



6" SLOPE CEILING LED - 1400 LUMENS IC NEW CONSTRUCTION HOUSING

Project: _____

Fixture Type: _____

Location: _____

Contact/Phone: _____

STANDARD SLOPE:

2/12 TO 6/12 PITCH (9° TO 27°)



**IC926LED (G4 14LM)
LENSED TRIMS**

PRODUCT DESCRIPTION

Dedicated LED, Air-Loc® sealed slope ceiling new construction housing with integral light engine • IC rated construction housing can be completely covered with insulation • Fully sealed housing stops infiltration and exfiltration of air, reducing heating and air cooling costs without the use of additional gaskets • LED housing is designed to provide 50,000 hours of life and is compatible with standard Juno trims • 5 year limited warranty on LED components.

ENVIRONMENTALLY FRIENDLY, ENERGY EFFICIENT

- No harmful ultraviolet or infrared wavelengths
- No lead or mercury
- Comparable light output to 32W compact fluorescent

PRODUCT SPECIFICATIONS

LED Light Engine Extruded heat sink and cast aluminum slider plate integrated directly with housing provides superior thermal management to ensure the long life of the LED • Replaceable light engine mounts directly to slider plate and incorporates the latest generation, high lumen output LED array • LEDs are binned within a 3-step MacAdam Ellipse exceeding ENERGY STAR® requirements for superior fixture to fixture color uniformity • 2700K, 3000K, 3500K, or 4000K color temperatures available • 90 CRI minimum.

Optical System Computer-optimized internal reflector with specular finish coupled with a high transmission diffusing lens conceals the LEDs and produces uniform aperture luminance

- Adjustable slider plate to position LEDs/reflector perpendicular to floor
- Plate includes 1/4" adjustment indicators for consistent alignment.

Aesthetic Trim Selections Compatible with a selection of existing Juno trims • Trims are wet location approved for covered ceiling applications.

LED Driver Choice of dedicated 120 volt (120) driver or universal voltage (MVOLT) drivers that accommodate input voltages from 120-277 volts AC at 50-60Hz • Power factor > 0.9 at 120V input • 120 volt only driver dimmable with the use of most incandescent, magnetic low voltage and electronic low voltage wall box dimmers • Universal voltage drivers are dimmable with the use of most 0-10V wall dimmers • For a list of compatible dimmers, see [JUNOICLED-DIM](#) • Mounted inside housing on a removable J-box cover for ease of maintenance.

Life Rated for 50,000 hours at 70% lumen maintenance.

Labels UL listed for U.S. and Canada, through-branch wiring and wet locations (covered ceilings) • Union made • UL and cUL listed.

Testing All reports are based on published industry procedures; field performance may differ from laboratory performance.

Specifications subject to change without notice.

HOUSING FEATURES

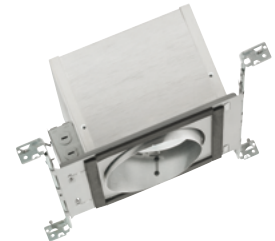
Housing Designed for use in IC (insulated ceiling) or non-IC construction • .032" aluminum housing sealed for Air-Loc compliance • Access door for junction box accessibility

- Inner skirt is vertically adjustable to accommodate up to a 1" ceiling thickness.

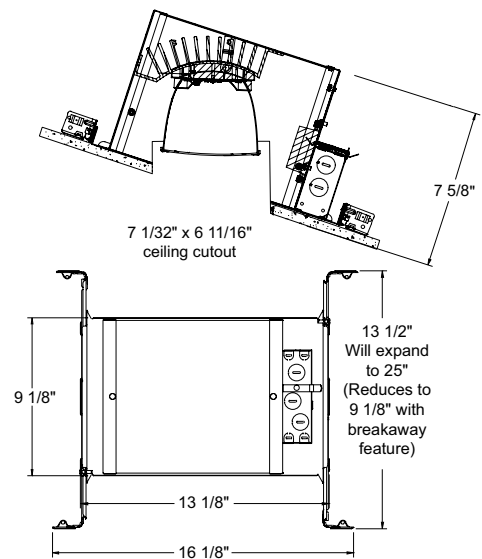
Junction Box Pre-wired junction box provided with (6) 1/2" and (1) 3/4" knockouts, (4) non-metallic sheathed cable connectors and ground wire, UL and cUL listed for through-branch wiring, maximum 8 #12 branch circuit conductors • Junction box provided with removable access plates • Knockouts equipped with pryout slots • Push-in electrical connectors supplied as standard for fast, secure installation.

Mounting Frame 22-gauge die-formed galvanized steel mounting frame • Rough-in section (junction box, mounting frame, housing and bar hangers) fully assembled for ease of installation.

Real Nail® 3 Bar Hangers Patented (US Patent D552,969) Real Nail® 3 bar hangers: telescoping system permits quick placement of housing anywhere within 24" O.C. joists or suspended ceilings • Includes removable nail for repositioning of fixture in wood joist construction • Integral T-bar mounting feature for suspended ceilings.



DIMENSIONS



6" SLOPE CEILING LED - 1400 LUMENS IC NEW CONSTRUCTION HOUSING

STANDARD SLOPE: 2/12 TO 6/12 PITCH (9° TO 27°)

IC926LED (G4 14LM) LENSED TRIMS

ELECTRICAL DATA

Dedicated 120V Only Driver Option (120 FRPC)

120V	
Input Power	17.4W (+/-5%)
Input Current	0.15A
Frequency	50/60Hz
EMI/RFI	FCC Title 47 CFR, Part 15, Class B (residential)
Minimum starting temp	-25°C

ELECTRICAL DATA

Universal Voltage

	MVOLT EZ10 and MVOLT EZ1		MVOLT ZT10 and MVOLT ZT1	
	120V	277V	120V	277V
Input Power	15.6W (+/-5%)	16.3W (+/-5%)	15.6W (+/-5%)	16.3W (+/-5%)
Input Current	0.13A	0.06A	0.13A	0.06A
Frequency	50/60Hz	50/60Hz	50/60Hz	50/60Hz
EMI/RFI	FCC Title 47 CFR, Part 15, Class B (residential)	FCC Title 47 CFR, Part 15, Class B (residential)	FCC Title 47 CFR, Part 15, Class B (residential)	FCC Title 47 CFR, Part 15, Class B (residential)
Minimum starting temp	-20°C	-20°C	-20°C	-20°C

ORDERING INFORMATION

Housing and trim can be ordered together or separate, but will always ship separately.

Example: IC926LED G4 14LM 27K 90CRI 120 FRPC

Series	Generation	Lumens	Color Temperature	CRI	Voltage/Driver
IC926LED 6" LED Slope Ceiling New Construction IC Hsg	G4 Generation 4	14LM 1400 Nominal Lumens	27K 2700K	90CRI 90+ CRI	120 FRPC 120V Forward/Reverse Phase Cut, 5% dim
			30K 3000K		MVOLT ZT10 Multi-Volt (120-277), 0-10V, 10% dim
			35K 3500K		MVOLT ZT1 Multi-Volt (120-277), 0-10V, 1% dim
			40K 4000K		MVOLT EZ10 Multi-Volt (120-277), eldoLED 0-10V, 10% dim
					MVOLT EZ1 Multi-Volt (120-277), eldoLED 0-10V, 1% dim



A+ Capable options indicated
by this color background

Trim/Description



6330 BWH
6330 WWH

6" Lensed Baffle with Regressed Frosted Dome Lens Trim - Black Baffle, White Trim Ring
6" Lensed Baffle with Regressed Frosted Dome Lens Trim - White Baffle, White Trim Ring

UL Listed for use in wet location.

Trim Size: 7 5/8" O.D.

Note: In Canada when insulation is present, Type IC fixtures must be used.

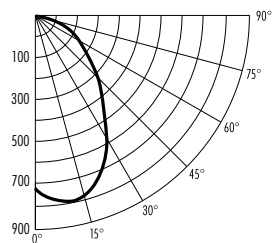
PHOTOMETRIC REPORT

Test Report #: PT10141607R

Catalog No: IC926LED G4 14LM 35K 90CRI
120 with 6330 WWH Trim

Luminaire Spacing Criterion: 1.22

Luminaire LPW: 63



CANDLEPOWER DISTRIBUTION (Candelas)

Degrees Vertical	0°
0	720
5	774
10	797
15	786
20	742
25	677
30	594
35	502
40	408
45	324
50	252
55	195
60	151
65	114
70	84
75	59
80	37
85	17
90	0

AVERAGE INITIAL FOOTCANDLES

Multiple Units (Square Array, 60' x 60' room)

Ceiling 80% Wall 50% Floor 20%

Spacing	RCR1	RCR3	RCR5
4.0'	73	58	48
5.0'	47	37	31
6.0'	32	26	21
7.0'	26	21	17
8.0'	21	17	14
9.0'	16	13	10
10.0'	12	9	8

ZONAL LUMEN SUMMARY

Zone	Lumens	%Lamp	%Fixture
0-30°	453	N/A	41.2
0-40°	657	N/A	59.7
0-60°	948	N/A	86.2
0-90°	1100	N/A	100.0

INITIAL FOOTCANDLES

(One Unit, 17.4W, 59.6° Beam)

Distance to Illuminated Plane (Feet)	Footcandles Beam Center	Beam Diameter
4	49.8	4.6'
6	22.1	6.9'
8	12.5	9.2'
10	8.0	11.5'

LUMINANCE

(Average cd/m²)

Degrees	Average Luminance
45	27244
55	20247
65	16072
75	13564
85	11630