



Project: \_\_\_\_\_

Fixture Type: \_\_\_\_\_

Location: \_\_\_\_\_

Contact/Phone: \_\_\_\_\_

# 4" IC 600 LUMEN LED DOWNLIGHT NEW CONSTRUCTION

IC 1 LED (G4 06LM) RECESSED HOUSING

**OPEN TRIMS**

## PRODUCT DESCRIPTION

Dedicated LED, Air-Loc® sealed new construction housing with integral light engine • Double wall, shallow housing construction allows for fit in 2 x 6 construction • Can be completely covered with insulation • Fully sealed housing stops infiltration and exfiltration of air, reducing heating and air cooling costs without the use of additional gaskets • LED housing is designed to provide 50,000 hours of life and is compatible with many standard Juno trims • 5 year limited warranty on LED components.

## ENVIRONMENTALLY FRIENDLY, ENERGY EFFICIENT

- No harmful ultraviolet or infrared wavelengths
- No lead or mercury, RoHS compliant
- Comparable light output to 65W incandescent

## PRODUCT SPECIFICATIONS

**LED Light Engine** LED array attached to high purity aluminum, thermally conductive inner housing provides superior heat transfer to ensure long life of the LED • Replaceable light engine mounts directly to inner housing assembly and incorporates the latest generation, high lumen output LED array • LEDs are binned within a 3-step MacAdam Ellipse exceeding ENERGY STAR® requirements for superior fixture to fixture color uniformity • 2700K, 3000K, 3500K, or 4000K color temperatures available • 90 CRI minimum.

**Optical System** Computer-optimized reflector design with high reflectance finish coupled with a high transmission diffusing lens conceals the LEDs and produces uniform aperture luminance.

**Aesthetic Trim Selections** Compatible with wide selection of existing Juno trims • Shadow free, knife edge design blends seamlessly into ceiling.

**LED Driver** Choice of dedicated 120 volt (120) driver or universal voltage (MVOLT) drivers that accommodate input voltages from 120-277 volts AC at 50/60Hz • Power factor > 0.9 at 120V input • 120 volt only driver is dimmable with the use of most incandescent, magnetic low voltage and electronic low voltage wall box dimmers • Universal voltage drivers are dimmable with the use of most 0-10V wall box dimmers • For a list of compatible dimmers, see [JUNOICLED-DIM](#) • Mounted inside housing for easy access from below ceiling.

**Life** Rated for 50,000 hours at 70% lumen maintenance.

**Labels** ENERGY STAR® Certified when used with select trims • Certified to the high efficacy requirements of California T24 JA8-2016 with select trims • UL listed for U.S. and Canada through-branch wiring, damp locations • Union made • UL and cUL • CP option is compatible with spray foam insulation with an R-value of 3.2 per inch or less.

**Testing** All reports are based on published industry procedures; field performance may differ from laboratory performance.

Specifications subject to change without notice.

## HOUSING FEATURES

**Housing** Designed for use in IC (insulated ceiling) or non-IC construction • Aluminum housing sealed for Air-Loc® compliance • Housing is vertically adjustable to accommodate up to a 1 1/2" ceiling thickness.

**Junction Box** Pre-wired junction box provided with (6) 1/2" and (1) 3/4" knockouts, (4) knockouts for 12/2 or 14/2 NM cable and ground wire • UL listed and cUL listed for through-branch wiring, maximum 6 #12 branch circuit conductors • Junction box provided with removable access plates • Knockouts equipped with pryout slots • Quick connect electrical connectors supplied as standard for fast, secure installation.

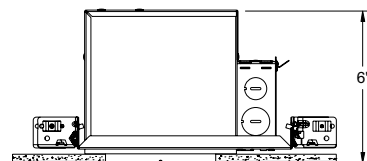
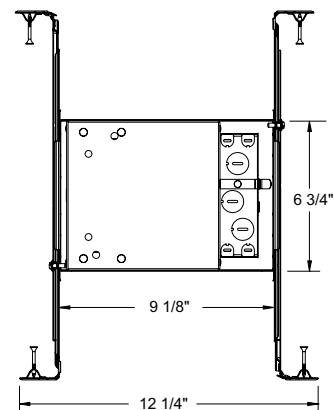
**Mounting Frame** 22-gauge die-formed galvanized steel mounting frame • Rough-in section (junction box, mounting frame, housing and bar hangers) fully assembled for ease of installation.

**Real Nail 3 Bar Hangers** Telescoping Real Nail® 3 system permits quick placement of housing anywhere within 24" O.C. joists or suspended ceilings • Includes removable nail for repositioning of fixture in wood joist construction • Integral T-bar notch and clip for suspended ceilings • Design covered under US Patent D552,969.

\* Nominal input wattage @ 120-volt operation with dedicated 120-volt driver under stable operating conditions.



## DIMENSIONS



4 1/2" CEILING CUTOUT

# 4" IC 600 LUMEN LED DOWNLIGHT NEW CONSTRUCTION

IC1 LED (G4 06LM) RECESSED HOUSING  
**OPEN TRIMS**

## ELECTRICAL DATA

Dedicated 120V Only Driver Option (120 FRPC)

120V	
Input Power	8.6W (+/-5%)
Input Current	0.07A
Frequency	50/60Hz
EMI/RFI	FCC Title 47 CFR, Part 15, Class B (residential)
Minimum starting temp	-25°C

## ELECTRICAL DATA

Universal Voltage

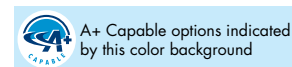
	MVOLT EZ10 and EZ1		MVOLT ZT10 and ZT1	
	120V	277V	120V	277V
Input Power	8.3W (+/-5%)	8.9W (+/-5%)	8.3W (+/-5%)	8.9W (+/-5%)
Input Current	0.07A	0.03A	0.07A	0.03A
Frequency	50/60Hz	50/60Hz	50/60Hz	50/60Hz
EMI/RFI	FCC Title 47 CFR, Part 15, Class B (residential)	FCC Title 47 CFR, Part 15, Class B (residential)	FCC Title 47 CFR, Part 15, Class B (residential)	FCC Title 47 CFR, Part 15, Class B (residential)
Minimum starting temp	-20°C	-20°C	-20°C	-20°C

## ORDERING INFORMATION

Housing and trim can be ordered together or separate, but will always ship separately.

Example: IC1LED G4 06LM 27K 90CRI 120 FRPC

Series	Generation	Lumens	Color Temperature	CRI	Voltage/Driver	Territory
IC1LED 4" LED IC New Construction Downlight	G4 Generation 4	06LM 600 Nominal Lumens	27K 2700K	90CRI 90+ CRI	120 FRPC 120V Forward/Reverse Phase Cut, 5% dim	CP Chicago Plenum
			30K 3000K		MVOLT ZT10 Multi-Volt (120-277), 0-10V, 10% dim	
			35K 3500K		MVOLT ZT1 Multi-Volt (120-277), 0-10V, 1% dim	
			40K 4000K		MVOLT EZ10 Multi-Volt (120-277), eledLED 0-10V, 10% dim	
					MVOLT EZ1 Multi-Volt (120-277), eledLED 0-10V, 1% dim	



## Trim/Description

	<b>13 WH</b>	4" Downlight Pinhole with Integral Shield Trim - White		<b>4103 FROSTSC<sup>1</sup></b>	4" Decorative Beveled Cylinder Trim - Frosted Glass, Satin Chrome Trim Ring
	<b>14 BABZ<sup>1</sup></b>	4" Downlight Baffle Trim - Black Baffle, Classic Aged Bronze Trim Ring		<b>4103 FROSTWH<sup>1</sup></b>	4" Decorative Beveled Cylinder Trim - Frosted Glass, White Trim Ring
	<b>14 BBL<sup>1</sup></b>	4" Downlight Baffle Trim - Black Baffle, Black Trim Ring		<b>4104 HZSC</b>	4" Decorative Beveled Cone Trim - Haze Cone, Satin Chrome Trim Ring
	<b>14 BSC<sup>1</sup></b>	4" Downlight Baffle Trim - Black Baffle, Satin Chrome Trim Ring		<b>4104 WHZABZ</b>	4" Decorative Beveled Cone Trim - Wheat Haze, Classic Aged Bronze Trim
	<b>14 BWH<sup>1</sup></b>	4" Downlight Baffle Trim - Black Baffle, White Trim Ring		<b>4150 MESHSC</b>	4" Decorative Glass Cylinder Trim - Mesh Glass, Satin Chrome Trim Ring
	<b>14 WWH</b>	4" Downlight Baffle Trim - White Baffle, White Trim Ring			
	<b>17 BWH</b>	4" Downlight Cone Trim - Black Cone, White Trim Ring			
	<b>17 CWH</b>	4" Downlight Cone Trim - Clear Alzak® Cone, White Trim Ring			
	<b>17 GWH</b>	4" Downlight Cone Trim - Gold Cone, White Trim Ring			
	<b>17 HZWH</b>	4" Downlight Cone Trim - Haze Cone, White Trim Ring			
	<b>17 PTSC</b>	4" Downlight Cone Trim - Pewter Cone, Satin Chrome Trim Ring			
	<b>17 WHZABZ</b>	4" Downlight Cone Trim - Wheat Haze Cone, Classic Aged Bronze Trim Ring			
	<b>17 WHZWH</b>	4" Downlight Cone Trim - Wheat Haze Cone, White Trim Ring			
	<b>17 WWH</b>	4" Downlight Cone Trim - White Cone, White Trim Ring			

Trim Size: 5" O.D.

Alzak is a registered trademark of Alcoa Corp.

Note: In Canada when insulation is present, Type IC fixtures must be used.

<sup>1</sup> Multi-Volt: T24 @ 30K, 35K, 40K only

# 4" IC 600 LUMEN LED DOWNLIGHT NEW CONSTRUCTION

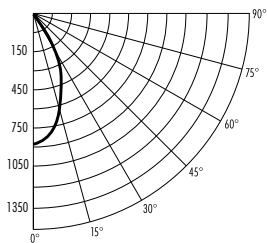
IC1LED (G4 06LM) RECESSED HOUSING  
OPEN TRIMS

## PHOTOMETRICS

### PHOTOMETRIC REPORT

Test Report #: PT02141303R  
Catalog No: IC1LED G4 06LM 35K  
90CRI 120 with 14 WWH Trim

Luminaire Spacing Criterion: 0.72  
Luminaire LPW: 77



### CANDLEPOWER DISTRIBUTION (Candelas)

Degrees	Vertical	0°
0	1055	
5	1026	
15	791	
25	425	
35	146	
45	38	
55	16	
65	7	
75	5	
85	0	
90	0	

Multiplier: 27K - 0.89  
30K - 0.94  
40K - 1.03

### AVERAGE INITIAL FOOTCANDLES

Multiple Units (Square Array, 60'x60' room)  
Ceiling 80% Wall 50% Floor 20%

Spacing	RCR1	RCR3	RCR5
4.0'	46	40	35
5.0'	29	26	23
6.0'	20	18	16
7.0'	17	14	13
8.0'	13	11	10
9.0'	10	9	8
10.0'	7	6	6

### INITIAL FOOTCANDLES (One Unit, 8.6W , 44.2° Beam)

Distance to Illuminated Plane (Feet)	Footcandles Beam Center	Beam Diameter
4	65.9	3.2'
6	29.3	4.9'
8	16.5	6.5'
10	10.6	8.1'

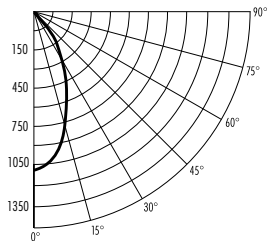
### LUMINANCE (Average cd/m<sup>2</sup>)

Degrees	Average Luminance
45	8859
55	4517
65	2855
75	2880
85	1425

### PHOTOMETRIC REPORT

Test Report #: LTL26327R  
Catalog No: IC1LED G4 06LM 35K  
90CRI 120 with 17 CWH Trim

Luminaire Spacing Criterion: 0.70  
Luminaire LPW: 81



### CANDLEPOWER DISTRIBUTION (Candelas)

Degrees	Vertical	0°
0	1072	
5	1054	
15	785	
25	441	
35	181	
45	59	
55	18	
65	0	
75	0	
85	0	
90	0	

Multiplier: 27K - 0.89  
30K - 0.94  
40K - 1.03

### AVERAGE INITIAL FOOTCANDLES

Multiple Units (Square Array, 60'x60' room)  
Ceiling 80% Wall 50% Floor 20%

Spacing	RCR1	RCR3	RCR5
4.0'	48	42	37
5.0'	31	27	24
6.0'	22	19	16
7.0'	17	15	13
8.0'	14	12	11
9.0'	11	9	8
10.0'	8	7	6

### INITIAL FOOTCANDLES (One Unit, 8.6W , 43.9° Beam)

Distance to Illuminated Plane (Feet)	Footcandles Beam Center	Beam Diameter
4	67.0	3.2'
6	29.8	4.8'
8	16.8	6.4'
10	10.7	8.1'

### LUMINANCE (Average cd/m<sup>2</sup>)

Degrees	Average Luminance
45	13321
55	5080
65	766
75	0
85	0

Fixtures tested to IES recommended standard for solid state lighting per LM-79-08. Photometric performance on a single unit represents a baseline of performance for the fixture. Results may vary in the field.