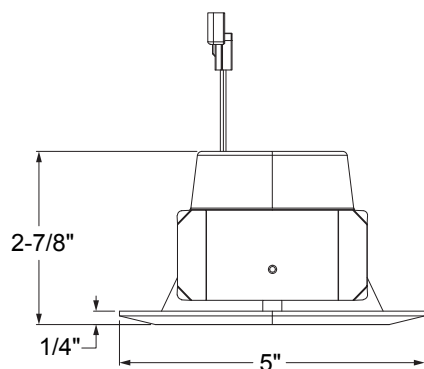


JUNO[®]**RLD Series LED Downlight Retrofit**

4" LED Retrofit Baffle Trim Module

4RLD G4 Series**Dimensions**

Ships with:

**E26 Adapter**

Project:
Fixture Type:
Location:
Contact/Phone:

Product Features

The 4" RLD LED module provides an affordable means to create a well lit environment with exceptional energy efficiency and near zero maintenance. Great for retrofit into existing downlight cans or for use in new construction and remodel applications. The LED module maintains at least 70% light output for 50,000 hours.

- Durable die-cast aluminum all-in-one design replaces traditional lamp and trim for energy savings
- Crisp baffle grooves and deep source regression minimizes glare and ceiling brightness
- Dedicated 4" trim size provides proper scale and aesthetics to replace 4" legacy trims with minimal flange thickness

Applications

- Retrofit into existing downlight cans or use as an economical LED solution for new construction downlighting in residential and light commercial applications
- Push-in friction springs are pre-installed for ease of installation and designed to fit into most 4" compatible recessed housings
- Wet rated and air-loc: perfect for showers and bathrooms

Performance

Delivered Lumens	Nominal 600L or 900L
LED Color Temperature	2700K, 3000K
CRI	90+
Voltage	Dedicated 120V
Dimming	Dimmable flicker-free dimming from 100% to 5%

For a list of compatible dimmers see [JUNORETROBASICS-DIM](#)

Specifications

Aperture:	4"
Ceiling opening:	4.25"
Overlap trim:	5"
Height:	2.875"



RLD Series LED Downlight Retrofit

4" LED Retrofit Baffle Trim Module



ORDERING INFORMATION

Downlight

Example: 4RLD G4 06LM 27K 90CRI 120 FRPC WWH

Trim Series	Generation	Lumens	Color Temperature	Color Rendering Index	Voltage	Driver	Finish
4RLD 4" Juno Retrofit Downlight	G4 Generation 4	06LM 600 Nominal Lumens 09LM 900 Nominal Lumens	27K 2700K 30K 3000K	90CRI 90+ CRI	120 120V	FRPC Forward/Reverse Phase Cut	WWH White, White Trim Ring

Housing options : Order as separate catalog number.

QC4	Quick Connect 4" LED new construction downlight
QC4R	Quick Connect 6" LED Remodel Downlight
IC1	4" new construction housing
IC1FW LEDT24	4" fire-rated dedicated LED new construction housing
L3	4" new construction housing
L3R	4" remodel housing

Accessories: Order as separate catalog number.

LEDRETROWHIP	Replacement E26 screw base adapter for installation into incandescent housings
---------------------	--



RLD Series LED Downlight Retrofit

4" LED Retrofit Baffle Trim Module



Specifications

LED Downlight Retrofit Trim

Cast aluminum trim with white baffle and flange. All-in-one design where LED light engine mounts directly to trim for ease of installation into existing 4" recessed housings with medium base sockets • Provided with push-in friction springs.

LED Light Engine

LEDs mounted directly to aluminum housing designed to provide superior thermal management and ensure long life • 2700K and 3000K, LED color temperature • 90 CRI minimum • Accommodates 120 volts AC at 60Hz • Dimmable with most standard incandescent, magnetic low voltage and electronic low voltage dimmers • For a list of compatible dimmers, see [JUNORETROBASICS-DIM](#).

Electrical Connections

Trim features quick connect plug installed as standard for installation into QC4 and QC4R housings with mating connector • Trim ships as standard with a medium base socket adapter whip for installation into 4" incandescent housings with medium base sockets.

Trim

Cast aluminum baffle trim with white finish • Diffusing lens conceals the LEDs from direct view and provides uniform aperture luminance.

Life

Rated for 50,000 hours at 70% lumen maintenance.

Labels

ENERGY STAR® Certified • Can be used to comply with 2019 Title 24, Part 6, JA8 high efficacy LED light source requirements • T20 Certified • UL and cUL classified for use with most standard UL listed 4" recessed incandescent housings and Juno QC4 and QC4R; see below for specific compatibility requirements • Damp location • Suitable for wet locations (indoor covered ceilings).

Testing

All reports are based on published industry procedures; field performance may differ from laboratory performance.

Warranty 5-year limited warranty. This is the only warranty provided and no other statements in this specification sheet create any warranty of any kind. All other express and implied warranties are disclaimed. Complete warranty terms located at: www.acuitybrands.com/support/warranty/terms-and-conditions

Note: Actual performance may differ as a result of end-user environment and application.

All values are design or typical values, measured under laboratory conditions at 25 °C.

Specifications subject to change without notice.

PERFORMANCE DATA

	600L		900L	
	27K	30K	27K	30K
Input Voltage	120V	120V	120V	120V
Input Power Typical	8W	8W	12W	12W
Frequency	60Hz	60Hz	60Hz	60Hz
EMI/RFI	FCC Title 47, Part 15 Class B (consumer)	FCC Title 47, Part 15 Class B (consumer)	FCC Title 47, Part 15 Class B (consumer)	FCC Title 47, Part 15 Class B (consumer)
Minimum Starting Temp	-30°C (-22°F)	-30°C (-22°F)	-30°C (-22°F)	-30°C (-22°F)
CRI	90 min.	90 min.	90 min.	90 min.
CCT	2700K	3000K	2700K	3000K



RLD Series LED Downlight Retrofit

4" LED Retrofit Baffle Trim Module



PHOTOMETRICS

Distribution Curve

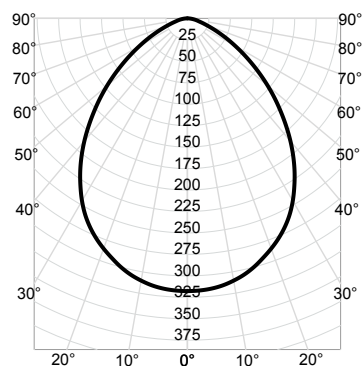
Distribution Data

Output Data

Coefficient of Utilization

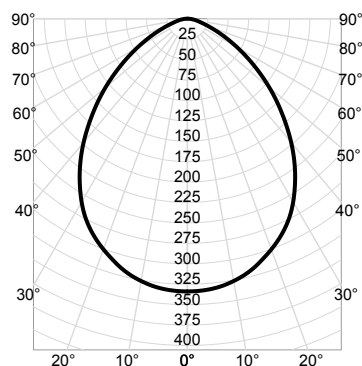
Illuminance Data at 30" Above Floor for a Single Luminaire

4RLD G4 06LM 27K 90CRI WWH, Input Watts: 7.6, Delivered Lumens: 637, LPW: 83.8, S/MH: 1.15, Test No: 20-774



0°	CP Summary				Zonal Lumen Summary				Coefficients of Utilization										Cone of Light			Luminance (cd/sq.m)	
	Zone	Lumens	% Fixture		pf	80%			20% 70%			50%				Mounting Height	Initial FC Center Beam	Beam Diameter	Average Luminance				
					pc	50%	30%	10%	50%	30%	10%	50%	30%	10%									
0°	318	0° - 30°	238	37%	0	119	119	119	116	116	116	111	111	111	6.0	8.8	11.7	0°	51,789				
5°	316	0° - 40°	373	59%	1	107	103	100	105	101	99	100	98	96	8.0	5.0	15.6	45°	35,491				
15°	300	0° - 60°	574	90%	2	95	90	85	94	88	84	90	86	82	10.0	3.2	19.5	55°	26,025				
25°	268	0° - 90°	637	100%	3	86	79	73	84	78	72	81	76	71	12.0	2.2	23.4	65°	16,195				
35°	218	90° - 180°	0	0%	4	77	69	63	76	69	63	73	67	62	14.0	1.6	27.3	75°	9,130				
45°	154	0° - 180°	637	100%	5	70	62	56	69	61	56	67	60	55	Beam Angle: 88.5°			85°	7,105				
55°	92	Field Angle: 135.6°																					
65°	42																						
75°	15																						
85°	4																						
90°	0																						

4RLD G4 06LM 30K 90CRI WWH, Input Watts: 7.6, Delivered Lumens: 678, LPW: 89.2, S/MH: 1.15, Test No: 20-1027-1



0°	CP Summary				Zonal Lumen Summary				Coefficients of Utilization										Cone of Light			Luminance (cd/sq.m)	
	Zone	Lumens	% Fixture		pf	80%			20% 70%			50%				Mounting Height	Initial FC Center Beam	Beam Diameter	Average Luminance				
					pc	50%	30%	10%	50%	30%	10%	50%	30%	10%									
0°	334	0° - 30°	250	37%	0	119	119	119	116	116	116	111	111	111	6.0	9.3	11.8	0°	54,413				
5°	332	0° - 40°	393	58%	1	107	103	100	105	101	98	100	98	95	8.0	5.2	15.7	45°	37,704				
15°	316	0° - 60°	608	90%	2	95	89	85	93	88	84	90	86	82	10.0	3.3	19.7	55°	28,127				
25°	283	0° - 90°	678	100%	3	85	78	73	84	77	72	81	75	71	12.0	2.3	23.6	65°	17,969				
35°	230	90° - 180°	0	0%	4	77	69	63	75	68	63	73	67	62	14.0	1.7	27.5	75°	10,200				
45°	164	0° - 180°	678	100%	5	69	61	55	68	61	55	66	60	55	Beam Angle: 89.0°			85°	7,853				
55°	99	Field Angle: 136.8°																					
65°	47																						
75°	16																						
85°	4																						
90°	0																						



RLD Series LED Downlight Retrofit

4" LED Retrofit Baffle Trim Module



PHOTOMETRICS

Distribution Curve

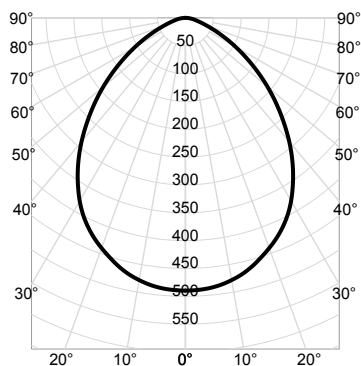
Distribution Data

Output Data

Coefficient of Utilization

Illuminance Data at 30" Above Floor for a Single Luminaire

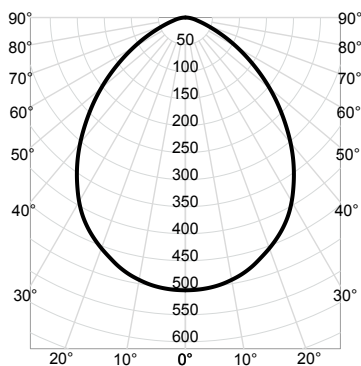
4RLD G4 09LM 27K 90CRI WWH, Input Watts: 11.7, Delivered Lumens: 995, LPW: 85.0, S/MH: 1.15, Test No: 20-1027-2



CP Summary		Zonal Lumen Summary				Coefficients of Utilization										Cone of Light			Luminance (cd/sq.m)	
0°	Zone	Lumens	% Fixture	pf	pc	80%		20%		70%		50%		Mounting Height	Initial FC Center Beam	Beam Diameter	Average Luminance			
				pw	50%	30%	10%	50%	30%	10%	50%	30%	10%							
0°	0° - 30°	367	37%	0	119	119	119	116	116	116	111	111	111	6.0	13.6	11.8	0°	79,818		
5°	0° - 40°	577	58%	1	107	103	100	105	101	98	100	98	95	8.0	7.7	15.8	45°	55,449		
15°	0° - 60°	893	90%	2	95	90	85	93	88	84	90	86	82	10.0	4.9	19.7	55°	41,424		
25°	0° - 90°	995	100%	3	85	78	73	84	77	72	81	75	71	12.0	3.4	23.6	65°	26,182		
35°	90° - 180°	0	0%	4	77	69	63	75	68	63	73	67	62	14.0	2.5	27.6	75°	14,859		
45°	0° - 180°	995	100%	5	69	61	55	68	61	55	66	60	55				85°	11,593		
55°		146		6	63	55	49	62	55	49	61	54	49							
65°		68		7	58	50	44	57	49	44	55	49	44							
75°		24		8	53	45	40	52	45	40	51	44	39							
85°		6		9	49	41	36	48	41	36	47	41	36							
90°		0		10	45	38	33	45	38	33	44	37	33							

Beam Angle: 89.1°
Field Angle: 136.7°

4RLD G4 09LM 30K 90CRI WWH, Input Watts: 11.8, Delivered Lumens: 1038, LPW: 88.0, S/MH: 1.15, Test No: 21-009-1



CP Summary		Zonal Lumen Summary				Coefficients of Utilization										Cone of Light			Luminance (cd/sq.m)	
0°	Zone	Lumens	% Fixture	pf	pc	80%		20%		70%		50%		Mounting Height	Initial FC Center Beam	Beam Diameter	Average Luminance			
				pw	50%	30%	10%	50%	30%	10%	50%	30%	10%							
0°	0° - 30°	379	36%	0	119	119	119	116	116	116	111	111	111	6.0	14.0	12.0	0°	82,247		
5°	0° - 40°	597	57%	1	107	103	100	105	101	98	100	98	95	8.0	7.9	16.0	45°	58,215		
15°	0° - 60°	930	90%	2	95	89	85	93	88	84	90	85	82	10.0	5.0	20.0	55°	44,038		
25°	0° - 90°	1,038	100%	3	85	78	72	84	77	72	81	75	71	12.0	3.5	24.0	65°	27,840		
35°	90° - 180°	0	0%	4	77	69	63	75	68	62	73	67	62	14.0	2.6	28.0	75°	15,426		
45°	0° - 180°	1,038	100%	5	69	61	55	68	61	55	66	59	54				85°	11,967		
55°		155		6	63	55	49	62	54	49	60	53	48							
65°		72		7	58	49	44	57	49	44	55	48	43							
75°		25		8	53	45	40	52	45	39	51	44	39							
85°		6		9	49	41	36	48	41	36	47	40	36							
90°		0		10	45	38	33	45	38	33	44	37	33							

Beam Angle: 90.0°
Field Angle: 137.1°