

JUNO®

Project: _____

Fixture Type: _____

Location: _____

Contact/Phone: _____

6" BASICS SERIES™ LED RETROFIT ADJUSTABLE TRIM

ADJUSTABLE RETROFIT FOR STANDARD 6" RECESSED HOUSINGS

6RLA G2 06LM



PRODUCT DESCRIPTION

Energy efficient LED retrofit adjustable trim fits into standard 6" IC or non-IC recessed housings • Replaces 65W incandescent lamp, producing over 650 lumens • Adjustable gimbal design allows for up to 35° vertical aiming, rotates 359° • Dimmable with most standard incandescent, magnetic low voltage and electronic low voltage dimmers • LED retrofit module is designed to provide 50,000 hours of life • 5 year warranty

PRODUCT SPECIFICATIONS

LED Retrofit Adjustable Trim Cast aluminum trim with white gimbal and flange • All-in-one design where LED light engine mounts directly to trim for ease of installation into existing 6" recessed housings with medium base sockets • Up to 35° vertical adjustment, rotates 359° • Provided with torsion springs.

LED Light Engine LEDs are mounted directly to cast aluminum housing providing superior thermal management to ensure long life • 2700K or 3000K LED color temperature • 90 CRI minimum • Accommodates 120 volts AC at 60Hz • Dimmable with most standard incandescent, magnetic low voltage and electronic low voltage dimmers • For a list of compatible dimmers, see [JUNORETROBASICS-DIM](#).

Electrical Connections Trim features quick connect plug installed as standard for installation into QC6 and QC6R housings with mating connector • Trim ships as standard with a medium base socket adapter whip for installation into 6" incandescent housings with medium base sockets • Product shipping to California does not include medium base socket adapter (L/SKTWHIP).

Optical System Trims are offered with choice of 25° narrow flood or 85° wide flood beam patterns • Ships without E26 screw base socket adapter with L/SKTWHIP option • LED source concealed with lensed optic.

Life Rated for 50,000 hours at 70% lumen maintenance.

Labels ENERGY STAR® Certified • Certified to the high efficacy requirements of California T24 • UL and cUL classified for use with most standard UL listed 6" recessed incandescent housings and Juno QC6 and QC6R; see below for specific compatibility requirements • Damp location.

Testing All reports are based on published industry procedures; field performance may differ from laboratory performance.

Note: Actual performance may differ as a result of end-user environment and application.

Specifications subject to change without notice.

INSTALLATION

The LED retrofit adjustable trim is provided with torsion springs as standard. Accessory kit available for use in housings that do not have torsion spring retaining brackets.

COMPATIBLE HOUSINGS

The 6RLA retrofit module is compatible with most 6" recessed housings measuring at least 4" high with an inside diameter between 6 1/8" and 7". Removal of the housing socket plate or socket mounting bracket may be required in order for the trim to fit properly.

Compatible housings include, but not limited to:

Juno housings: IC2, IC21, IC22, IC23 and TC2 Series

Juno quick-connect LED housings: QC6 and QC6R

Lithonia® housings: L7X and LC6 Series

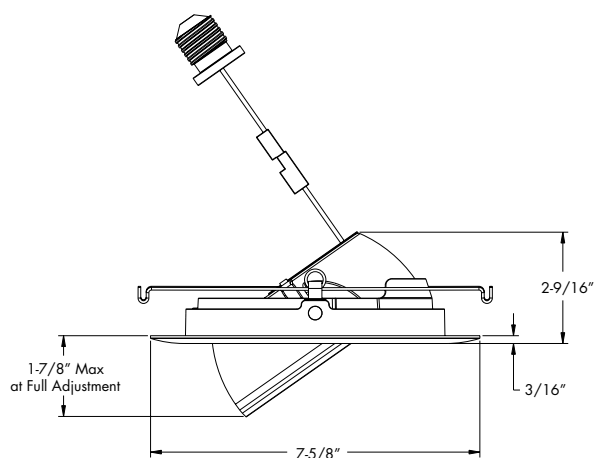
Halo® housings: E7 Series

Thomas® housings: PS1 and PS3 Series

Capri® housings: CR1, PR1, QL6 Series, P9ASIC Series



DIMENSIONS



PERFORMANCE DATA

	27K	30K
Input Voltage	120V	120V
Input Power Typical	10.5W	10.5W
Frequency	60Hz	60Hz
EMI/RFI	FCC Title 47, Part 15 Class B (consumer)	FCC Title 47, Part 15 Class B (consumer)
Minimum starting temp	-30°C (-22°F)	-30°C (-22°F)
CRI	90 min.	90 min.
CCT	2700K	3000K

ACCESSORIES

V6RLTRB Torsion receiver bracket kit to install trim into housings that do not have torsion receiver brackets.

Replacement E26 screw base adapter for installation into incandescent housings.

LEDRETROWHIP Unit Pack

LEDRETROWHIPJ10 Job pack 10 pcs

LEDRETROWHIP J25 Job pack 25 pcs

6" BASICS SERIES™ LED RETROFIT ADJUSTABLE TRIM

ADJUSTABLE RETROFIT FOR STANDARD 6"
RECESSED HOUSINGS

6RLA G2 06LM

ORDERING INFORMATION

Ordering Example: 6RLA G2 06LM 27K 90CRI NFL 120 FRPC WH

Series	Generation	Lumens	Color Temperature	Color Rendering Index
6RLA 6" Juno Basics Retrofit Adjustable	G2 Generation 2	06LM 600 Nominal Lumens	27K 2700K 30K 3000K	90CRI 90+ CRI

Distribution	Voltage	Driver	Finish	Options
NFL Narrow Flood WFL Wide Flood	120 120V	FRPC Forward/Reverse Phase Cut	WH White	L/SKTWHIP¹ Less Socket Whip (California only) E26 screw base adapter not included

Notes:

1 Required for shipments to California.

Paris perfectly with Juno housings for a complete downlight solution: Order housings as separate catalog number.

[QC6 Series](#) - New Construction Quick Connect LED Housing



[QC6R Series](#) - Remodel Quick Connect LED Housing



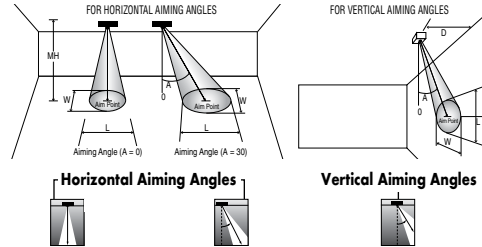
6" BASICS SERIES™ LED RETROFIT ADJUSTABLE TRIM

ADJUSTABLE RETROFIT FOR STANDARD 6" RECESSED HOUSINGS

6RLA G2 O6LM

CBCP • Centerbeam candlepower
FC • Footcandles at beam center (aim point)

In vertical aiming applications, aim point (X) is determined by dividing distance from the wall (D) by the tangent of the desired aim angle (A) (0.5774 for 30°, 1.0 for 45°).

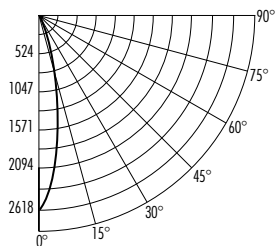


FIXTURE	Beam Type	Beam Spread°	CBCP	0°			30°			30°									
				MH	FC	L	W	FC	L	W	D	FC	X	L	W				
With Wide Flood Optic	WFL	85°	405	3	45	5.5	5.5	29	10.2	6.3	1	51	1.7	*	3.7				
				4	25	7.3	7.3	16	13.6	8.5	2	13	3.5	*	7.3				
				5	16	9.2	9.2	11	17.0	10.6	3	6	5.2	*	11.0				
				6	11	11.0	11.0	7	20.4	12.7	4	3	6.9	*	14.7				
				7	8	12.8	12.8	5	23.8	14.8	5	2	8.7	*	18.3				
				With Narrow Flood Optic	NFL	25°	2618	3	291	1.3	1.3	189	1.8	1.5	1	327	1.7	2.1	0.9
								4	164	1.8	1.8	106	2.4	2.0	2	82	3.5	4.2	1.8
5	105	2.2	2.2					68	3.0	2.6	3	36	5.2	6.2	2.7				
6	73	2.7	2.7					47	3.6	3.1	4	20	6.9	8.3	3.5				
7	53	3.1	3.1					35	4.2	3.6	5	13	8.7	10.4	4.4				

*Covers full length of wall based on typical mounting heights of 8-12 feet.

PHOTOMETRIC REPORT

Test Report#: PT11150401R
Catalog No: 6RLA G2 O6LM 27K 90CRI NFL 120 FRPC WH
Luminaire Spacing Criteria: 0.40
Luminaire LPW: 67



CANDLEPOWER DISTRIBUTION (Candelas)

Degrees Vertical	0°
0	2618
5	2278
15	879
25	265
35	102
45	45
55	22
65	11
75	5
85	1
90	0

Multiplier: 3K - 1.03

AVERAGE INITIAL FOOTCANDLES

Multiple Units (Square Array, 60'x60' room)
Ceiling 80%, Walls 50%, Floors 20%

Spacing	RCR1	RCR3	RCR5
4'	49	44	39
5'	31	28	25
6'	22	19	17
7'	18	16	14
8'	14	12	11
9'	11	10	9
10'	8	7	6

ZONAL LUMEN SUMMARY

Zone	Lumens	%Lamp	%Fixture
0-30°	568	N/A	80.3
0-40°	634	N/A	89.6
0-60°	689	N/A	97.4
0-90°	707	N/A	100.0

INITIAL FOOTCANDLES

(One Unit: 10.5W, 23.2° Beam)

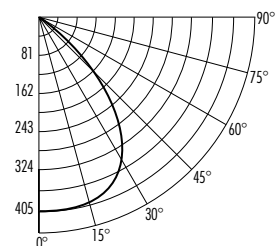
Distance to Illuminated Plane (Feet)	Footcandles Beam Center	Beam Diameter
4'	163.6	1.6
6'	72.7	2.5
8'	40.9	3.3
10'	26.2	4.1

LUMINANCE (Average cd/m²)

Angle in Degrees	Average 0-90°
45°	7957
55°	4731
65°	3358
75°	2645
85°	1000

PHOTOMETRIC REPORT

Test Report#: PT11150402R
Catalog No: 6RLA G2 O6LM 27K 90CRI WFL 120 FRPC WH
Luminaire Spacing Criteria: 1.26
Luminaire LPW: 70



CANDLEPOWER DISTRIBUTION (Candelas)

Degrees Vertical	0°
0	405
5	405
15	394
25	372
35	305
45	157
55	60
65	28
75	13
85	4
90	0

Multiplier: 3K - 1.03

AVERAGE INITIAL FOOTCANDLES

Multiple Units (Square Array, 60'x60' room)
Ceiling 80%, Walls 50%, Floors 20%

Spacing	RCR1	RCR3	RCR5
4'	49	40	33
5'	32	26	21
6'	22	18	15
7'	18	15	12
8'	14	11	10
9'	11	9	7
10'	8	6	5

ZONAL LUMEN SUMMARY

Zone	Lumens	%Lamp	%Fixture
0-30°	321	N/A	43.7
0-40°	508	N/A	69.3
0-60°	686	N/A	93.6
0-90°	733	N/A	100.0

INITIAL FOOTCANDLES

(One Unit: 10.5W, 84.2° Beam)

Distance to Illuminated Plane (Feet)	Footcandles Beam Center	Beam Diameter
4'	25.3	7.2
6'	11.3	10.8
8'	6.3	14.5
10'	4.1	18.1

LUMINANCE (Average cd/m²)

Angle in Degrees	Average 0-90°
45°	27989
55°	13151
65°	8335
75°	6541
85°	5427