



MINI LED GIMBAL

MG1LG2 (RD) RECESSED HOUSING AND TRIM

LOW VOLTAGE

Project: _____

Fixture Type: _____

Location: _____

Contact/Phone: _____

PRODUCT DESCRIPTION

The round MG1LG2 Mini LED recessed gimbal is IC rated for insulated or non-insulated applications • Sleek, compact form factor provides aimable accent lighting with performance that approximates the light output and distribution of 20W halogen lamps • Ideal for both residential and commercial limited space applications including niches, bookshelves, displays and cabinets • Remote mount Class 2 120V to 12V AC electronic or magnetic transformer required • Designed to provide 50,000 hours of life • 5 year limited warranty on LED components.

ENVIRONMENTALLY FRIENDLY, ENERGY EFFICIENT

- No harmful ultraviolet or infrared wavelengths
- No lead or mercury
- Comparable light output to 20W MR11 halogen lamps while consuming 5W

PRODUCT SPECIFICATIONS

LED Light Engine High performance, low power LEDs provide outstanding reliability, performance and color quality/consistency • 2700K, 3000K, 3500K or 4000K color temperatures available • 80 or 90 CRI minimum.

Optical System Fixtures are offered with a choice of spot, narrow flood or flood beam patterns • LED source concealed with lensed optic • Aimable gimbal design provides up to 30° off vertical adjustment and 360° rotation • Field replacement of optical lenses is NOT recommended.

Transformer Requires remote mount Class 2, 120V to 12V AC electronic or magnetic transformer for operation • Juno [TL602E](#) electronic transformer and [MAGXFMR](#) magnetic transformer are designed specifically for use with these fixtures.

Dimming May be dimmed with dimmers tested and qualified by Juno for use with [TL602E](#) and [MAGXFMR](#) – see transformer specifications for compatible dimmers • Color temperature remains constant over dimming range • Consult factory for additional information.

Life Rated for 50,000 hours at 70% lumen maintenance.

Labels UL Listed for indoor damp locations and daisy chaining • Union made • UL and cUL listed • RoHS compliant.

Testing All reports are based on published industry procedures; field performance may differ from laboratory performance.

Specifications subject to change without notice.

HOUSING FEATURES

Housing Designed for use in IC (insulated ceiling) or non-IC construction • If using in an IC application, it is recommended that the insulation be pulled away from the fixture due to adjustment feature • Die cast aluminum housing.

Wiring Compartment Provided with removable access plate • Four pole terminal block allows for quick, secure connection • UL /cUL listed for daisy chaining • Easy to wire with commonly available low voltage cable (Type CL2 or NEC Equivalent, 18-12 AWG). Consult local codes for compliant wiring methods.

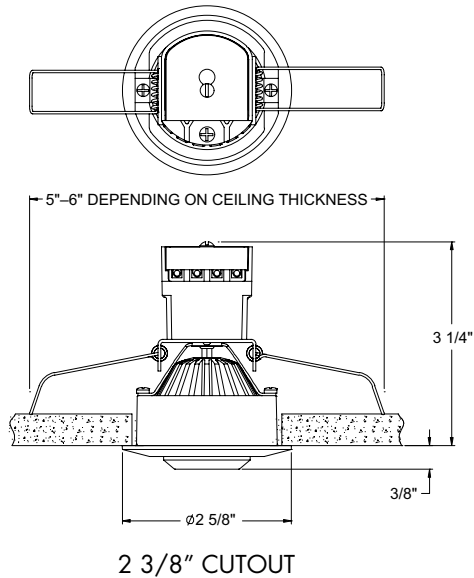
Mounting Tempered spring steel torsion clips are provided fully assembled to housing • Springs allow for fast, secure installation or removal in mounting surfaces from 1/8" to 1" thick material • 2-3/8" Cutout dimension corresponds to common hole saw size.

ELECTRICAL DATA

Input Voltage	12VAC
Input Power	4.8W
Input Current	0.42A
Frequency	Varies with Transformer



DIMENSIONS



ORDERING INFORMATION

Example: MG1LG2 RD 03LM 27K 80CRI FL WH

Series	Fixture Form	Lumens	Color Temperature
MG1LG2	RD Round	03LM 300 Nominal Lumens	27K 2700K
			30K 3000K
			35K 3500K
			40K 4000K

CRI	Distribution	Trim Finish
80CRI 80+ CRI	FL Flood	BL Black
90CRI 90+ CRI	NFL Narrow Flood	BRZ Bronze
	SP Spot	SN Satin Nickel
		WH White

Transformers

Catalog Number	Finish	Description
TL602E 10W 120 12AC WH	White	10W 12V AC Electronic Transformer
TL602E 25W 120 12AC WH	White	25W 12V AC Electronic Transformer
TL602E 60W 120 12AC WH	White	60W 12V AC Electronic Transformer
MAGXFMR 1C 10W 120 12AC BL	Black	10W 12V AC Magnetic Transformer
MAGXFMR 1C 25W 120 12AC BL	Black	25W 12V AC Magnetic Transformer
MAGXFMR 1C 60W 120 12AC BL	Black	60W 12V AC Magnetic Transformer

To order, specify catalog number.

MINI LED GIMBAL

MG1LG2 RECESSED HOUSING AND TRIM

LOW VOLTAGE

PHOTOMETRICS

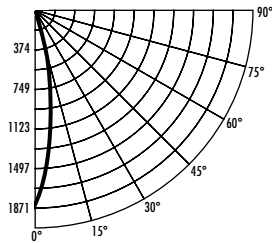
PHOTOMETRIC REPORT

Test Report #: PT10130802R

Catalog No: MG1LG2 RD O3LM
35K 80CRI SP WH

Luminaire Spacing Criterion: 0.34

Luminaire LPW: 62



CANDLEPOWER DISTRIBUTION (Candelas)

Degrees Vertical	0°
0	1871
5	1575
15	406
25	73
35	17
45	9
55	6
65	3
75	1
85	0
90	0

Multiplier:	80CRI	90CRI
	27K - 0.91	27K - 0.67
	30K - 0.95	30K - 0.72
	35K - 1.00	35K - 0.77
	40K - 1.01	40K - 0.80

AVERAGE INITIAL FOOTCANDLES

Multiple Units (Square Array, 60' x 60' room)

Ceiling 80%, Wall 50%, Floor 20%

Spacing	RCR1	RCR4	RCR8
4'	22	20	19
5'	14	13	12
6'	10	9	8
7'	8	7	7
8'	6	6	5
9'	5	4	4
10'	4	3	3

ZONAL LUMEN SUMMARY

Zone	Lumens	%Lamp	%Fixture
0-30°	284	N/A	91.0
0-40°	296	N/A	94.8
0-60°	308	N/A	98.7
0-90°	312	N/A	100.0

INITIAL FOOTCANDLES

One Unit, 5W, 19.6° Beam

Distance to Illuminated Plane (Feet)	Footcandles Beam Center	Beam Diameter
4	116.9	1.4'
6	52.0	2.1'
8	29.2	2.8'
10	18.7	3.5'

LUMINANCE (Average cd/m²)

Degrees	Average 0° Luminance
45	26773
55	21746
65	15809
75	6886
85	0

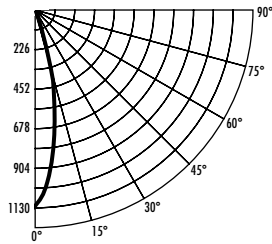
PHOTOMETRIC REPORT

Test Report #: PT10130803R

Catalog No: MG1LG2 RD O3LM
35K 80CRI NFL WH

Luminaire Spacing Criterion: 0.42

Luminaire LPW: 60



CANDLEPOWER DISTRIBUTION (Candelas)

Degrees Vertical	0°
0	1130
5	1002
15	419
25	114
35	32
45	13
55	7
65	4
75	1
85	0
90	0

Multiplier:	80CRI	90CRI
	27K - 0.91	27K - 0.67
	30K - 0.95	30K - 0.72
	35K - 1.00	35K - 0.77
	40K - 1.01	40K - 0.80

AVERAGE INITIAL FOOTCANDLES

Multiple Units (Square Array, 60' x 60' room)

Ceiling 80%, Wall 50%, Floor 20%

Spacing	RCR1	RCR4	RCR8
4'	21	19	17
5'	13	12	11
6'	9	8	8
7'	8	7	6
8'	6	5	5
9'	5	4	4
10'	3	3	3

ZONAL LUMEN SUMMARY

Zone	Lumens	%Lamp	%Fixture
0-30°	258	N/A	85.9
0-40°	279	N/A	92.9
0-60°	296	N/A	98.5
0-90°	300	N/A	100.0

INITIAL FOOTCANDLES

One Unit, 5W, 24.7° Beam

Distance to Illuminated Plane (Feet)	Footcandles Beam Center	Beam Diameter
4	70.6	1.8'
6	31.4	2.6'
8	17.7	3.5'
10	11.3	4.4'

LUMINANCE (Average cd/m²)

Degrees	Average 0° Luminance
45	40192
55	26139
65	18001
75	7778
85	0

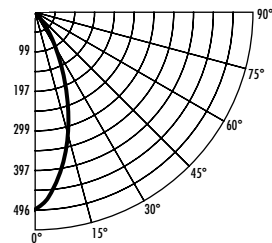
PHOTOMETRIC REPORT

Test Report #: PT10130804R

Catalog No: MG1LG2 RD O3LM
35K 80CRI FL WH

Luminaire Spacing Criterion: 0.62

Luminaire LPW: 52



CANDLEPOWER DISTRIBUTION (Candelas)

Degrees Vertical	0°
0	496
5	478
15	327
25	140
35	47
45	19
55	10
65	6
75	2
85	0
90	0

Multiplier:	80CRI	90CRI
	27K - 0.91	27K - 0.67
	30K - 0.95	30K - 0.72
	35K - 1.00	35K - 0.77
	40K - 1.01	40K - 0.80

AVERAGE INITIAL FOOTCANDLES

Multiple Units (Square Array, 60' x 60' room)

Ceiling 80%, Wall 50%, Floor 20%

Spacing	RCR1	RCR4	RCR8
4'	18	16	14
5'	12	10	9
6'	8	7	6
7'	7	6	5
8'	5	4	4
9'	4	3	3
10'	3	3	2

ZONAL LUMEN SUMMARY

Zone	Lumens	%Lamp	%Fixture
0-30°	198	N/A	75.8
0-40°	229	N/A	87.6
0-60°	254	N/A	97.0
0-90°	262	N/A	100.0

INITIAL FOOTCANDLES

One Unit, 5W, 37.7° Beam

Distance to Illuminated Plane (Feet)	Footcandles Beam Center	Beam Diameter
4	31.0	2.7'
6	13.8	4.1'
8	7.8	5.5'
10	5.0	6.8'

LUMINANCE (Average cd/m²)

Degrees	Average 0° Luminance
45	57323
55	38441
65	31092
75	14631
85	2553

Fixtures tested to IES recommended standard for solid state lighting per LM-79-08. Photometric performance on a single unit at 12VAC in a 25°C ambient represents a baseline of performance for the fixture. Results may vary in the field and when multiple fixtures are used in a system.