

Project: _____

Fixture Type: _____

Location: _____

Contact/Phone: _____

6" TC 900 LUMEN LED DOWNLIGHT NEW CONSTRUCTION

TC22LED (G4 09LM) RECESSED HOUSING



WALL WASH TRIMS

PRODUCT DESCRIPTION

Dedicated LED new construction housing with integral light engine • Shallow housing allows for fit in 2 x 6 construction • TC housing design for use in non-insulated areas • If installed where insulation is present, the insulation must be pulled back 3" from all sides of the TC housing • LED housing is designed to provide 50,000 hours of life and is compatible with many standard Juno trims • 5 year limited warranty on LED components.

ENVIRONMENTALLY FRIENDLY, ENERGY EFFICIENT

- No harmful ultraviolet or infrared wavelengths
- No lead or mercury
- Comparable light output to 26W compact fluorescent while consuming only 18W*

PRODUCT SPECIFICATIONS

LED Light Engine LED array integrated to one piece high purity aluminum, thermally conductive housing provides uninterrupted heat transfer to ensure long life of the LED • Replaceable light engine mounts directly to housing and incorporates the latest generation, high lumen output LED array • LEDs are binned within a 3-Step MacAdam Ellipse yielding superior fixture to fixture color uniformity • 2700K, 3000K, 3500K or 4000K color temperatures available • 90 CRI minimum.

Optical System Painted white scoop is designed to work with computer-optimized reflector design to direct light toward wall uniform illumination on vertical surfaces while concealing LED optic assembly and minimizing glare • LEDs are concealed by high transmission diffusing lens • Retention bar holds scoop assembly to trim • White or black baffle available.

Aesthetic Trim Selections Low profile scoop wall wash trim • Shadow free, knife edge design blends seamlessly into ceiling.

LED Driver Universal voltage drivers that accommodate input voltage from 120-277 volts AC at 50/60Hz are available and dimmable with the use of most 0-10V dimmers • Power factor > 0.9 at 120V input • Optional Lutron Hi-Lume® A-Series driver accommodates 120-277 volts AC at 50/60Hz • Mounted between the j-box and housing for easy access and cool operation • For a list of compatible dimmers, see [JUNOTCLED-DIM](#).

Emergency Battery Option Battery factory assembled to housing with remote mounted test switch included • Drives LED array for 90 minutes to meet Life Safety Code (NFPA-LSC), National Electrical Code (NEC) and UL requirements • Provides 50% light output in emergency mode.

Life Rated for 50,000 hours at 70% lumen maintenance.

Labels UL listed for U.S. and Canada through-branch wiring, damp locations • Union made • UL and cUL listed.

Testing All reports are based on published industry procedures; field performance may differ from laboratory performance.

Specifications subject to change without notice.

HOUSING FEATURES

Housing Designed for use in TC applications (non-insulated) • Aluminum housing • Housing is vertically adjustable to accommodate up to a 2" ceiling thickness.

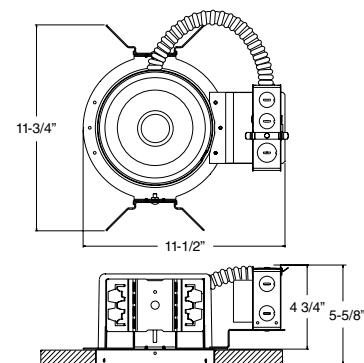
Junction Box Pre-wired junction box provided with (5) 1/2" and (1) 3/4" knockouts and ground wire, UL listed and cUL listed for through-branch wiring, maximum 8 No. 12 AWG 90° C branch circuit conductors (4 in, 4 out) • Junction box provided with removable access plates • Knockouts equipped with pryout slots.

Mounting Frame 16-gauge galvanized steel mounting ring equipped with vertically adjustable mounting brackets that accept 1/2" conduit or "C" channels (HB26 or HB50), linear flat bars (LB27) or Patented (US Patent D552,969) Real Nail® 3 bar hangers (HB1).

*Nominal input wattage with universal voltage driver under stable operating conditions



DIMENSIONS



6 7/8" CEILING CUTOUT

ELECTRICAL DATA

STANDARD UNIVERSAL VOLTAGE DRIVER (MVOLT EZ10, MVOLT ZT10, MVOLT EZ1 and MVOLT ZT1)

	120V	277V
Input Power	16.1W (+/-5%)	16.9W (+/-5%)
Input Current - Max	0.14A	0.06A
Frequency	50/60Hz	50/60Hz
EMI/RFI	FCC Title 47 CFR, Part 15, Class B (residential)	FCC Title 47 CFR, Part 15, Class B (residential)
Minimum starting temp	-20°C (-40°F)	-20°C (-40°F)

UNIVERSAL VOLTAGE DRIVER WITH EMERGENCY OPTION (MVOLT ZT10 BR, EZ10 BR, ZT1 BR and EZ1 BR)

	120V	277V
Input Power	18.9W (+/-5%)	19.6W (+/-5%)
Input Current - Max	0.16A	0.07A
Frequency	50/60Hz	50/60Hz
EMI/RFI	FCC Title 47 CFR, Part 15, Class A (Commercial)	FCC Title 47 CFR, Part 15, Class A (Commercial)
Minimum starting temp	0°C (32°F)	0°C (32°F)

LUTRON HI-LUME® LED DRIVER (ECOD)

	120V	277V
Input Power	17.8W (+/-5%)	17.8W (+/-5%)
Input Current - Max	0.15A	0.06A
Frequency	50/60Hz	50/60Hz
EMI/RFI	FCC Title 47 CFR, Part 15, Class A (Commercial)	FCC Title 47 CFR, Part 15, Class A (Commercial)
Minimum starting temp	0°C (32°F)	0°C (32°F)

6" TC 900 LUMEN LED DOWNLIGHT NEW CONSTRUCTION

TC22LED (G4 09LM) RECESSED HOUSING WALL WASH TRIMS

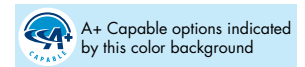
ORDERING INFORMATION Housing and trim can be ordered together or separate, but will always ship separately.

Example: TC22LED G4 09LM 27K 90CRI MVOLT ZT BR

Series	Generation	Lumens	Color Temperature	CRI	Voltage/Driver
TC22LED 6" LED Downlight Non-IC Rated Housing	G4 Generation 4	09LM 900 Nominal Lumens	27K 2700K	90CRI 90+ CRI	MVOLT ZT10 Multi-Volt (120-277), 0-10V, 10% dim
			30K 3000K		MVOLT ZT1 Multi-Volt (120-277), 0-10V, 1% dim
			35K 3500K		MVOLT EZ10 Multi-Volt (120-277), eidoLED 0-10V, 10% dim
			40K 4000K		MVOLT EZ1 Multi-Volt (120-277), eidoLED 0-10V, 1% dim
					MVOLT ECOD Multi-Volt (120-277), Lutron Hi-Lume EcoSystem, 1% Dimming

Emergency Battery	Territory
BR Emergency Battery	CP Chicago Plenum

Note: Chicago Plenum (CP) is not available with emergency option (BR)
Note: Lutron driver (MVOLT ECOD) is not available with emergency battery pack (BR)



Trim/Description



262G3 WWH 6" Wall Wash Scoop Trim - White, White Trim Ring
262G3 BWH 6" Wall Wash Scoop Trim - Black, White Trim Ring

Trim Size: 7 5/8" O.D

Note: In Canada when insulation is present, Type IC fixtures must be used.

Accessories (ordered separately)

Catalog Number	Description
HB1	Two 13 1/2" - 25" Real Nail® 3 bar hangers
HB26	Two 26" C-channel bar hangers
HB50	Two 50" C-channel bar hangers
LB27	Two 27" linear bar hangers

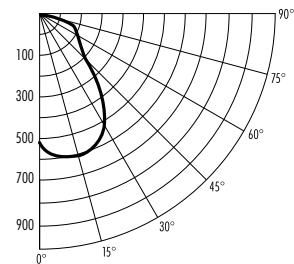
6" TC 900 LUMEN LED DOWNLIGHT NEW CONSTRUCTION

TC22LED (G4 09LM) RECESSED HOUSING
WALL WASH TRIMS

PHOTOMETRICS

PHOTOMETRIC REPORT

Test Report #: PT10111901R
Catalog No: TC22LED G4 09LM 35K with 262G3 WWH Wall Wash Trim
Luminaire Spacing Criterion @ 90°: 1.04
Luminaire LPW: 45



CANDLEPOWER DISTRIBUTION (Candelas)

Degrees	Candelas
Vertical	0°
0	530
5	594
10	611
15	613
20	598
25	571
30	523
35	440
40	325
45	226
50	169
55	138
60	118
65	105
70	96
75	75
80	48
85	28
90	0

Multiplier: 27K - 0.93
 30K - 0.99
 40K - 1.01

ZONAL LUMEN SUMMARY

Zone	Lumens	%Lamp	%Fixture
0-30°	317	N/A	44.1
0-40°	468	N/A	65.2
0-60°	631	N/A	87.9
0-90°	718	N/A	100.0

LUMINANCE (Average cd/m²)

Degrees	Average Luminance
45	17486
55	13156
65	13553
75	15807
85	17733

FOOTCANDLES ON WALL FROM MULTIPLE FIXTURES

Fixture Distance to Wall	2'						3'						
	2'			3'			3'			4'			
Fixture Centers (spacing)	⎓	2'	⎓	⎓	3'	⎓	⎓	3'	⎓	⎓	4'	⎓	
DISTANCE FROM CEILING	1'	22	21	22	18	13	18	8	8	9	7	6	7
	2'	33	32	33	26	20	25	14	14	15	12	11	12
	3'	39	39	39	29	25	28	16	15	16	13	12	13
	4'	35	35	35	25	25	25	18	18	18	15	13	14
	5'	28	28	28	19	20	19	18	19	19	14	14	14
	6'	21	21	21	15	15	15	16	16	16	13	14	13
	7'	16	18	16	13	13	12	14	15	15	12	11	12
	8'	13	14	13	11	11	9	12	13	13	9	9	9
	9'	11	11	11	8	8	8	9	11	11	8	8	8

*For 262G3 BWH trim, use 0.90 multiplier.

*Note: Multipliers are provided for estimating purposes only. Use IES photometric files for precise photometric information.