

JUNO**TRAC-MASTER®**

Wall Wash/Floods

35W LED WALL WASH/FLOOD**T256L**

Project: _____

Fixture Type: _____

Location: _____

Contact/Phone: _____

PRODUCT DESCRIPTION

The 35W T256L wall wash/flood trac fixture delivers a powerful and uniform punch of light, utilizing less energy than a similar CMH fixture and offering up to 4 times the rated life. Its sleek, shallow profile enables it to virtually blend in with the trac. Operating at only 35W, it is able to deliver up to 2223 lumens, yielding an efficacy of up to 64 lumens per watt. Its unique thermal management design yields a maintenance-free 50,000 hours service life at 70% lumen maintenance. Available in 2700K, 3000K, 3500K and 4000K color temperatures, the white-light T256L wall wash/flood fixture is compatible with all Juno line voltage trac.

PRODUCT SPECIFICATIONS

Housing Robust extruded aluminum channel with die cast aluminum end caps • Custom designed concealed heat sink provides outstanding thermal management, yielding 70% average lumen maintenance at 50,000 hours of operation • Rich, textured paint available in white, black and silver painted finishes.

LED Nichia LEDs provide outstanding reliability, performance and color quality/consistency • White phosphor high brightness LEDs in 2700K, 3000K, 3500K or 4000K color temperatures • High CRI of 80 minimum.

Driver Concealed in rear housing to minimize overall fixture footprint • Solid state electronic, Class 2 compliant • Integral overcurrent and short circuit protection • FCC Part 15 Class B rated.

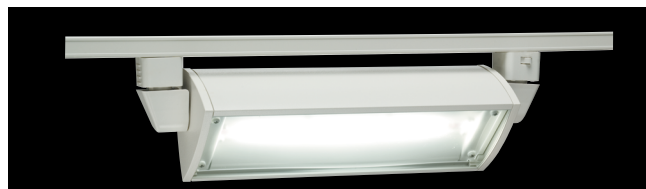
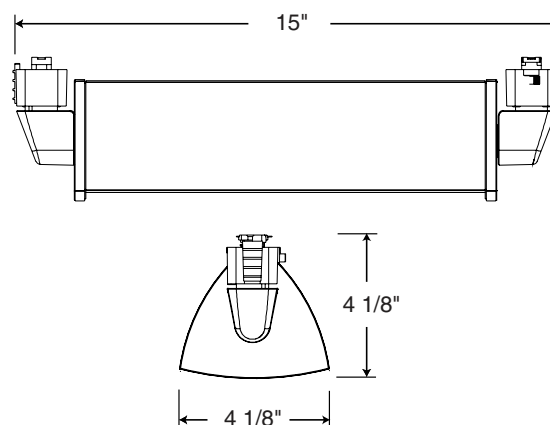
Dimming 120V fixtures are dimmable using high quality reverse phase ELV dimmers approved by Juno – see [T256L-DIM](#) for a list of approved dimmers or to confirm compatibility with desired dimmer.

Lens Shields LEDs and optical components from dust and other contaminants • Matte inner surface creates a diffuse, uniform beam pattern.

Aiming 90° vertical aiming capability.

Power Connection Attaches to trac via two standard trac adapters, one of which contains electrical contacts.

Juno Universal Trac Adapter Universally compatible with both Trac-Master 1-circuit or 2-circuit trac, Trac-Lites trac, monopoints and special mountings • Also UL Recognized for use on ConTech® LT Series track • Copper alloy contacts provide precise spring action – no arcing and will not take a set • True, positive electrical ground • On / off switch included • Patented embossed polarity arrows on bottom of adapter • Spring-loaded positive latch with embossed polarity arrows secures trac light to trac • Two-position power contact provided for two-circuit application.

**DIMENSIONS**

Alternate TEK/HTEK Trac Adapter Compatible with either Juno TEK or HTEK trac systems • System specific and assembled to trac fixture • Integrally polarized construction to prevent reverse installation – only allows insertion in proper orientation • Rotary circuit selector enables simple switching between circuits • Integral on/off switch enables individual fixtures to be switched for servicing.

Alternate HTYPE Trac Adapter Compatible with track systems which use a H-type track adapter, including Lithonia LTS Decorative Track (not LT type) • System specific and assembled to trac fixture • Two-position power contact provided for two-circuit application • Consult factory for additional information.

Labels UL and C-UL Listed • Union made • Assembled in U.S.A.

Warranty 5-year limited warranty. Complete warranty terms located at: www.acuitybrands.com/CustomerResources/Terms_and_conditions.aspx. Specifications subject to change without notice.

ORDERING INFORMATION

Ordering Examples: T256L 30K 80CRI OFF WH, T256L TEK 30K 80CRI PDIM BL

Series	Mounting Adapter Type	Color Temperature	Color Rendering Index	Dimming Compatibility	Finish
T256L 35W Wall Wash/ Flood LED	(Blank) Juno Universal 120V Trac Adapter	27K 2700K	80CRI 80 CRI	OFF ¹ On/Off (Non-Dimming) PDIM Phase Dimmable	BL Black SL Silver WH White
	TEK TEK 120V Trac Adapter	30K 3000K			
	HTEK ¹ HTEK 277V Trac Adapter	35K 3500K			
	HTYPE H-Type Trac Adapter	40K 4000K			

Notes:
1 HTEK versions are only available with OFF and OFF is only available with HTEK.

ConTech is a registered trademark of ConTech Lighting.

AcuityBrands.

One Lithonia Way • Conyers, GA 30012 • Phone: 1-800-705-SERV (7378) • Visit us at www.acuitybrands.com
Printed in U.S.A. ©2017-2019 Acuity Brands Lighting, Inc. Rev. 12/26/19

TRAC-MASTER®

Wall Wash/Floods

35W LED WALL WASH/FLOOD**T256L****PERFORMANCE DATA¹**

Catalog Number	Input Voltage	Watts (Typical)	Lumens	Efficacy (LPW)	Rated Life (Hours)
T256L 27K	120V	35W	2013	58	50,000
T256L 30K	120V	35W	2097	60	50,000
T256L 35K	120V	35W	2181	62	50,000
T256L 40K	120V	35W	2223	64	50,000

¹Performance data is based on measurements of an individual fixture operating in a 25°C ambient.

ELECTRICAL DATA

Input Voltage	120V
Input Current (max.)	0.39A
Power Factor	>0.92
T.H.D.	<20%

T256L WALL WASH/FLOOD**TRAC 3' FROM WALL**

Distance from ceiling	Single Fixture Performance						Multiple Fixture Performance									
	0	1'	2'	3'	4'	5'	← 4' →			← 5' →			← 6' →			
TRAC 3' FROM WALL	□						□	□	□	□	□	□	□	□	□	
50°	1'	73	62	37	18	9	4	91	77	91	81	53	81	77	36	77
35W LED	2'	79	68	43	23	11	5	101	91	101	89	66	89	84	46	84
3000K CCT	3'	62	54	37	21	11	6	84	81	84	73	60	73	68	43	68
	4'	39	35	27	17	10	6	59	60	59	50	46	50	45	36	45
	5'	21	20	16	12	8	5	38	39	38	31	32	31	27	25	27
	6'	11	11	9	8	6	4	24	24	24	19	20	19	16	17	16
	7'	6	6	5	5	4	3	15	15	15	13	13	13	11	11	11
	8'	3	3	3	3	3	2	9	10	9	8	9	8	7	7	7
	9'	2	2	2	2	2	2	6	7	6	6	6	6	5	5	5

TRAC 4' FROM WALL

Distance from ceiling	Single Fixture Performance						Multiple Fixture Performance									
	0	1'	2'	3'	4'	5'	← 4' →			← 5' →			← 6' →			
TRAC 4' FROM WALL	□						□	□	□	□	□	□	□	□	□	
50°	1'	34	31	24	15	9	5	53	54	53	45	42	45	40	31	40
35W LED	2'	46	42	32	20	12	7	72	72	72	60	55	60	54	42	54
3000K CCT	3'	43	40	31	21	13	7	70	70	70	58	55	58	52	43	52
	4'	35	32	26	19	12	7	60	61	60	50	49	50	44	39	44
	5'	25	24	20	15	10	7	48	48	48	39	40	39	34	33	34
	6'	16	16	14	11	8	6	34	35	34	28	29	28	24	24	24
	7'	10	10	9	8	6	5	24	24	24	20	20	20	17	18	17
	8'	6	6	6	5	4	4	16	17	16	14	14	14	12	12	12
	9'	4	4	4	3	3	3	11	12	11	10	10	10	9	9	9

For 2700K multiply by 0.96; for 3500K multiply by 1.04; for 4000K multiply by 1.06