



TRAC-MASTER®

Wall Wash/Floods

70W LED WALL WASH/FLOOD

T257L

Project: _____

Fixture Type: _____

Location: _____

Contact/Phone: _____



PRODUCT DESCRIPTION

The 70W T257L wall wash/flood trac fixture delivers a powerful and uniform punch of light, utilizing less energy than a similar CMH fixture and offering up to 4 times the rated life. Its sleek, shallow profile enables it to virtually blend in with the trac. Operating at only 70W, it is able to deliver up to 4467 lumens, yielding an efficacy of up to 64 lumens per watt. Its unique thermal management design yields a maintenance-free 50,000 hours service life at 70% lumen maintenance. Available in 2700K, 3000K, 3500K and 4000K color temperatures, the white-light T257L wall wash/flood fixture is compatible with all Juno line voltage trac.

PRODUCT SPECIFICATIONS

Housing Robust extruded aluminum channel with die cast aluminum end caps • Custom designed concealed heat sink provides outstanding thermal management, yielding 70% average lumen maintenance at 50,000 hours of operation • Rich, textured paint available in white, black and silver painted finishes.

LED Nichia LEDs provide outstanding reliability, performance and color quality/consistency • White phosphor high brightness LEDs in 2700K, 3000K, 3500K or 4000K color temperatures • High CRI of 80 minimum • Consult factory for 90 CRI versions.

Driver Concealed in rear housing to minimize overall fixture footprint • Solid state electronic, Class 2 compliant • Integral overcurrent and short circuit protection • FCC Part 15 Class B rated.

Dimming 120V fixtures are dimmable using high quality reverse phase ELV dimmers approved by Juno – see [T257L-DIM](#) for a list of approved dimmers or to confirm compatibility with desired dimmer.

Lens Shields LEDs and optical components from dust and other contaminants • Matte inner surface creates a diffuse, uniform beam pattern.

Aiming 90° vertical aiming capability.

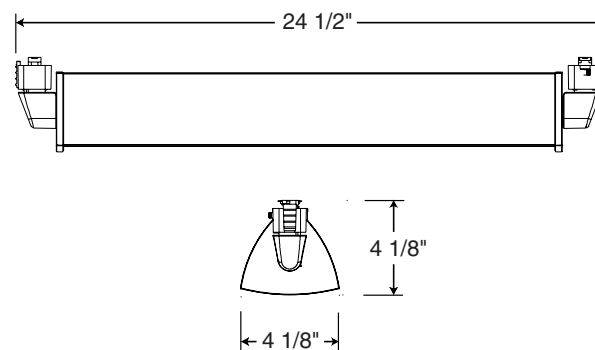
Power Connection Attaches to trac via two standard trac adapters, one of which contains electrical contacts.

Juno Universal Trac Adapter Universally compatible with both Trac-Master 1-circuit or 2-circuit trac, Trac-Lites trac, monopoints and special mountings • Also UL Recognized for use on ConTech® LT Series track • Copper alloy contacts provide precise spring action – no arcing and will not take a set • True, positive electrical ground • On / off switch included • Patented embossed polarity arrows on bottom of adapter • Spring-loaded positive latch with embossed polarity arrows secures trac light to trac • Two-position power contact provided for two circuit application.

Alternate TEK/HTEK Trac Adapter Compatible with either Juno TEK or HTEK trac systems • System specific and assembled to trac fixture • Integrally polarized construction to prevent reverse installation – only allows insertion in proper orientation • Rotary circuit selector enables simple switching between circuits • Integral on/off switch enables individual fixtures to be switched for servicing.



DIMENSIONS



Alternate HTYPE Trac Adapter Compatible with track systems which use a H-type track adapter, including Lithonia LTS Decorative Track (not LT type) • System specific and assembled to trac fixture • Two-position power contact provided for two-circuit application • Consult factory for additional information.

Labels UL and C-UL Listed • ENERGY STAR® certified • Union made • Assembled in U.S.A.

Government Procurement

BAA – Buy America(n) Act: Product qualifies as a domestic end product under the Buy American Act as implemented in the FAR and DFARS. Product also qualifies as manufactured in the United States under DOT Buy America regulations.

BABA – Build America Buy America: Product qualifies as produced in the United States under the definitions of the Build America, Buy America Act.

Please refer to www.acuitybrands.com/buy-american for additional information.

Warranty 5-year limited warranty. This is the only warranty provided and no other statements in this specification sheet create any warranty of any kind. All other express and implied warranties are disclaimed. Complete warranty terms located at: www.acuitybrands.com/support/warranty/terms-and-conditions

Specifications subject to change without notice.

ORDERING INFORMATION

Ordering Examples: T257L 30K 80CRI PDIM WH, T257L TEK 30K 80CRI PDIM BL

Series	Mounting Adapter Type	Color Temperature	Color Rendering Index	Dimming Compatibility	Finish
T257L 70W Wall Wash/ Flood LED	(Blank) Juno Universal 120V Trac Adapter	27K 2700K	80CRI 80 CRI Consult factory for 90 CRI versions.	OFF ¹ On/Off (Non-Dimming) PDIM Phase Dimmable	BL Black SL Silver WH White
	TEK TEK 120V Trac Adapter	30K 3000K			
	HTEK ¹ HTEK 277V Trac Adapter	35K 3500K			
	HTYPE H-Type Trac Adapter	40K 4000K			

Notes:
1 HTEK versions are only available with OFF and OFF is only available with HTEK.

ConTech is a registered trademark of ConTech Lighting.



TRAC-MASTER®

Wall Wash/Floods

70W LED WALL WASH/FLOOD

T257L

PERFORMANCE DATA¹

Catalog Number	Input Voltage	Watts (Typical)	Lumens	Efficacy (LPW)	Rated Life (Hours)
T257L 27K	120V	70W	4045	58	50,000
T257L 30K	120V	70W	4214	60	50,000
T257L 35K	120V	70W	4383	63	50,000
T257L 40K	120V	70W	4467	64	50,000

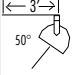
ELECTRICAL DATA

Input Voltage	120V
Input Current (max.)	0.64A
Power Factor	>0.92
T.H.D.	<20%

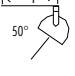
¹Performance data is based on measurements of an individual fixture operating in a 25°C ambient.

T257L WALL WASH/FLOOD

TRAC 3' FROM WALL

Distance from ceiling	Single Fixture Performance						Multiple Fixture Performance									
	0	1'	2'	3'	4'	5'	← 4' →			← 5' →			← 6' →			
TRAC 3' FROM WALL	□						□	□	□	□	□	□	□	□	□	
70W LED 3000K CCT	1'	72	67	47	29	15	7	103	100	103	86	79	86	79	60	79
	2'	147	128	84	46	23	11	193	180	193	169	134	169	158	94	158
	3'	131	116	81	48	26	14	185	177	185	159	133	159	146	99	146
	4'	82	75	58	39	24	14	132	131	132	111	104	111	98	82	98
	5'	46	44	36	27	18	12	86	87	86	71	71	71	62	58	62
	6'	26	25	22	18	13	9	56	57	56	47	47	47	40	39	40
	7'	15	15	13	11	9	7	36	38	36	31	31	31	27	27	27
	8'	9	9	8	7	6	5	24	25	24	21	22	21	18	19	18
	9'	6	6	5	5	4	4	17	17	17	15	15	15	13	13	13

TRAC 4' FROM WALL

Distance from ceiling	Single Fixture Performance						Multiple Fixture Performance									
	0	1'	2'	3'	4'	5'	← 4' →			← 5' →			← 6' →			
TRAC 4' FROM WALL	□						□	□	□	□	□	□	□	□	□	
	1'	29	27	24	19	14	8	58	58	58	46	44	46	39	40	39
	2'	64	61	48	34	22	13	111	111	111	91	89	91	79	72	79
	3'	85	79	62	43	27	16	142	143	142	119	114	119	105	91	105
	4'	74	69	56	41	27	17	132	133	132	110	107	110	96	87	96
	5'	52	50	42	33	24	16	105	106	105	87	87	87	75	72	75
	6'	35	33	29	24	18	13	76	78	76	63	64	63	55	54	55
	7'	23	22	20	17	14	10	54	55	54	46	47	46	39	40	39
	8'	15	14	13	12	10	8	38	39	38	33	34	33	29	29	29
	9'	10	10	9	8	7	6	27	28	27	24	25	24	21	21	21

For 2700K multiply by 0.96; for 3500K multiply by 1.04; for 4000K multiply by 1.06