

FEATURES & SPECIFICATIONS

INTENDED USE — Typical applications include corridors, lobbies, conference rooms and private offices.

CONSTRUCTION — Heavy-gauge aluminum housing

Ceiling mount for direct installation to 4" octagonal or square junction box

Pendant mount entry for 3/8" National Pipe Thread stem; wires supplied by others

Textured polyester powder paint finish

Multiple ceiling, pendant, cord, and wall mount options available.

OPTICS — 3 SDCM; 80 CRI typical

Diffusing lens covers optical chamber

55° cutoff to source and source image

General illumination 1.0 S/MH

Self-flanged anodized reflectors in specular, semi-specular, or matte diffuse finishes.

ELECTRICAL — Multi-volt 0-10V dimming available.

0-10V dimming drivers mounted to junction box, 10% or 1% minimum dimming level

0-10V dimming fixture requires two (2) additional low-voltage wires to be pulled

70% lumen maintenance at 50,000 hours

LISTINGS — Certified to US and Canadian safety standards. Damp location standard (wet location, covered ceiling optional).

GOVERNMENT PROCUREMENT — BAA – Buy America(n) Act: Product qualifies as a domestic end product under the Buy American Act as implemented in the FAR and DFARS. Product also qualifies as manufactured in the United States under DOT Buy America regulations.

BABA – Build America Buy America: Product qualifies as produced in the United States under the definitions of the Build America, Buy America Act.

Please refer to www.acuitybrands.com/buy-american for additional information.

WARRANTY — 5-year limited warranty. This is the only warranty provided and no other statements in this specification sheet create any warranty of any kind. All other express and implied warranties are disclaimed. Complete warranty terms located at: www.acuitybrands.com/support/warranty/terms-and-conditions

Note: Actual performance may differ as a result of end-user environment and application.

All values are design or typical values, measured under laboratory conditions at 25 °C.

Specifications subject to change without notice.

Catalog Number
Notes
Type

LDN8CYL

8" CYLINDER
Non-IC

New Construction Downlight



A+ Capable options indicated by this color background.

ORDERING INFORMATION

Lead times will vary depending on options selected. Consult with your sales representative.

Example: LDN8CYL 35/50 L08AR LSS MVOLT EZ1 FCM DWHG

Series	Color temperature	Lumens	Aperture/Trim Color	Finish
LDN8CYL 8" cylinder	27/ 2700K	50 5000 lumens	L08 Downlight	LSS Semi-specular
	30/ 3000K	60 6000 lumens	LW8 Wallwash	LD Matte diffuse
	35/ 3500K	80 8000 lumens	AR Clear	LS Specular
	40/ 4000K	100 10000 lumens	WR ¹ White	
			BR ¹ Black	

Voltage	Driver	Mounting	Options	Architectural Colors ⁸
MVOLT Multi-volt 120 120V 277 277V	GZ10 0-10V driver dims to 10% GZ1 0-10V driver dims to 1% EZ1 0-10V eldoLED driver with smooth and flicker-free deep dimming performance down to 1%	FCM Flush ceiling mount WM ² Wall mount PM Pendant 3/8" thread mount ACC ³ 10ft aircraft cable and cord mount ACC180 ³ 15ft aircraft cable and cord mount	SF ⁴ Single fuse NPP16D ^{5,6} nLight [®] network power/relay pack with 0-10V dimming for non-eldoLED drivers (GZ10, GZ1). NPP16DER ^{5,6} nLight [®] network power/relay pack with 0-10V dimming for non-eldoLED drivers (GZ10, GZ1). ER controls fixtures on emergency circuit. NPS80EZ ^{5,6} nLight [®] dimming pack controls 0-10V eldoLED drivers (EZ10, EZ1). NPS80EZER ^{5,6} nLight [®] dimming pack controls 0-10V eldoLED drivers (EZ10, EZ1). ER controls fixtures on emergency circuit. WL ⁷ Wet location	DWHG Matte white DDB Dark bronze DBL Black DWH Glossy white DMB Medium bronze DNA Natural aluminum DSS Sandstone DGC Charcoal grey DTG Tennis green DBR Bright red DSB Steel blue

See accessories and footnotes on page 2.

LDN8CYL

Accessories: Order as separate catalog number (shipped separately).	
CYS ³	3/8" stem and canopy with 5° "hang straight" swivel
CRS ³	3/8" stem and canopy with 45° swivel

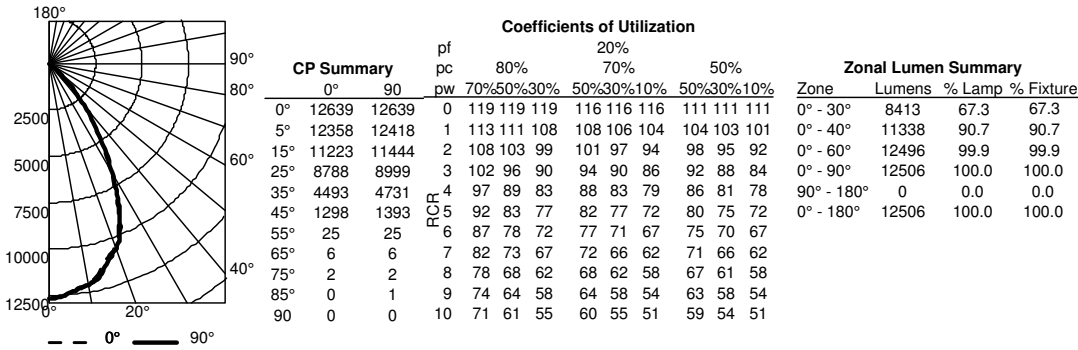
Notes

- 1 Not available with finishes.
- 2 Access panel (supplied by others) recommended for use with nLight[®].
- 3 White cord with white housings. All others black cord.
- 4 Must specify voltage 120V or 277V.
- 5 Specify voltage. ER for use with generator supply EM power. Will require an emergency hot feed and normal hot feed.
- 6 Interface remote mounted.
- 7 Not available with ACC & ACC180 mounting options.
- 8 Additional architectural colors available; see www.lithonia.com/archcolors.
- 9 Color and length of stem must be specified (from 6" to 240" in even increments in maximum sections of 48"). Ex.: CYS06 DWHG. Ceiling attachment for interior use. Consult factory for exterior use. Wire not included.

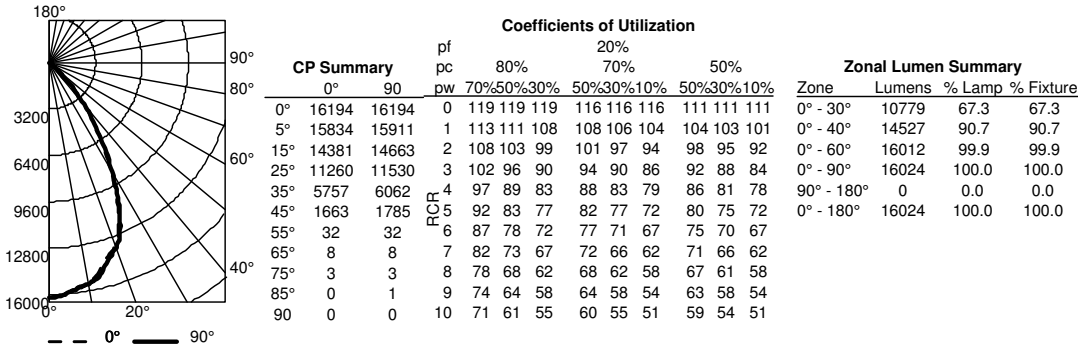
PHOTOMETRY

Distribution Curve	Distribution Data	Output Data	Coefficient of Utilization	Illuminance Data at 30" Above Floor for a Single Luminaire
--------------------	-------------------	-------------	----------------------------	--

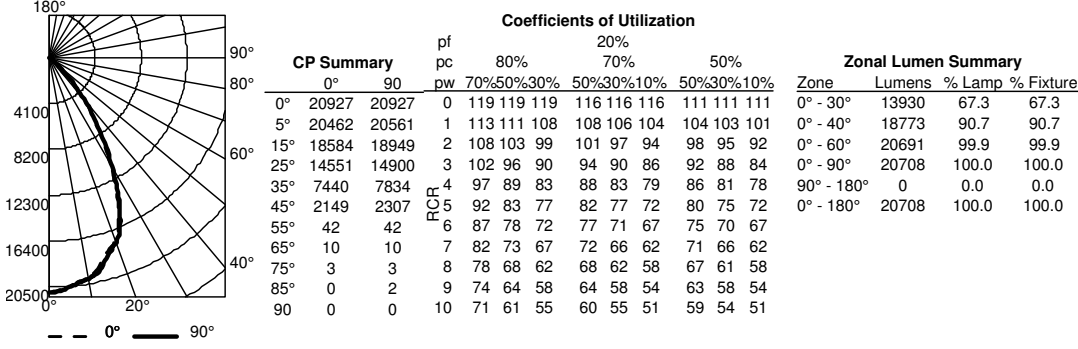
LDN8 35/120 L08AR LS, INPUT WATTS: 148.6, DELIVERED LUMENS: 12506.4, LM/W = 84.16, TEST NO. ISF 30850P28



LDN8 35/150 L08AR LS, INPUT WATTS: 184.5, DELIVERED LUMENS: 16024.4, LM/W = 86.85, TEST NO. ISF 30850P25

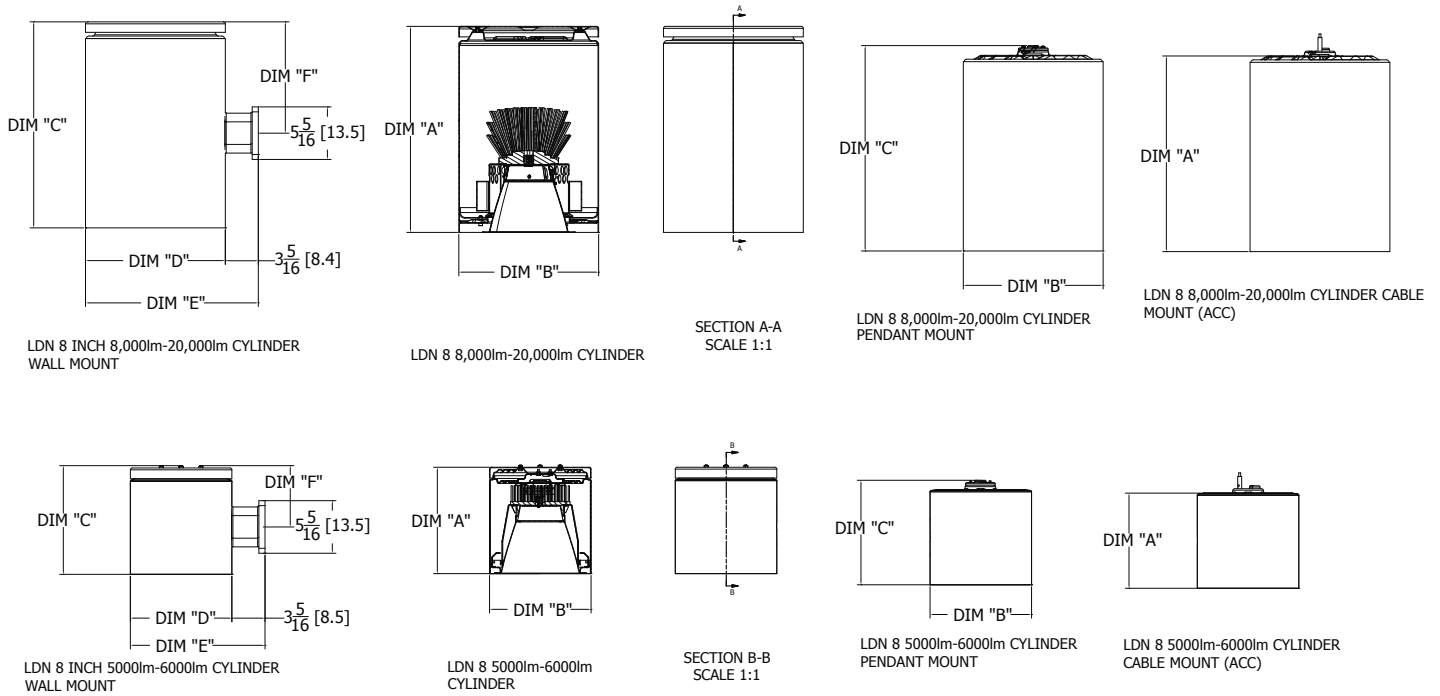


LDN8 35/200 L08AR LS, INPUT WATTS: 265.4, DELIVERED LUMENS: 20707.9, LM/W = 78.02, TEST NO. ISF 30850P22.



LDN8CYL

*All dimensions in inches (centimeters) unless otherwise noted.



LDN8 CYLINDER LINE ART DIMENSIONS TABLE							
Lumen Output	Style	Dim "A"	Dim "B"	Dim "C"	Dim "D"	Dim "E"	Dim "F"
5000 - 6000 LM	Ceiling Mount (FCM)	11 3/8	10 1/4				
5000 - 6000 LM	Pendant Mount (PM)		10 1/4	10 3/4			
5000 - 6000 LM	Pendant Mount Wet Location (PM WL)		10 1/4	11 1/2			
5000 - 6000 LM	Cable Mount (ACC)	10 3/8	10 1/4				
5000 - 6000 LM	Wall Mount (WM)			10 1/16	10 1/4	13 1/2	6 3/8
5000 - 6000 LM	Wall Mount Wet Location (WM WL)			11 3/16	10 1/4	13 1/2	6 3/8
8000 - 12000 LM	Ceiling Mount (FCM)	14 5/8	14 1/8				
8000 - 12000 LM	Pendant Mount (PM)		14 1/8	13 1/2			
8000 - 12000 LM	Pendant Mount Wet Location (PM WL)		14 1/8	14 5/8			
8000 - 12000 LM	Cable Mount (ACC)	13 1/2	14 1/8				
8000 - 12000 LM	Wall Mount (WM)			13 1/2	14 1/8	17 1/2	6 7/8
8000 - 12000 LM	Wall Mount Wet Location (WM WL)			14 5/8	14 1/8	17 1/2	7 11/16
15000 - 20000 LM	Ceiling Mount (FCM)	20 7/8	14 1/8				
15000 - 20000 LM	Pendant Mount (PM)		14 1/8	19 3/4			
15000 - 20000 LM	Pendant Mount Wet Location (PM WL)		14 1/8	20 7/8			
15000 - 20000 LM	Cable Mount (ACC)	19 3/4	14 1/8				
15000 - 20000 LM	Wall Mount (WM)			19 3/4	14 1/8	17 1/2	10 3/16
15000 - 20000 LM	Wall Mount Wet Location (WM WL)			20 7/8	14 1/8	17 1/2	11 3/4

ADDITIONAL DATA

COMPATIBLE 0-10V WALL-MOUNT DIMMERS		
MANUFACTURER	PART NO.	POWER BOOSTER AVAILABLE
Lutron®	Diva® DDTV	
	Diva® DVSTV	
	Nova T® NTFTV	
	Nova® NFTV	
Leviton®	AWSMT-7DW	CN100
	AWSMG-7DW	PE300
	AMRMG-7DW	
	Leviton Centura Fluorescent Control System	
	IllumaTech® IP7 Series	
Synergy®	ISD BC	RDMFC
	SLD LPCS	
	Digital Equinox (DEQ BC)	
Douglas Lighting Controls	WPC-5721	
Entertainment Technology	Tap Glide TG600FAM120 (120V)	
	Tap Glide Heatsink TGH1500FAM120 (120V)	
	Oasis OA2000FAMU	
Honeywell	EL7315A1019	EL7305A1010 (optional)
	EL7315A1009	
HUNT Dimming	Preset slide: PS-010-IV and PS-010-WH	
	Preset slide: PS-010-3W-IV and PS-010-3W-WH	
	Preset slide, controls FD-010: PS-IFC-010-IV and PS-IFC-010-WH-120/277V	
	Preset slide, controls FD-010: PS-IFC-010-3W-IV and PS-IFC-010-3W-WH-120/277V	
	Remote mounted unit: FD-010	
Lehigh Electronic Products	Solitaire	PBX
PDM Electrical Products	WPC-5721	
Starfield Controls	TR61 with DALI interface port	RT03 DALInet Router
WattStopper®	LS-4 used with LCD-101 and LCD-103	

WATTAGE CONSUMPTION MATRIX			
Nominal Lumens @ 3500K	Delivered Lumens	Wattage	LPW
5000	5353	61.1	87.6
6000	6138	73	84.1
8000	8520	92.1	92.5
10000	10582	118.83	89.1
12000	12506	148.7	84.1
15000	16025	184.5	86.9
20000	20707	265.4	78.0

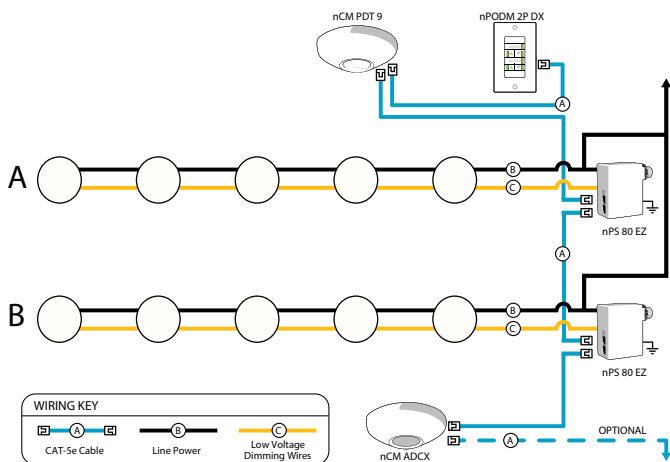
A+ Capable Luminaire

This item is an A+ capable luminaire, which has been designed and tested to provide consistent color appearance and out-of-the-box control compatibility with simple commissioning.

- All configurations of this luminaire meet the Acuity Brands' specification for chromatic consistency
- This luminaire is part of an A+ Certified solution for nLight® control networks when ordered with drivers marked by a shaded background*
- This luminaire is part of an A+ Certified solution for nLight control networks, providing advanced control functionality at the luminaire level, when selection includes driver and control options marked by a shaded background*

To learn more about A+, visit www.acuitybrands.com/aplus.

*See ordering tree for details



nLight® Control Accessories: Order as separate catalog number. Visit www.sensorswitch.com/nLight for complete listing of nLight controls.			
WallPod stations	Model number	Occupancy sensors	Model number
On/Off	nPODM [color]	Small motion 360°, ceiling (PIR / dual tech)	nCM 9 / nCM PDT 9
On/Off & Raise/Lower	nPODM DX [color]	Large motion 360°, ceiling (PIR / dual tech)	nCM 10 / nCM PDT 10
Graphic Touchscreen	nPOD GFX [color]	Wide view (PIR / dual tech)	nWV 16 / nWV PDT 16
Photocell controls	Model number	Wall Switch w/ Raise/Lower (PIR / dual tech)	nWSX LV DX / nWSX PDT LV DX
Dimming	nCM ADCX	Cat-5 cables (plenum rated)	Model number
		10', CAT5 10FT	CAT5 10FT J1
		15', CAT5 15FT	CAT5 15FT J1