

Classics

Project: _____

Fixture Type: _____

Location: _____

Contact/Phone: _____

36W FLAT BACK CYLINDER LED



T285L G2

PRODUCT DESCRIPTION

With its integral driver, the cylindrical aesthetic of the T285L Series offers the simplest of form factors. It is designed with a unique, patent pending, precision optical system which produces uniform spot, flood or narrow flood distributions. The 36W T285L Series can deliver up to 3636 lumens, utilizing less than 1/3 of the energy of halogen equivalents and having a rated life of 50,000 hours. It is available in 2700K, 3000K, 3500K and 4000K color temperatures and 80 or 90 CRI versions. These fixtures also have an integral, bayonet-mounted optical system that enables quick conversion between beam spreads.



PRODUCT SPECIFICATIONS

Construction Die cast aluminum housing and vented concealed heat sink provides outstanding thermal management, yielding 70% average lumen maintenance at 50,000 hours of operation • Passively-cooled design – no moving parts to break or wear-out • Fashionable, elegant design complements any decor • Available in white, black or silver painted finishes.

LED High performance LED array provides outstanding reliability, performance and color quality/consistency • 2700K, 3000K, 3500K or 4000K white phosphor high performance LEDs • Chromaticity range within a 3-step MacAdam Ellipse • 80 CRI minimum on standard product • Optional high CRI versions offer 90 CRI minimum • Consult factory for SpectralWhite option.

Driver Assembled into upper housing to visually integrate within fixture design • Insulating air gap between driver and LED light engine optimizes thermal operation • Provides quiet operation with or without dimming • 120V fixtures are dimmable using high quality reverse phase ELV dimmers approved by Juno - see [T283LG2-T285LG2-DIM](#) • Solid state electronic, Class 2 compliant • Integral overcurrent and short circuit protection • Class B FCC Part 15 rated.

Reflector Precision designed custom optical system provides either spot, narrow flood or flood beam distributions • Patent pending, multi-step optical system ensures a properly color-mixed beam • Accessory optical assemblies available to quickly and easily convert from one beam distribution to another in the field.

Accessories Filters and lenses may only be installed with Accessory Holder, Snoot or Barn Doors (order separately) • Louver may only be installed with Accessory Holder or Snoot (order separately) • Accessory Holder, Snoot or Barn Doors are externally mounted and attach to fixture using three set screws • Up to two of any combination of filters, lenses and louver may be installed simultaneously.

Juno Universal Track Adapter Universally compatible with both Trac-Master 1-circuit or 2-circuit track, Trac-Lites track, monopoints and special mountings • Also UL Recognized for use on ConTech® LT Series track • Copper alloy contacts provide precise spring action – no arcing and will not take a set • True, positive electrical ground • On/off switch included • Patented embossed polarity arrows on bottom of adapter • Spring-loaded positive latch with embossed polarity arrows secures track light to track • Two-position power contact provided for two-circuit application.

Alternate TEK/HTEK Track Adapter Compatible with either Juno TEK or HTEK track systems • System specific and assembled to track fixture • Integrally polarized construction to prevent reverse installation – only allows insertion in proper orientation • Rotary circuit selector enables simple switching between circuits • Integral on/off switch enables individual fixtures to be switched for servicing.

Alternate GTYPE Track Adapter Compatible with track systems based on GES type track, including Lithonia LT Commercial Track (not LTS type) • System specific and assembled to track fixture • Consult factory for additional information.

Alternate HTYPE Track Adapter Compatible with track systems which use a H-type track adapter, including Lithonia LTS Decorative Track (not LT type) • System specific and assembled to track fixture • Two-position power contact provided for two-circuit application • Consult factory for additional information.

Alternate LTYPE Track Adapter Compatible with track systems which use a L-type track adapter • System specific and assembled to track fixture • Two-position power contact provided for two-circuit application • Consult factory for additional information.

Aiming 360° horizontal coverage • Greater than 90° vertical aiming capability.

Labels UL and C-UL Listed • Union made • Assembled in U.S.A. • DesignLights Consortium® qualified where noted in Performance Data; HTEK option excluded.

Government Procurement

BAA – Buy America(n) Act: Product qualifies as a domestic end product under the Buy American Act as implemented in the FAR and DFARS. Product also qualifies as manufactured in the United States under DOT Buy America regulations.

BABA – Build America Buy America: Product qualifies as produced in the United States under the definitions of the Build America, Buy America Act.

Please refer to www.acuitybrands.com/buy-american for additional information.

Warranty 5-year limited warranty. This is the only warranty provided and no other statements in this specification sheet create any warranty of any kind. All other express and implied warranties are disclaimed. Complete warranty terms located at: www.acuitybrands.com/support/warranty/terms-and-conditions.

Note: Actual performance may differ as a result of end-user environment and application. All values are design or typical values, measured under laboratory conditions at 25 °C. Specifications subject to change without notice.

ConTech is a registered trademark of ConTech Lighting.



TRAC-MASTER®

Classics

36W FLAT BACK CYLINDER LED

T285L G2

ORDERING INFORMATION

Ordering Examples: T285L G2 30K 80CRI PDIM SP WH, T285L HTYPE G2 30K 90CRI PDIM SP BL

Series	Mounting Adapter Type	Generation	Color Temperature	Color Rendering Index
T285L 36W Flat Back Cylinder LED	(Blank) Juno Universal 120V Track Adapter HTEK¹ HTEK 277V Track Adapter TEK TEK 120V Track Adapter GTYPE G-Type Track Adapter HTYPE H-Type Track Adapter LTYPE L-Type Track Adapter See page 5 for Direct Canopy Mount Option (CPY) specifications.	G2 Generation 2	27K 2700K 30K 3000K 35K 3500K 40K 4000K	80CRI 80 CRI 90CRI 90 CRI <i>Consult factory for SpectralWhite option.</i>

Dimming Compatibility	Distribution	Finish
OFF¹ On/Off (Non-Dimming)	SP Spot	BL Black
PDIM Phase Dimmable	NFL Narrow Flood	SL Silver
	FL Flood	WH White

Accessories (Order Separately)					
HCLBL 469²	Hexcell Louver - Black	UVF 469²	UV Filter	T770BL	4 ¹¹ / ₁₆ " Dia. Accessory Holder - Black
CCLBL 469²	Cube Cell Louver - Black	DIFF 469²	Diffusion Lens	T770WH	4 ¹¹ / ₁₆ " Dia. Accessory Holder - White
XBAFLBL 469²	Cross Baffle - Black	SOLITE 469²	Uniformity Lens (Solite)	TR10 SPT	Spot Optical Assembly
T5788BL 469	Snoot - Black	PRISM 469²	Prismatic Spread Lens	TR10 NFLD	Narrow Flood Optical Assembly
EYEBROWBL 469²	Eyebrow - Black	LSPREAD 469²	Linear Spread Lens	TR10 FLD	Flood Optical Assembly
CGF 469²	Color Glass Filter	T40N³	Monopoint Canopy		
DGF 469²	Dichroic Glass Filter	T5774BL 469	4 ¹¹ / ₁₆ " Dia. Barn Door Accessory - Black		

See specification sheet [D1.2.2](#) for details.Other accessories can be found on specification sheet [D1.2.0](#).

Notes:

- HTEK versions available with OFF option only, and OFF option available with HTEK version only; HTEK option not qualified for DLC®.
- Accessory Holder, Snoot or Barn Doors required to install filters or lenses; Accessory Holder or Snoot required to install louver.
- Add finish code to complete catalog number (Example: T40N WH).

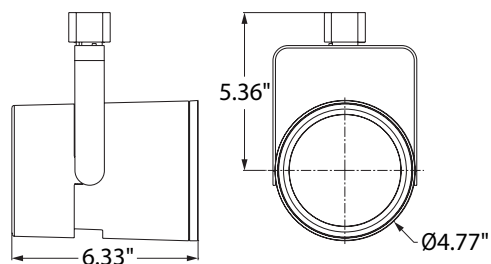
TRAC-MASTER®

Classics

36W FLAT BACK CYLINDER LED

T285L G2

DIMENSIONS



ELECTRICAL DATA

Input Voltage	120V	277V
Input Current (max.)	0.34A	0.15A
Power Factor	>0.99	>0.97
T.H.D.	<10%	<20%

PERFORMANCE DATA^{1,2}

Luminaire Catalog	Voltage	Input Wattage	Total Lumen Output	Lumens Per Watt	Rated Life	DLC Listing
T285L G2 27K 80CRI SP	120V	35.8	3168	88	50,000	X
T285L G2 27K 80CRI NFL	120V	35.8	3125	87	50,000	X
T285L G2 27K 80CRI FL	120V	35.8	3343	93	50,000	X
T285L G2 27K 90CRI SP	120V	35.8	2798	78	50,000	
T285L G2 27K 90CRI NFL	120V	35.8	2759	77	50,000	
T285L G2 27K 90CRI FL	120V	35.8	2952	82	50,000	X
T285L G2 30K 80CRI SP	120V	35.8	3280	92	50,000	X
T285L G2 30K 80CRI NFL	120V	35.8	3235	90	50,000	X
T285L G2 30K 80CRI FL	120V	35.8	3462	97	50,000	X
T285L G2 30K 90CRI SP	120V	35.8	2890	81	50,000	X
T285L G2 30K 90CRI NFL	120V	35.8	2851	80	50,000	
T285L G2 30K 90CRI FL	120V	35.8	3050	85	50,000	X
T285L G2 35K 80CRI SP	120V	35.8	3380	94	50,000	X
T285L G2 35K 80CRI NFL	120V	35.8	3333	93	50,000	X
T285L G2 35K 80CRI FL	120V	35.8	3567	100	50,000	X
T285L G2 35K 90CRI SP	120V	35.8	2983	83	50,000	X
T285L G2 35K 90CRI NFL	120V	35.8	2942	82	50,000	X
T285L G2 35K 90CRI FL	120V	35.8	3148	88	50,000	X
T285L G2 40K 80CRI SP	120V	35.8	3446	96	50,000	X
T285L G2 40K 80CRI NFL	120V	35.8	3399	95	50,000	X
T285L G2 40K 80CRI FL	120V	35.8	3636	102	50,000	X
T285L G2 40K 90CRI SP	120V	35.8	3089	86	50,000	X
T285L G2 40K 90CRI NFL	120V	35.8	3046	85	50,000	X
T285L G2 40K 90CRI FL	120V	35.8	3260	91	50,000	X

Notes:

1 Performance data, including Rated Life, is based on measurements of an individual fixture operating at 120V in a 25°C ambient.

2 HTEK mounting option not qualified for DLC®.

TRAC-MASTER®

Classics

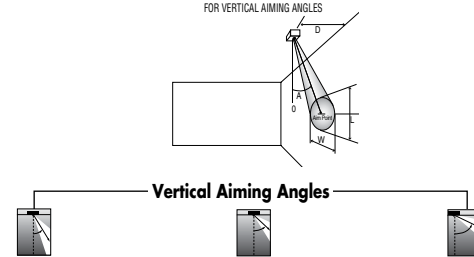
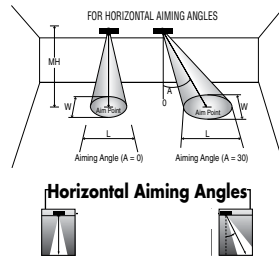
36W FLAT BACK CYLINDER LED

T285L G2

PHOTOMETRICS

CBCP • Centerbeam candlepower
FC • Footcandles at beam center (aim point)

In vertical aiming applications, aim point (X) is determined by dividing distance from the wall (D) by the tangent of the desired aim angle (A) (0.5774 for 30°, 1.0 for 45°, 1.732 for 60°).



Fixture	Beam Type	Beam Spread	Rated Life	CBCP	0°			30°			30°			45°			60°		
					MH	FC	L W	FC	L W	D	FC	X L W	FC	X L W	D	FC	X L W		
T285L G2 36W LED, 3000K, 80CRI Spot	SP	15°	50000	25388	10	254	2.7 2.7	165	3.6 3.1	4	198	6.9 4.5 2.1	561	4.0 2.2 1.5	8	258	4.6 2.8 2.4		
					12	176	3.2 3.2	115	4.3 3.7	6	88	10.4 6.7 3.2	249	6.0 3.2 2.2	10	165	5.8 3.6 3.1		
					14	130	3.7 3.7	84	5.0 4.3	8	50	13.9 9.0 4.2	140	8.0 4.3 3.0	12	115	6.9 4.3 3.7		
					16	99	4.2 4.2	64	5.7 4.9	10	32	17.3 11.2 5.3	90	10.0 5.4 3.7	14	84	8.1 5.0 4.3		
					18	78	4.8 4.8	51	6.4 5.5	12	22	20.8 13.4 6.4	62	12.0 6.5 4.5	16	64	9.2 5.7 4.9		
T285L G2 36W LED, 3000K, 80CRI Narrow Flood	NFL	24°	50000	11581	6	322	2.6 2.6	209	3.5 3.0	3	161	5.2 6.0 2.6	455	3.0 2.7 1.8	6	209	3.5 3.5 3.0		
					8	181	3.4 3.4	118	4.7 4.0	4	90	6.9 8.0 3.4	256	4.0 3.6 2.4	7	154	4.0 4.1 3.5		
					10	116	4.3 4.3	75	5.8 5.0	5	58	8.7 10.0 4.3	164	5.0 4.5 3.0	8	118	4.6 4.7 4.0		
					12	80	5.2 5.2	52	7.0 6.0	6	40	10.4 12.0 5.2	114	6.0 5.4 3.7	9	93	5.2 5.2 4.5		
					14	59	6.0 6.0	38	8.2 7.0	7	30	12.1 14.0 6.0	84	7.0 6.3 4.3	10	75	5.8 5.8 5.0		
T285L G2 36W LED, 3000K, 80CRI Flood	FL	41°	50000	6011	5	240	3.7 3.7	156	5.2 4.3	2	188	3.5 10.2 3.0	531	2.0 3.5 2.1	4	244	2.3 4.2 3.4		
					6	167	4.5 4.5	108	6.3 5.2	3	83	5.2 15.4 4.5	236	3.0 5.2 3.2	5	156	2.9 5.2 4.3		
					7	123	5.2 5.2	80	7.3 6.0	4	47	6.9 20.5 6.0	133	4.0 6.9 4.2	6	108	3.5 6.3 5.2		
					8	94	6.0 6.0	61	8.3 6.9	5	30	8.7 ** 7.5	85	5.0 8.7 5.3	7	80	4.0 7.3 6.0		
					9	74	6.7 6.7	48	9.4 7.8	6	21	10.4 ** 8.9	59	6.0 10.4 6.3	8	61	4.6 8.3 6.9		

**Due to steep aiming angle, length of beam extends beyond 25'.

CRI/CCT Multiplier		
CRI	CCT	Multiplier
80	27K	0.97
	30K	1.00
	35K	1.04
	40K	1.05
90	27K	0.79
	30K	0.82
	35K	0.85
	40K	0.87



TRAC-MASTER®

Classics

36W FLAT BACK CYLINDER LED

T285L G2

Project: _____

Fixture Type: _____

Location: _____

Contact/Phone: _____



DIRECT CANOPY MOUNT

PRODUCT DESCRIPTION

With its integral driver, the cylindrical aesthetic of the T285L Series offers the simplest of form factors. It is designed with a unique, patent pending, precision optical system which produces uniform spot, flood or narrow flood distributions. The 36W T285L Series can deliver up to 3636 lumens, utilizing less than 1/3 of the energy of halogen equivalents and having a rated life of 50,000 hours. It is available in 2700K, 3000K, 3500K and 4000K color temperatures and 80 or 90 CRI versions. These fixtures also have an integral, bayonet-mounted optical system that enables quick conversion between beam spreads. Consult factory for SpectralWhite option. The Canopy Mount version is designed to mount over a standard j-box and is available with a variety of performance options including 277V operation, 347V operation, phase-dimming, and 0-10V dimming.



PRODUCT SPECIFICATIONS

Construction Die cast aluminum housing and vented concealed heat sink provides outstanding thermal management, yielding 70% average lumen maintenance at 50,000 hours of operation • Passively-cooled design – no moving parts to break or wear-out • Fashionable, elegant design complements any decor • Available in white or black painted finishes.

LED High performance LED array provides outstanding reliability, performance and color quality/consistency • 2700K, 3000K, 3500K or 4000K white phosphor high performance LEDs • Chromaticity range within a 3-step MacAdam Ellipse • 80 CRI minimum on standard product • Optional high CRI versions offer 90 CRI minimum • Consult factory for SpectralWhite option.

Electrical/Driver Multi-volt (120-277V, 50/60Hz) phase-dimmable or 0-10V dimmable driver mounted in a deep canopy • Optional 347V 0-10V dimmable driver mounted in a deep canopy • 0-10V dimming requires two (2) additional low-voltage wires to be pulled.

Dimming MVOLT versions are phase-dimmable (120V only) down to 10% or less using high quality, factory-approved dimmers - see [T285LG2-DIM](#) • MVOLT versions are also 0-10V dimmable down to as low as 1% and require two (2) additional low-voltage wires to be pulled • 347V versions are 0-10V dimmable and require two (2) additional low-voltage wires to be pulled.

Reflector Precision designed custom optical system provides either spot, narrow flood or flood beam distributions • Patent pending, multi-step optical system ensures a properly color-mixed beam • Accessory optical assemblies available to quickly and easily convert from one beam distribution to another in the field.

Accessories Filters and lenses may only be installed with Accessory Holder, Snoot or Barn Doors (order separately) • Louver may only be installed with Accessory Holder or Snoot (order separately) • Accessory Holder, Snoot or Barn Doors are externally mounted and attach to fixture using three set screws • Up to two of any combination of filters, lenses and louver may be installed simultaneously.

Mounting Installs over a standard electrical j-box • Accent light is permanently, factory-assembled to the mounting canopy • Universal mounting plate accommodates octagon box and typical j-box mud rings • Mounting plate designed to be installed snug to mounting surface • May be ceiling or wall mounted in any orientation • Driver is assembled into mounting canopy – see Dimensions section for canopy type and dimensions based on option selected • Canopy is securely tethered to mounting plate to facilitate wiring terminations.

Aiming 360° horizontal coverage • Greater than 180° vertical aiming capability.

Labels UL and C-UL Damp Location Listed • Union made • Assembled in U.S.A.

Government Procurement

BAA – Buy America(n) Act: Product qualifies as a domestic end product under the Buy American Act as implemented in the FAR and DFARS. Product also qualifies as manufactured in the United States under DOT Buy America regulations.

BABA – Build America Buy America: Product qualifies as produced in the United States under the definitions of the Build America, Buy America Act.

Please refer to www.acuitybrands.com/buy-american for additional information.

Warranty 5-year limited warranty. This is the only warranty provided and no other statements in this specification sheet create any warranty of any kind. All other express and implied warranties are disclaimed. Complete warranty terms located at: www.acuitybrands.com/support/warranty/terms-and-conditions.

Note: Actual performance may differ as a result of end-user environment and application. All values are design or typical values, measured under laboratory conditions at 25 °C. Specifications subject to change without notice.

TRAC-MASTER®

Classics

36W FLAT BACK CYLINDER LED**T285L G2****DIRECT CANOPY MOUNT****ORDERING INFORMATION**

Ordering Example: T285L CPY G2 30K 80CRI MVOLT NFL BL

Series	Mounting Adapter Type	Generation	Color Temperature	Color Rendering Index	Input Voltage ²
T285L 36W Flat Back Cylinder LED	CPY Canopy Mounting	G2 Gen 2	27K 2700K 30K 3000K 35K 3500K 40K 4000K	80CRI 80 CRI 90CRI 90 CRI Consult factory for SpectralWhite option	MVOLT 120V/277V Operation

Distribution	Finish
SP Spot	BL Black
NFL Narrow Flood	WH White
FL Flood	

Accessories (Order Separately)					
HCLBL 469¹	Hexcell Louver - Black	UVF 469¹	UV Filter	T770BL	4 ¹¹ / ₁₆ " Dia. Accessory Holder - Black
CCLBL 469¹	Cube Cell Louver - Black	DIFF 469¹	Diffusion Lens	T770WH	4 ¹¹ / ₁₆ " Dia. Accessory Holder - White
XBAFLBL 469¹	Cross Baffle - Black	SOLITE 469¹	Uniformity Lens (Solite)	TR10 SPT	Spot Optical Assembly
T5788BL 469	Snoot - Black	PRISM 469¹	Prismatic Spread Lens	TR10 NFLD	Narrow Flood Optical Assembly
EYEBROWBL 469¹	Eyebrow - Black	LSPREAD 469¹	Linear Spread Lens	TR10 FLD	Flood Optical Assembly
CGF 469¹	Color Glass Filter	T5774BL 469	4 ¹¹ / ₁₆ " Dia. Barn Door Accessory - Black		
DGF 469¹	Dichroic Glass Filter				

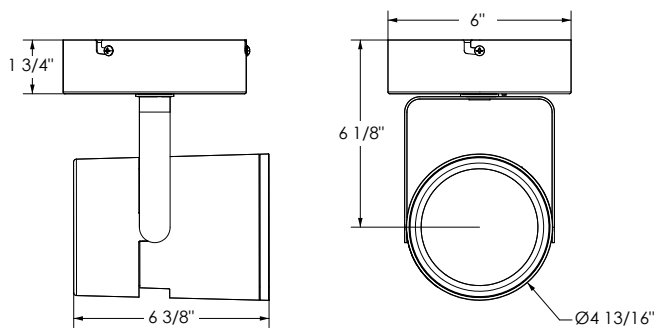
See specification sheet [D1.2.2](#) for details.Other accessories can be found on specification sheet [D1.2.0](#).

Notes:

- Accessory Holder, Snoot or Barn Doors required to install filters or lenses; Accessory Holder or Snoot required to install louver.
- MVOLT option can be either phase-dimmed (120V) or 0-10V dimmed; 347V option is 0-10V dimming only.

TRAC-MASTER®

Classics

36W FLAT BACK CYLINDER LED**T285L G2****DIRECT CANOPY MOUNT****DIMENSIONS****ELECTRICAL DATA**

Input Voltage	120V	277V	347V
Input Wattage (typ.)	36.0	36.3	37.8
Input Current (max.)	0.34A	0.15A	0.13A
Power Factor	>0.99	>0.97	>0.96
T.H.D.	<10%	<20%	<20%

PERFORMANCE DATA¹

Luminaire Catalog	Voltage	Input Wattage	Total Lumen Output	Lumens Per Watt	Rated Life
T285L G2 27K 80CRI SP	120V	36.0	3168	88	50,000
T285L G2 27K 80CRI NFL	120V	36.0	3125	87	50,000
T285L G2 27K 80CRI FL	120V	36.0	3343	93	50,000
T285L G2 27K 90CRI SP	120V	36.0	2798	78	50,000
T285L G2 27K 90CRI NFL	120V	36.0	2759	77	50,000
T285L G2 27K 90CRI FL	120V	36.0	2952	82	50,000
T285L G2 30K 80CRI SP	120V	36.0	3280	92	50,000
T285L G2 30K 80CRI NFL	120V	36.0	3235	90	50,000
T285L G2 30K 80CRI FL	120V	36.0	3462	97	50,000
T285L G2 30K 90CRI SP	120V	36.0	2890	81	50,000
T285L G2 30K 90CRI NFL	120V	36.0	2851	80	50,000
T285L G2 30K 90CRI FL	120V	36.0	3050	85	50,000
T285L G2 35K 80CRI SP	120V	36.0	3380	94	50,000
T285L G2 35K 80CRI NFL	120V	36.0	3333	93	50,000
T285L G2 35K 80CRI FL	120V	36.0	3567	100	50,000
T285L G2 35K 90CRI SP	120V	36.0	2983	83	50,000
T285L G2 35K 90CRI NFL	120V	36.0	2942	82	50,000
T285L G2 35K 90CRI FL	120V	36.0	3148	88	50,000
T285L G2 40K 80CRI SP	120V	36.0	3446	96	50,000
T285L G2 40K 80CRI NFL	120V	36.0	3399	95	50,000
T285L G2 40K 80CRI FL	120V	36.0	3636	102	50,000
T285L G2 40K 90CRI SP	120V	36.0	3089	86	50,000
T285L G2 40K 90CRI NFL	120V	36.0	3046	85	50,000
T285L G2 40K 90CRI FL	120V	36.0	3260	91	50,000

Notes:

¹ Performance data, including Rated Life, is based on measurements of an individual fixture operating at 120V in a 25°C ambient.

TRAC-MASTER®

Classics

36W FLAT BACK CYLINDER LED

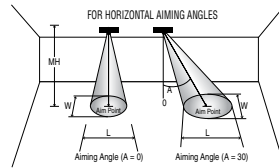
T285L G2

DIRECT CANOPY MOUNT

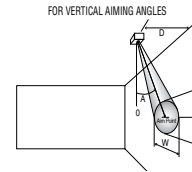
PHOTOMETRICS

CBCP • Centerbeam candlepower
FC • Footcandles at beam center (aim point)

In vertical aiming applications, aim point (X) is determined by dividing distance from the wall (D) by the tangent of the desired aim angle (A) (0.5774 for 30°, 1.0 for 45°, 1.732 for 60°).



Horizontal Aiming Angles



Vertical Aiming Angles



Fixture	Beam Type	Beam Spread	Rated Life	CBCP	0°			30°			30°					45°					60°				
					MH	FC	L	W	FC	L	W	D	FC	X	L	W	FC	X	L	W	D	FC	X	L	W
T285L G2 36W LED, 3000K, 80CRI Spot	SP	15°	50000	25388	10	254	2.7	2.7	165	3.6	3.1	4	198	6.9	4.5	2.1	561	4.0	2.2	1.5	8	258	4.6	2.8	2.4
					12	176	3.2	3.2	115	4.3	3.7	6	88	10.4	6.7	3.2	249	6.0	3.2	2.2	10	165	5.8	3.6	3.1
					14	130	3.7	3.7	84	5.0	4.3	8	50	13.9	9.0	4.2	140	8.0	4.3	3.0	12	115	6.9	4.3	3.7
					16	99	4.2	4.2	64	5.7	4.9	10	32	17.3	11.2	5.3	90	10.0	5.4	3.7	14	84	8.1	5.0	4.3
					18	78	4.8	4.8	51	6.4	5.5	12	22	20.8	13.4	6.4	62	12.0	6.5	4.5	16	64	9.2	5.7	4.9
T285L G2 36W LED, 3000K, 80CRI Narrow Flood	NFL	24°	50000	11581	6	322	2.6	2.6	209	3.5	3.0	3	161	5.2	6.0	2.6	455	3.0	2.7	1.8	6	209	3.5	3.5	3.0
					8	181	3.4	3.4	118	4.7	4.0	4	90	6.9	8.0	3.4	256	4.0	3.6	2.4	7	154	4.0	4.1	3.5
					10	116	4.3	4.3	75	5.8	5.0	5	58	8.7	10.0	4.3	164	5.0	4.5	3.0	8	118	4.6	4.7	4.0
					12	80	5.2	5.2	52	7.0	6.0	6	40	10.4	12.0	5.2	114	6.0	5.4	3.7	9	93	5.2	5.2	4.5
					14	59	6.0	6.0	38	8.2	7.0	7	30	12.1	14.0	6.0	84	7.0	6.3	4.3	10	75	5.8	5.8	5.0
T285L G2 36W LED, 3000K, 80CRI Flood	FL	41°	50000	6011	5	240	3.7	3.7	156	5.2	4.3	2	188	3.5	10.2	3.0	531	2.0	3.5	2.1	4	244	2.3	4.2	3.4
					6	167	4.5	4.5	108	6.3	5.2	3	83	5.2	15.4	4.5	236	3.0	5.2	3.2	5	156	2.9	5.2	4.3
					7	123	5.2	5.2	80	7.3	6.0	4	47	6.9	20.5	6.0	133	4.0	6.9	4.2	6	108	3.5	6.3	5.2
					8	94	6.0	6.0	61	8.3	6.9	5	30	8.7	**	7.5	85	5.0	8.7	5.3	7	80	4.0	7.3	6.0
					9	74	6.7	6.7	48	9.4	7.8	6	21	10.4	**	8.9	59	6.0	10.4	6.3	8	61	4.6	8.3	6.9

**Due to steep aiming angle, length of beam extends beyond 25'.

CRI/CCT Multiplier		
CRI	CCT	Multiplier
80	27K	0.97
	30K	1.00
	35K	1.04
	40K	1.05
90	27K	0.79
	30K	0.82
	35K	0.85
	40K	0.87