



Gotham Architectural Downlighting
LED Downlights

6" Incito Cylinder

Solid-State Lighting
(US and International Patents Pending)



FEATURES

INTENDED USE

- Achieve the lowest installed power density and operating costs while achieving every layer of light via the optimized general illumination distributions from the EVO family, and the high centerbeam accent layers from the highly flexible Incito family. The EVO and Incito families maintain consistent luminous apertures, dimming characteristics, and color quality to ensure the blending of families in common spaces renders an unparalleled, tailored visual experience.

OPTICAL SYSTEM

- Self-flanged, specular, semi-specular or matte-diffuse lower reflector in combination with highly transmissive lens provides unparalleled performance and efficiency.
- Patented Bounding Ray™ Optical Principle design (U.S. Patent No. 5,800,050) provides smooth and continuous transition from lensed source to the top of the reflector down to the bottom of the reflector.

HOUSING

- Heavy-gauge aluminum housing with top deck for clean appearance. Provided with safety chain on ceiling and pendant units, allowing hands-free wiring connections. Textured polyester powder paint finish.

MOUNTING

- Ceiling mount provided with mounting pattern for direct installation to 4" octagonal or square junction box.
- Wall mount provided with mounting pattern for direct installation to 4" octagonal or square junction box.
- EDXB driver includes a 3-foot DMX signal cable when ordered with FCM, WM, or WWML mounting option. Fixture includes 10-foot DMX signal cable when ordered with PM, PMWL, or ACC mounting option.

- Pendant-mount entry provided for 3/8" National Pipe Thread stem. Additional pendant options available (see Accessories). Pendant-mount includes 10 feet of line voltage wires.

ELECTRICAL SYSTEM

- Solid-state LED light engine available in 2700 K, 3000 K, 3500 K or 4000 K color temperatures. CRI: 85 typical.
- eldoLED ecoDrive 0-10V driver available with 10% dimming level.
- eldoLED ecoDrive 0-10V driver available with 1% dimming level.
- eldoLED SOLOdrive 0-10V driver available with <1% dimming level.
- eldoLED SOLOdrive DALI driver available with <1% dimming level.
- eldoLED POWERdrive DMX with RDM (remote device management) available with <1% dimming level.
- Rated system life of 60,000 hours at >70% output.
- Tested in accordance with LM-79 and LM-80 standards.

LISTINGS

- Fixtures are CSA certified to meet US and Canadian standards. Series suitable for damp locations. Ceiling mount suitable for wet locations, covered ceiling. Pendant and wall mount wet location available as option.

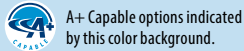
BUY AMERICAN

- This product is assembled in the USA and meets the Buy America(n) government procurement requirements under FAR, DFARS and DOT. Please refer to www.acuitybrands.com/buy-american for additional information.

WARRANTY

- 5-year limited warranty. Complete warranty terms located at: www.acuitybrands.com/CustomResources/Terms_and_conditions.aspx

Note: Actual performance may differ as a result of end user environment and application. All values are design or typical values, measured under laboratory conditions at 25 °C.



EXAMPLE: ICO CYL 30/60 6AR LSS 20D 120 EZB FCM DWHG

Series	Color temperature	Nominal lumen values ¹				Aperture/Trim color		Finish		Beam				Voltage		
ICO CYL	27/ 2700 K	20	2000 lumens	55	5500 lumens	6AR	Clear	LSS	Semi-specular	20D	20° beam angle	45D	45° beam angle	MVOLT 120 277		
	30/ 3000 K	25	2500 lumens	60	6000 lumens	6PR	Pewter			25D	25° beam angle	55D	55° beam angle			
	35/ 3500 K	30	3000 lumens	65	6500 lumens	6WTR	Wheat			LD	Matte diffuse	30D	30° beam angle		60D	60° beam angle
	40/ 4000 K	35	3500 lumens	70	7000 lumens	6GR	Gold					35D	35° beam angle		65D	65° beam angle
		40	4000 lumens	75	7500 lumens	6WR ²	White	40D	40° beam angle	70D	70° beam angle					
		45	4500 lumens	80	8000 lumens	6BR ²	Black									
		50	5000 lumens	85	8500 lumens											

Driver	Mounting	Options
EZ10 eldoLED 0-10V ECOdrive. Linear dimming to 10% min.	FCM Ceiling mount	NPS80EZ⁶ nLight® dimming pack controls 0-10V eldoLED drivers.
EZ1 eldoLED 0-10V ECOdrive. Linear dimming to 1% min.	WM³ Wall mount	
EZB eldoLED 0-10V SOLOdrive. Logarithmic dimming to <1%.	WMWL³ Wall mount, wet location	NPS80EZ ER^{6,7} nLight® dimming pack controls 0-10V eldoLED drivers. ER controls fixtures on emergency circuit.
EDAB eldoLED SOLOdrive DALI. Logarithmic dimming to <1%.	PM⁴ Pendant 3/8" thread mount	
EDXB eldoLED POWERdrive DMX with RDM (remote device management). Square Law dimming to <1%. Includes termination resistor. Refer to DMXR Manual .	PMWL⁴ Pendant 3/8" thread mount, wet location	RRL__ RELOC®-ready luminaire connectors enable a simple and consistent factory installed option across all ABL luminaire brands. Refer to RRL for complete nomenclature. Available only in RRLA, RRLB, RRLAE, and RRLC12S.
	ACC⁵ 10ft aircraft cable and cord mount	CR190 High CRI (90+)
	ACC180⁵ 15ft aircraft cable and cord mount	
		Architectural Colors - Powder Paint⁸
		DWHG Matte white
		DDB Dark bronze
		DBL Black
		DWH Gloss white
		DMB Medium bronze
		DNA Natural aluminum
		DSS Sandstone
		DGC Charcoal grey
		DTC Tennis green
		DBR Bright red
		DSB Steel blue

ORDERING INFORMATION

6" INCITO CYLINDER

Open Cylinder
Solid-State Lighting



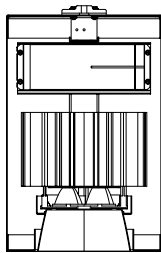
ORDERING INFORMATION

ACCESSORIES order as separate catalog numbers (shipped separately)

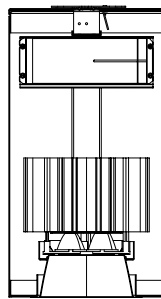
CYS⁹	3/8" stem and canopy with 5° "hang straight" swivel	CRSX⁹	3/8" stem and canopy with 45° swivel. Use this nomenclature when ordering EDXB driver.
CRS⁹	3/8" stem and canopy with 45° swivel	SDT 347/277/120 395VA AD¹⁰	347V Step-down transformer
CYSX⁹	3/8" stem and canopy with 5° "hang straight" swivel. Use this nomenclature when ordering EDXB driver.		

DIMENSIONAL DATA

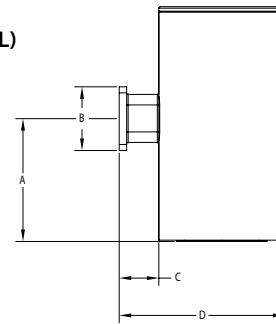
All dimensions are inches (centimeters) unless otherwise noted.



-Aircraft Cable (ACC)
-Pendant Mount (PM)
-Wall Mount (WM)
Aperture: 6-1/4 [15.8]
Housing Diameter: 10-1/2 [26.7]
Housing Height: 16-1/16 [40.8]
Damp Location Listed



-Ceiling Mount (FCM)
-Pendant Mount Wet Location (PMWL)
-Wall Mount Wet Location (WMWL)
Aperture: 6-1/4 [15.8]
Housing Diameter: 10-1/2 [26.7]
Housing Height: 19-1/2 [49.6]
Wet Location Listed



Wall Mount Side View
A = 9-3/8 (23.8)
B = 5-5/16 (13.5)
C = 3-1/4 (8.3)
D = 13-3/4 (34.9)

ELECTRICAL

WATTAGE CONSUMPTION MATRIX

LUMENS	BEAM ANGLES									
	20	25	30	35	40	45	55	60	65	70
8500	95.5	95.5	95.5	95.5	95.5	108.7	108.7	108.7	108.7	108.7
8000	91	91	91	91	91	99.8	99.8	99.8	99.8	99.8
7500	82.3	82.3	82.3	82.3	82.3	95.5	95.5	95.5	95.5	95.5
7000	73.6	73.6	73.6	73.6	73.6	86.7	86.7	86.7	86.7	86.7
6500	69.3	69.3	69.3	69.3	69.3	82.3	82.3	82.3	82.3	82.3
6000	60.9	60.9	60.9	60.9	60.9	73.6	73.6	73.6	73.6	73.6
5500	56.9	56.9	56.9	56.9	56.9	65.1	65.1	65.1	65.1	65.1
5000	48.3	48.3	48.3	48.3	48.3	60.9	60.9	60.9	60.9	60.9
4500	44.2	44.2	44.2	44.2	44.2	52.5	52.5	52.5	52.5	52.5
4000	40.2	40.2	40.2	40.2	40.2	43.4	43.4	43.4	43.4	43.4
3500	34	34	34	34	34	37	37	37	37	37
3000	28.4	28.4	28.4	28.4	28.4	31	31	31	31	31
2500	26.3	26.3	26.3	26.3	26.3	28.4	28.4	28.4	28.4	28.4
2000	26.3	26.3	26.3	26.3	26.3	26.3	26.3	26.3	26.3	26.3

nLight® Control Accessories:

Order as separate catalog number. Visit www.acuitybrands.com/products/controls/nlight for complete listing of nLight controls.

WallPod stations	Model number	Occupancy sensors	Model number
On/Off	nPODM [color]	Small motion 360°, ceiling (PIR / dual tech)	nCM 9 / nCM PDT 9
On/Off & Raise/Lower	nPODM DX [color]	Large motion 360°, ceiling (PIR / dual tech)	nCM 10 / nCM PDT 10
Graphic Touchscreen	nPOD GFX [color]	Wide view (PIR / dual tech)	nWV 16 / nWV PDT 16
Photocell controls	Model number	Wall Switch w/ Raise/Lower (PIR / dual tech)	nWSX LV DX / nWSX PDT LV DX
Dimming	nCM ADCX	Cat-5 cables (plenum rated)	Model number
		10', CAT5 10FT	CAT5 10FT J1
		15', CAT5 15FT	CAT5 15FT J1

NOTES

ORDERING NOTES

- Nominal downlight lumens.
- Not available with finishes.
- Access panel (supplied by others) recommended for use with nLight®.
- Must specify stem and canopy. See Accessories.
- White cord with white housings. All others black cord.
- Interface remote mounted.
- For use with generator supply EM power. Will require an emergency hot feed and normal hot feed.
- Additional architectural colors available; see www.lithonia.com/archcolors.
- Color and length of stem must be specified (from 6" to 240" in even increments in maximum sections of 48"). Ex.: CYS06 DWHG. Ceiling attachment for interior use. Consult factory for exterior use. Wires supplied by others.
- Transformer must be field-installed to an accessible remote-mounted junction box.



PHOTOMETRY

CONSULT WWW.GOTHAMLIGHTING.COM FOR PHOTOMETRY

Choose Wall Controls.

nLIGHT offers multiple styles of wall controls – each with varying features and user experience.

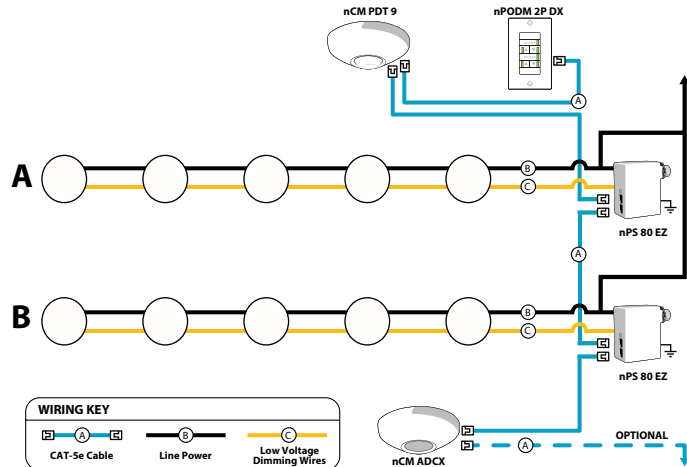


Push-Button WallPod
Traditional tactile buttons and LED user feedback



Graphic WallPod
Full color touch screen provides a sophisticated look and feel

CONTROLS



EXAMPLE

Group Fixture Control*

*Application diagram applies for fixtures with eldoLED drivers only.

- nPS 80 EZ Dimming/Control Pack (qty 2 required)
- nPODM 2P DX Dual On/Off/Dim Push-Button WallPod
- nCM ADCX Daylight Sensor with Automatic Dimming Control
- nCM PDT 9 Dual Technology Occupancy Sensor

Description: This design provides a dual on/off/dim wall station that enables manual control of the fixtures in Row A and Row B separately. Additionally, a daylight harvesting sensor is provided so the lights in row B can be configured to dim automatically when daylight is available. An occupancy sensor turns off all lights when the space is vacant.

A+ Capable Luminaire

This item is an A+ capable luminaire, which has been designed and tested to provide consistent color appearance and out-of-the-box control compatibility with simple commissioning.

- All configurations of this luminaire meet the Acuity Brands' specification for chromatic consistency
- This luminaire is part of an A+ Certified solution for nLight® control networks when ordered with drivers marked by a shaded background*
- This luminaire is part of an A+ Certified solution for nLight control networks, providing advanced control functionality at the luminaire level, when selection includes driver and control options marked by a shaded background*

To learn more about A+, visit www.acuitybrands.com/aplus.

*See ordering tree for details