

ENVIRONMENTALLY FRIENDLY, ENERGY EFFICIENT

- Lumen packages suitable for ceiling heights ranging from 8' to over 50'
- Efficacies up to 123 lm/w
- Superior-quality white LED light output using Chip on Board technology
- Patented Hyperbolic Reflector (U.S. Patent No. 10,670,227 B2)
- **Low UGR:** UGR of zero for fixtures aimed at nadir with a cut-off equal to or less than 60deg per CIE 117-1995 Discomfort Glare in Interior Lighting.

PRODUCT SPECIFICATIONS

Atrius™ - Ready Product: Select models of the L-series product line deliver valuable data and connectivity to the Atrius IoT location based platform services. For more information, please refer to www.acuitybrands.com/Atrius.

OPTICS

Hyperbolic Reflector: Patented hyperbolic shape (U.S. Patent No. 10,670,227 B2) optimized for small, directional LED source, maximizes fixture efficiency while reducing lamp image and aperture brightness

• Geometry of hyperbolic curve provides unique aperture appearance and smoother light distribution

Parabolic Cone/Lens: Computer-optimized parabolic cone with frosted convexed lens regressed into cone provides uniform distribution with no striations

Baffle: White or black painted deep multi-groove aluminum baffle insert with integral white painted flange and frosted convexed glass lens

Wallwash Cone/Lens: Computer-optimized trim with integral wall wash kicker and frosted convexed lens regressed into cone provides uniform distribution with no striations

ELECTRICAL

LED Light Engine: Compact light source delivers uniform illumination without pixilation, enabling excellent beam control • 2SDCM (5000K within 3SDCM) • 80, 90 & 97 CRI

• Light engine mounts directly to heat sink and is easily replaceable

Passive Cooling: Cast aluminum heat sink integrated directly with housing provides superior thermal management to ensure the long life of LED

LED Driver: Power factor >0.9

Dimming: Dimmable via 0-10V protocol standard • Optional drivers available for use with eldoLED, Lutron EcoSystem, 2-wire dimmers, DMX, or DALI • For a list of compatible dimmers, see [LED-DIM](#).

Life: Rated for 60,000 hours at 70% lumen maintenance

Emergency Battery Pack (Optional) output: Provides a minimum of 600 (BR), or 1000 (HBR) lumens for a minimum duration of 90 minutes • Remote mounted, field installed

• BR option is CEC Title 20 compliant

J7.2.2G4



800 TO 5500 LUMEN
8" LED CYLINDER

HYPERBOLIC / PARABOLIC / WALLWASH / OPEN APERTURE
LC8 SERIES

Type	Cat. No.
_____	_____
Project: _____	
Notes: _____	

BUY AMERICAN ACT: This product is assembled in the USA and meets the Buy America(n) government procurement requirements under FAR, DFARS and DOT regulations. Please refer to www.acuitybrands.com/buy-american for additional information.

Warranty: 5 years when used in accordance with manufacturing guidelines. This is the only warranty provided and no other statements in this specification sheet create any warranty of any kind. All other express and implied warranties are disclaimed.

Note: Actual performance may differ as a result of end-user environment and application. Specifications subject to change without notice.



SURFACE MOUNT



PENDANT MOUNT



WALL MOUNT



CABLE MOUNT



A+ Capable options indicated by this color background

ORDERING INFORMATION Complete Catalog# Example Includes (Rough-In, option, reflector, accessory) Ordering Example: LC8P 08LM 27K MVOLT B G4 80CRI ZT HW CS PF

ROUGH-IN

Series	Mounting Options	Light Engine	Color Temperature	Voltage	Cylinder Color	Generation	CRI	Driver	Rough-In Options							
LC8 8" L-Series Cylinder	Surface	08LM	27K 2700K	120	B Black	G4	80CRI	EDAB ⁶ eldoLED SOLOdrive DALI. Logarithmic dimming to <1%	F2 ⁴ Fuse and Fuse Holder							
		13LM	30K 3000K	277	W White		90CRI			BR ^{2,11} 600 Lumen Emergency Battery Pack w/Remote Test Switch (CEC Title 20 Compliant)						
		15LM	35K 3500K	347 ⁶	S Silver		97CRI ¹									
	Pendant	17LM	40K 4000K	MVOLT (120-277)							EDXB ^{2,5,9} eldoLED POWERdrive DMX/RDM w/ Phoenix Connectors. Dimming to <1%	HBR ^{2,5} 1000 Lumen Emergency Battery Pack w/Remote Test Switch				
		23LM	50K 5000K										EZ1 ⁶ eldoLED 0-10V ECOdrive. Linear dimming to 10% min.	NL ¹⁰ nLight® Dimming Pack Controls		
		28LM													EZB ⁶ eldoLED 0-10V SOLOdrive. Logarithmic dimming to <1%	NLER ¹⁰ nLight® dimming pack controls. nLER controls fixtures on emergency circuit
		33LM														
	Wall	40LM		ECOD ^{2,7,14} Lutron Ecosystem 2-Wire Dimming Driver	NLTAIRER ^{2,10,16} nLight® AIR Dimming Pack Wireless Controls. Controls fixtures on emergency circuit											
		45LM					ZT 0-10V Dimming to 10% min			AE2CD ^{15,16} Atrius™ - Ready, VLC Commissioning, Radio (BT Positioning)						
	Cable	50LM		ZT 0-10V Dimming to 1% min	GZ1 ⁶ 0-10V Dimming to 1% min						AE2BN ^{15,16} Atrius Enabled, BT3, BLE only, Power supply only					
55LM																

REFLECTOR To order reflector separately, use "L8" prefix before reflector option values. Ex: L8 HW CS PF

Trim Style			Finish						Trim Options	
HM	Hyperbolic Medium	P	Parabolic	BD	Black Diffuse	CD	Clear Diffuse	PTD	Pewter Diffuse	PF¹³ White Flange
HW	Hyperbolic Wide	WPR¹⁷	Parabolic Wide	BS	Black Specular	CS	Clear Specular	PTS	Pewter Specular	
HWS	Hyperbolic Single Wall Wash	WC	Corner Wall Wash			CSS	Clear Semi-Specular	WH	White, White Flange	
		WD	Double Wall Wash			GD	Gold Diffuse	WTD	Wheat Diffuse	
		WS	Single Wall Wash			GS	Gold Specular	WTS	Wheat Specular	

MOUNTING HARDWARE Add mounting hardware to the end of the complete catalog #. Mounting hardware option **must** match fixture option.
 EX: LC8P 08LM MVOLT B G4 80CRI **BR** ZT HW CS PF PSTEM 18IN BLPEN **PBR**

Pendant Mount	Length	Color	Options
PSTEM Pendant Stem for use with LC8P only	18IN	WPEN	PBR Battery Pack
	18"	White	PHBR
	24IN	BLPEN	High Lumen Battery Pack
	24"	Black	PDMXR
	36IN	SPEN	DMX/RDM Driver
	36"	Silver	PAE2CD
	48IN		Atrius™ - Ready, VLC Commissioning, Radio (BT Positioning)
	48"		

Cable Mount	Length	Color
CSTEM Cable Stem for use with LC8C only	18IN	WCAB
	18"	White with White Cord
	48IN	BLCAB
	48"	Black with Black Cord
	120IN	SCAB
	120"	Silver with Black Cord

Ordering Notes

- 1 2700K & 3000K only.
- 2 Not available with 347V.
- 3 120V only.
- 4 Specify voltage.
- 5 Not compatible with cable mount.
- 6 Not available for 45LM and up.
- 7 Not available for 33LM and up.
- 8 Not available for 55LM.
- 9 Not available for 40LM and up.
- 10 Only compatible with EZ1, GZ1, EZB, EZ10 drivers.
- 11 Can not be dimmed when used with cable mount (CSTEM).
- 12 Not compatible with BR or HBR.
- 13 PF not available with WH finish. When specifying WH finish, flange is always painted white.
- 14 Not compatible with BR, or HBR.
- 15 See AE2CD/AE2BN notes in following table for compatibility with other options.
- 16 NLTAIR2, NLTAIRER2, AE2CD, AE2BN not recommended for metal ceiling installations.
- 17 WPR available with CS, CSS, CD, WH finishes only.

AE2CD Notes

Not available with LC8C/CSTEM (Cable mount).
 Not available with 45LM, 50LM, 55LM.
 Only compatible with EZ1 driver.
 BR, HBR, NL, NLER, NLTAIR2, NLTAIRER2 not compatible with AE2CD.
 Recommended ceiling height of 30' and under; not intended for use on ceilings greater than 40' or metal ceiling installations.

The Bluetooth® word mark and logos are registered trademarks owned by Bluetooth SIG, Inc. and any use of such marks by Acuity Brands Lighting is under license.

AE2BN Notes

Only available with LC6C/CSTEM (Cable Mount)
 Not available with 45LM, 50LM, or 55LM
 Only compatible with EZ1 driver.
 BR, HBR, NL, NLER, NLTAIR2, NLTAIRER2 not compatible with AE2BN
 Recommended ceiling height of 30' and under, not intended for use on ceiling greater than 40' or metal Ceiling installations.

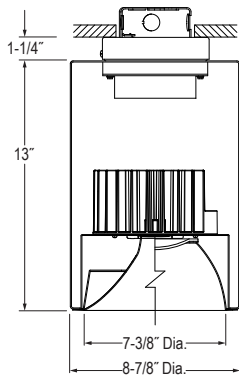
PRODUCT SPECIFICATIONS (cont.)

MECHANICAL

Housing: One piece heavy gauge aluminum with white, black or silver baked textured powder coat finish.

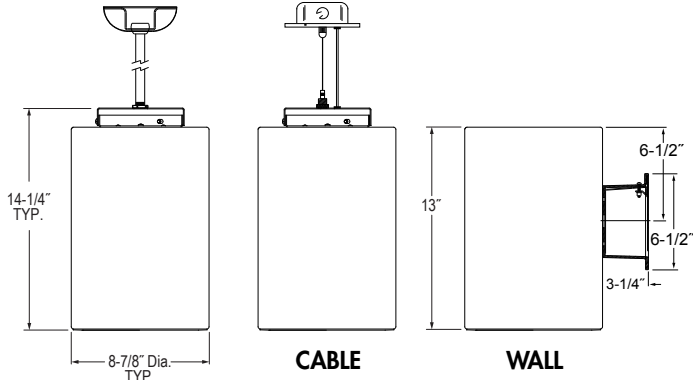
Mounting: Available for surface, pendant, cable or wall mounting • Pendant mounting features hang straight pendant mounting kits that allows for mounting on to sloped ceilings with an angle up to 35°

DIMENSIONS



SURFACE MOUNT

MOUNTING DETAIL:

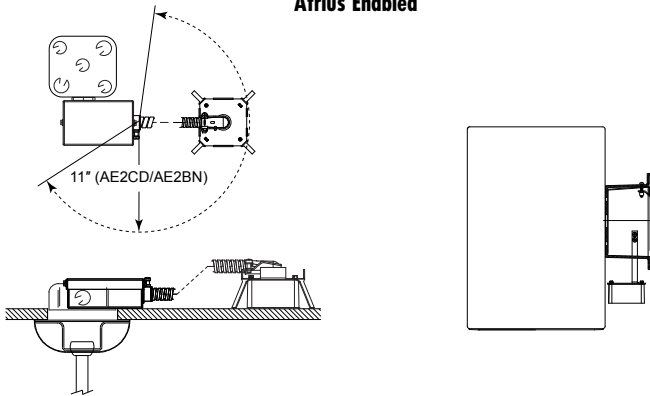


PENDANT


CABLE

WALL

Atrius Enabled



ENERGY STAR® certified

PRODUCT#		FIXTURE CONFIGURATIONS = ENERGY STAR	
	LC8(M) (WW)LM (XX)K MVOLT G4 (YY)CRI (ZZ) (CC)	Mounting Option:	M = S, P, W, C
		Lumen Package:	WW = 08, 13, 15, 17, 23, 28, 33, 40, 45, 50, 55
		CCT:	XX = 27, 30, 35, 40, 50
		Voltage:	MVOLT (120V-277V)
		CRI:	YY = 80, 90, 97
		Driver:	UU = FD, EZ1, EZ10, EZB, ZT, GZ1
		Trim Type:	ZZ = HM, HW, P, WPR
	Trim Color/Finish:	CC = CS, CSS, CD	

LABELS AND LISTINGS

• Tested to UL1598 and CSA C22.2 250 and listed for damp locations • RoHS compliant • EMI complies with FCC 47, Part 15, Class A • ENERGY STAR® certified, see table above for designated products • I.B.E.W. Union made

PERFORMANCE

LIGHT ENGINE	08LM	13LM	15LM	17LM	23LM	28LM	33LM	40LM	45LM	50LM	55LM
120V (50/60HZ)											
INPUT CURRENT	0.063	0.098	0.115	0.132	0.180	0.221	0.263	0.334	0.328	0.364	0.410
INPUT WATTAGE	7.53	11.74	13.66	15.82	21.52	26.46	31.62	40.14	39.41	43.54	49.08
THD%	6.42	5.19	4.61	3.86	5.09	5.46	4.43	4.53	6.03	6.03	6.23
POWER FACTOR	0.993	0.993	0.992	0.994	0.994	0.995	0.997	0.998	0.996	0.996	0.996
277V (50/60HZ)											
INPUT CURRENT	0.031	0.048	0.056	0.063	0.085	0.100	0.123	0.150	0.153	0.167	0.187
INPUT WATTAGE	7.87	11.84	13.81	15.89	21.65	26.19	31.83	39.68	39.74	43.80	49.02
THD%	12.00	11.62	11.31	11.34	9.93	9.04	10.48	8.79	9.15	8.07	9.85
POWER FACTOR	0.904	0.885	0.887	0.907	0.918	0.943	0.932	0.953	0.934	0.943	0.944
347V (50/60HZ)											
INPUT CURRENT	0.025	0.038	0.043	0.050	0.067	0.083	0.099	0.128	*	*	*
INPUT WATTAGE	8.59	12.99	14.91	17.15	23.20	28.54	34.05	44.12	*	*	*
THD%	13.05	11.53	10.41	9.69	7.79	7.26	6.54	5.77	*	*	*
POWER FACTOR	0.987	0.992	0.990	0.991	0.992	0.995	0.993	0.996	*	*	*
HYPERBOLIC REFLECTOR: L8 HW CS (35K 80CRI)											
DELIVERED LUMENS (L8 HW CS)	833	1,390	1,606	1,828	2,461	2,968	3,454	4,199	4,596	5,030	5,570
EFFICACY (LPW)	111	118	118	116	114	112	109	105	117	116	113
PARABOLIC REFLECTOR: L8 P CS (35K 80CRI)											
DELIVERED LUMENS (L8 P CS)	653	1,089	1,259	1,433	1,929	2,326	2,389	3,292	3,677	4,024	4,456
EFFICACY (LPW)	87	93	92	91	90	88	76	82	93	92	91

OPTICAL DISTRIBUTIONS

HYPERBOLIC BEAM SPREAD		
Trim	08LM - 40LM	45LM-55LM
L8 HM CS	37°	37°
L8 HM CSS	37°	37°
L8 HM CD	45°	45°
L8 HW CS	56°	56°
L8 HW CSS	55°	55°
L8 HW CD	64°	64°

PARABOLIC BEAM SPREAD		
Trim	08LM - 40LM	45LM-55LM
L8 P CS	55°	55°
L8 P CSS	58°	61°
L8 P CD	69°	73°
L8 WPR CS	84°	83°
L8 WPR CSS	83°	83°
L8 WPR CD	83°	84°

LUMEN MULTIPLIERS

CCT	MULTIPLIER
2700K	0.90
3000K	0.96
3500K	1.00
4000K	1.01
5000K	1.04

HYPERBOLIC TRIM	MULTIPLIER
L8 HM CS	0.99
L8 HM CSS	0.96
L8 HM CD	0.89
L8 HW CS	1.00
L8 HW CSS	0.98
L8 HW CD	0.87

PARABOLIC TRIM	MULTIPLIER
L8 P CS	1.00
L8 P CSS	0.97
L8 P CD	0.94
L8 WPR CS	0.98
L8 WPR CSS	0.96
L8 WPR CD	0.91

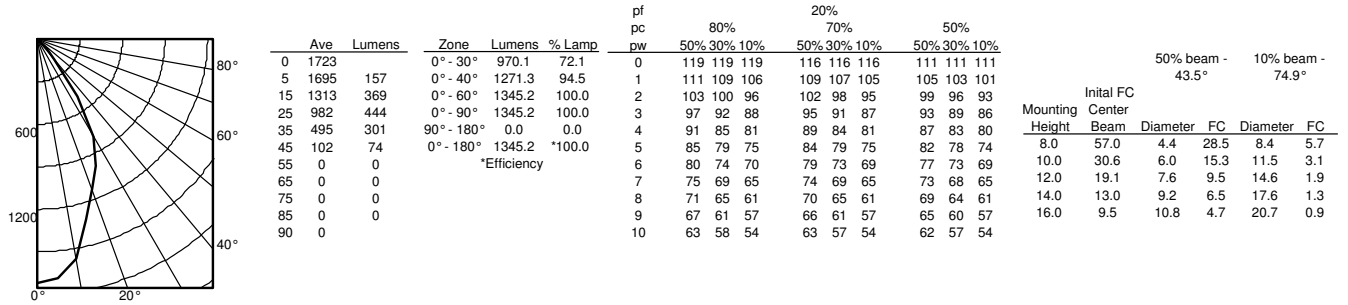
CRI	MULTIPLIER
80CRI	1.00
90CRI	0.83
97CRI	0.77

Applying Lumen Multipliers to Calculate Delivered Lumens								
Base Fixture Delivered Lumens (from Performance Table)	x	CCT Multiplier	x	CRI Multiplier	x	Trim Multiplier	=	Delivered Lumens for Desired Fixture and Reflector
Example: LC8S 23LM 30K MVOLT 90CRI G4 ZT HM CD								
2461 Lumens	x	0.96	x	0.83	x	0.89	=	1745 Lumens

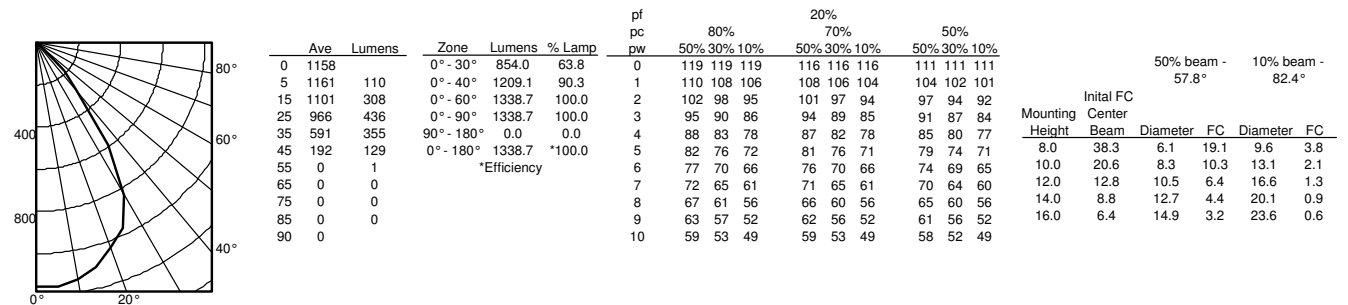
HYPERBOLIC PHOTOMETRICS

Distribution Curve Distribution Data Output Data Coefficient of Utilization Illuminance Data at 30" Above Floor for a Single Luminaire

LC8S 13LM 35K + L8 HM CS, 3500K LEDs, input watts: 11.74, delivered lumens: 1345.2, LM/W = 114.6, Spacing Criteria: 0.8, test no. PR07171881, tested in accordance to IESNA LM-79.



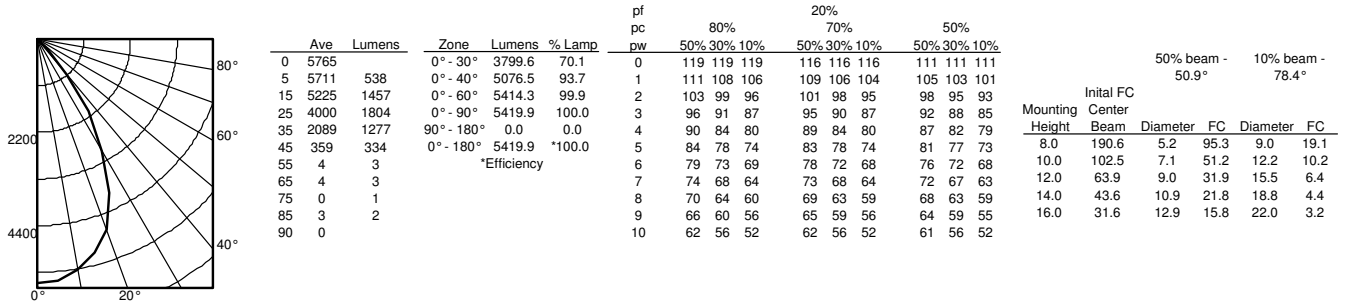
LC8S 13LM 35K + L8 HW CS, 3500K LEDs, input watts: 11.74, delivered lumens: 1338.7, LM/W = 114.0, Spacing Criteria: 1.1, test no. PR07171884, tested in accordance to IESNA LM-79.



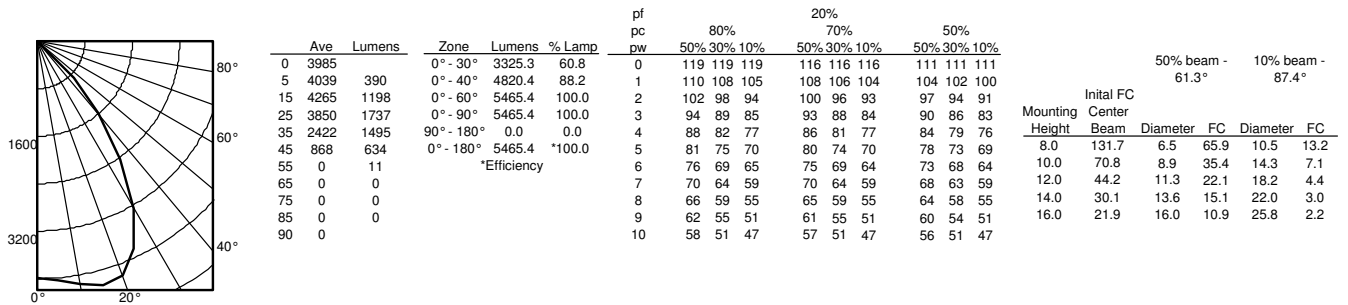
HYPERBOLIC PHOTOMETRICS

Distribution Curve Distribution Data Output Data Coefficient of Utilization Illuminance Data at 30" Above Floor for a Single Luminaire

LC8S 55LM 35K + L8 HM CS, 3500K LEDs, input watts: 51.08, delivered lumens: 5419.9, LM/W = 106.1, Spacing Criteria: 1.0, test no. PR07171274, tested in accordance to IESNA LM-79.



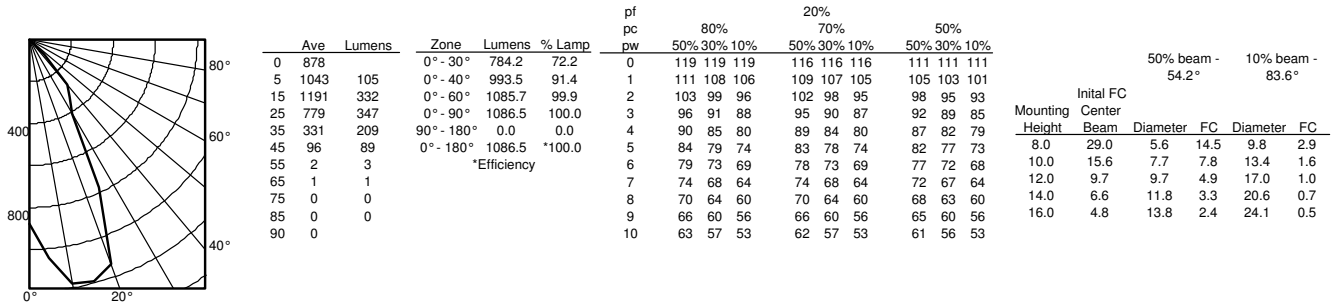
LC8S 55LM 35K + L8 HW CS, 3500K LEDs, input watts: 51.08, delivered lumens: 5465.4, LM/W = 107.0, Spacing Criteria: 1.2, test no. PR07171291, tested in accordance to IESNA LM-79.



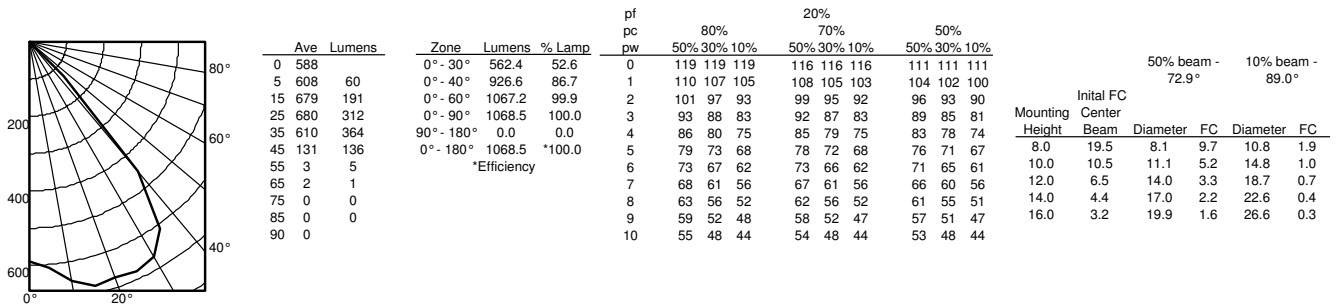
PARABOLIC PHOTOMETRICS

Distribution Curve Distribution Data Output Data Coefficient of Utilization Illuminance Data at 30" Above Floor for a Single Luminaire

LC8S 13LM 35K + L8 P CS, 3500K LEDs, input watts: 11.74, delivered lumens: 1086.5, LM/W = 92.5, Spacing Criteria: 1.0, test no. PR1171591P8, tested in accordance to IESNA LM-79.



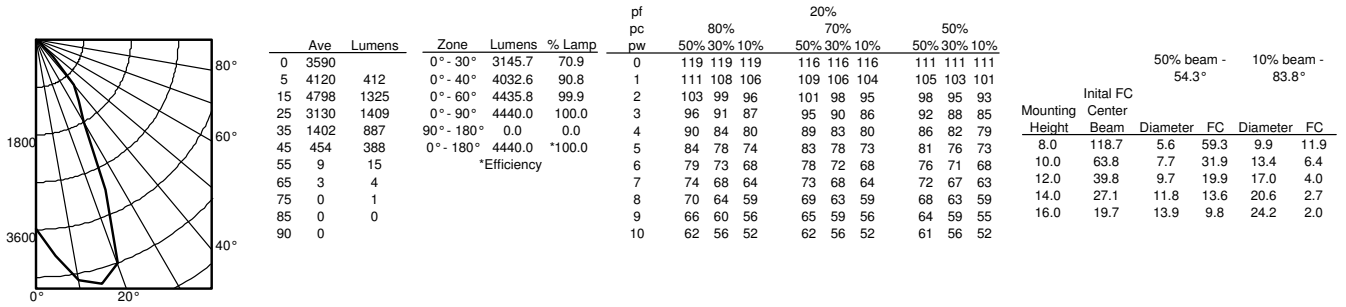
LC8S 13LM 35K + L8 WPR CS, 3500K LEDs, input watts: 11.74, delivered lumens: 1068.5, LM/W = 91, Spacing Criteria: 1.5, test no. PR1171594P8, tested in accordance to IESNA LM-79.



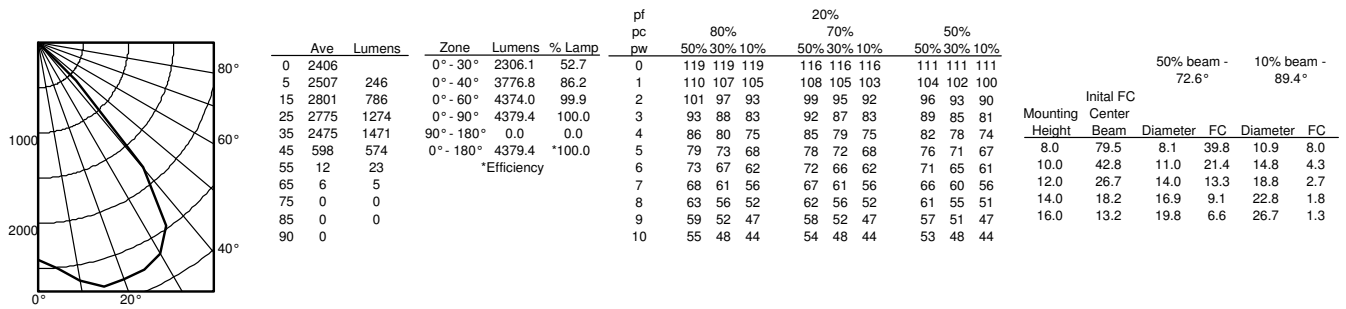
PARABOLIC PHOTOMETRICS

Distribution Curve Distribution Data Output Data Coefficient of Utilization Illuminance Data at 30" Above Floor for a Single Luminaire

LC8S 55LM 35K + L8 P CS, 3500K LEDs, input watts: 51.08, delivered lumens: 4440.0, LM/W = 86.9, Spacing Criteria: 1.0, test no. PR11170994P13, tested in accordance to IESNA LM-79.



LC8S 55LM 35K + L8 WPR CS, 3500K LEDs, input watts: 51.08, delivered lumens: 4379.4, LM/W = 85.7, Spacing Criteria: 1.5, test no. PR11171092P13, tested in accordance to IESNA LM-79.



PERFORMANCE DATA

LUMINAIRES SPACED 2' FROM WALL

Catalog Number: LC8(X) 55LM 35K MVOLT G4 80CRI ZT; L8 HWS CSS Spread: Single Wall Test #: PR07152391P

Single Unit							Lamp	Multiple Units On 2' Centers*			Multiple Units On 3' Centers*			Multiple Units On 4' Centers*		
Lateral Distance From Fixture 2' From Wall							BXRA N4000 4000K	Spaced 2' From Wall			Spaced 2' From Wall			Spaced 2' From Wall		
0'	1'	2'	3'	4'	5'	Distance From Ceiling	CL	CL	CL	CL	CL	CL	CL	CL	CL	
76	52	22	8	4	4	1'	121	117	121	91	73	91	82	43	82	
66	51	26	11	6	4	2'	120	119	120	86	79	86	74	52	74	
58	44	24	12	7	5	3'	108	107	108	80	71	80	68	48	68	
47	39	25	14	8	6	4'	102	102	102	72	71	72	59	50	59	
32	30	22	14	9	7	5'	84	86	84	58	61	58	45	46	45	
21	22	18	14	9	7	6'	67	71	67	47	52	47	36	39	36	
16	17	15	12	9	8	7'	56	60	56	40	45	40	31	33	31	
13	14	12	10	8	7	8'	47	51	47	34	38	34	27	28	27	
10	11	10	8	7	6	9'	37	40	37	28	31	28	21	22	21	
7	8	7	6	6	4	10'	27	29	27	21	24	21	16	18	16	

LUMINAIRES SPACED 3' FROM WALL

Catalog Number: LC8(X) 55LM 35K MVOLT G4 80CRI ZT; L8 HWS CSS Spread: Single Wall Test #: PR07152391P

Single Unit							Lamp	Multiple Units On 3' Centers*			Multiple Units On 4' Centers*			Multiple Units On 6' Centers*		
Lateral Distance From Fixture 3' From Wall							BXRA N4000 4000K	Spaced 3' From Wall			Spaced 3' From Wall			Spaced 3' From Wall		
0'	1'	2'	3'	4'	5'	Distance From Ceiling	CL	CL	CL	CL	CL	CL	CL	CL	CL	
31	26	17	10	6	4	1'	49	47	49	40	35	40	33	17	33	
41	36	24	14	9	6	2'	69	69	69	56	51	56	44	25	44	
29	27	20	14	9	7	3'	56	56	56	44	42	44	33	23	33	
29	26	19	13	9	7	4'	54	54	54	43	40	43	33	23	33	
28	25	19	14	10	7	5'	54	54	54	43	41	43	32	25	32	
24	22	18	14	10	8	6'	51	52	51	40	41	40	29	25	29	
19	19	16	13	10	9	7'	46	48	46	36	37	36	25	24	25	
14	15	14	12	9	8	8'	39	43	39	31	34	31	21	22	21	
11	12	11	10	8	7	9'	32	36	32	25	28	25	17	18	17	
8	9	9	7	7	6	10'	26	28	26	20	23	20	13	15	13	

LUMINAIRES SPACED 4' FROM WALL

Catalog Number: LC8(X) 55LM 35K MVOLT G4 80CRI ZT; L8 HWS CSS Spread: Single Wall Test #: PR07152391P

Single Unit							Lamp	Multiple Units On 3' Centers*			Multiple Units On 4' Centers*			Multiple Units On 6' Centers*		
Lateral Distance From Fixture 4' From Wall							BXRA N4000 4000K	Spaced 4' From Wall			Spaced 4' From Wall			Spaced 4' From Wall		
0'	1'	2'	3'	4'	5'	Distance From Ceiling	CL	CL	CL	CL	CL	CL	CL	CL	CL	
17	15	12	8	6	5	1'	33	33	33	26	25	26	20	15	20	
28	25	19	13	10	7	2'	55	55	55	43	42	43	33	25	33	
24	22	18	14	11	8	3'	52	53	52	41	41	41	30	26	30	
20	18	15	12	10	8	4'	44	44	44	35	35	35	25	23	25	
20	18	15	12	10	8	5'	43	44	43	35	34	35	25	22	25	
19	18	15	12	10	8	6'	44	44	44	35	35	35	26	23	26	
18	17	15	12	10	9	7'	43	44	43	34	35	34	25	23	25	
16	15	14	11	10	9	8'	41	43	41	32	33	32	23	22	23	
13	12	11	10	9	8	9'	35	37	35	28	29	28	20	19	20	
9	9	9	8	7	6	10'	28	29	28	22	23	22	15	16	15	

*Based on minimum of five luminaires. Reflectances: 80, 50, 20. Values are rounded to nearest whole footcandle.

Fixtures tested to IES recommended standard for solid state lighting per LM-79-08. Photometric performance on a single unit represents a baseline of performance for the fixture. Results may vary in the field.

PERFORMANCE DATA

LUMINAIRES SPACED 2' FROM WALL

Catalog Number: LC8(X) 55LM 35K MVOLT G4 80CRI ZT; L8 WS CD Spread: Single Wall Test #: PR06151993P

Single Unit							Lamp	Multiple Units On 2' Centers*			Multiple Units On 3' Centers*			Multiple Units On 4' Centers*		
Lateral Distance From Fixture 2' From Wall							BXRA N4000 4000K	Spaced 2' From Wall			Spaced 2' From Wall			Spaced 2' From Wall		
0'	1'	2'	3'	4'	5'	Distance From Ceiling	CL	CL	CL	CL	CL	CL	CL	CL	CL	
91	63	25	9	5	4	1'	142	137	142	106	85	106	97	49	97	
116	89	43	17	8	6	2'	205	206	205	146	133	146	127	85	127	
84	66	35	17	9	7	3'	160	161	160	114	106	114	97	70	97	
55	49	34	18	9	7	4'	129	128	129	88	93	88	69	69	69	
34	33	28	19	11	8	5'	99	103	99	70	71	70	51	57	51	
22	25	21	17	12	9	6'	78	83	78	56	60	56	42	45	42	
17	19	17	14	12	9	7'	66	70	66	47	52	47	36	39	36	
14	16	14	12	11	9	8'	55	59	55	41	45	41	32	32	32	
10	12	11	10	9	8	9'	43	46	43	33	37	33	25	26	25	
7	9	8	7	7	5	10'	31	33	31	25	28	25	19	21	19	

LUMINAIRES SPACED 3' FROM WALL

Catalog Number: LC8(X) 55LM 35K MVOLT G4 80CRI ZT; L8 WS CD Spread: Single Wall Test #: PR06151993P

Single Unit							Lamp	Multiple Units On 3' Centers*			Multiple Units On 4' Centers*			Multiple Units On 6' Centers*		
Lateral Distance From Fixture 3' From Wall							BXRA N4000 4000K	Spaced 3' From Wall			Spaced 3' From Wall			Spaced 3' From Wall		
0'	1'	2'	3'	4'	5'	Distance From Ceiling	CL	CL	CL	CL	CL	CL	CL	CL	CL	
30	26	16	10	6	5	1'	48	47	48	40	35	40	33	16	33	
63	55	35	20	11	7	2'	102	101	102	82	74	82	67	36	67	
51	47	34	22	13	9	3'	94	96	94	74	72	74	56	38	56	
43	39	29	19	13	9	4'	81	80	81	64	61	64	48	34	48	
35	33	26	19	13	9	5'	71	72	71	55	57	55	39	34	39	
27	26	23	18	14	10	6'	63	63	63	49	51	49	33	34	33	
21	21	19	17	14	11	7'	55	57	55	43	44	43	28	30	28	
16	17	15	14	12	11	8'	46	50	46	36	39	36	25	25	25	
12	13	12	11	10	9	9'	37	42	37	29	33	29	21	21	21	
8	9	10	8	8	8	10'	30	32	30	23	26	23	16	16	16	

LUMINAIRES SPACED 4' FROM WALL

Catalog Number: LC8(X) 55LM 35K MVOLT G4 80CRI ZT; L8 WS CD Spread: Single Wall Test #: PR06151993P

Single Unit							Lamp	Multiple Units On 3' Centers*			Multiple Units On 4' Centers*			Multiple Units On 6' Centers*		
Lateral Distance From Fixture 4' From Wall							BXRA N4000 4000K	Spaced 4' From Wall			Spaced 4' From Wall			Spaced 4' From Wall		
0'	1'	2'	3'	4'	5'	Distance From Ceiling	CL	CL	CL	CL	CL	CL	CL	CL	CL	
16	14	11	8	6	5	1'	30	30	30	24	24	24	19	19	19	
35	31	24	17	12	9	2'	68	69	68	54	52	54	41	31	41	
40	37	30	21	15	11	3'	83	85	83	65	65	65	48	41	48	
32	30	25	20	15	11	4'	72	74	72	57	57	57	40	37	40	
29	27	22	17	14	11	5'	64	65	64	51	51	51	37	33	37	
26	24	21	17	13	11	6'	61	61	61	47	48	47	34	32	34	
22	21	19	16	13	11	7'	55	57	55	45	45	45	30	30	30	
18	17	16	14	12	11	8'	50	52	50	40	40	40	28	27	28	
14	14	13	12	11	10	9'	42	44	42	33	34	33	24	22	24	
10	10	10	9	9	8	10'	33	34	33	25	27	25	18	19	18	

*Based on minimum of five luminaires. Reflectances: 80, 50, 20. Values are rounded to nearest whole footcandle.

Fixtures tested to IES recommended standard for solid state lighting per LM-79-08. Photometric performance on a single unit represents a baseline of performance for the fixture. Results may vary in the field.

CONTROLS

EXAMPLE

Group Fixture Control*

*Application diagram applies for fixtures with eldoLED drivers only.

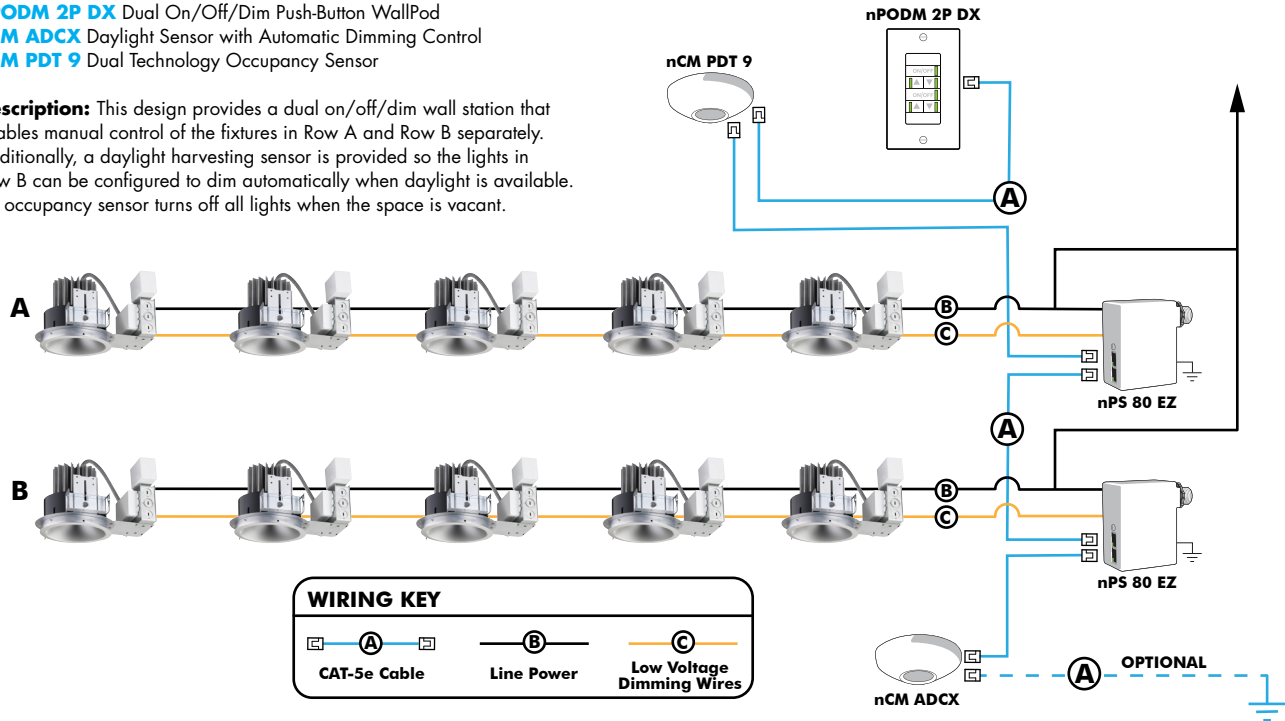
nPS 80 EZ Dimming/Control Pack (qty: 2 required)

nPODM 2P DX Dual On/Off/Dim Push-Button WallPod

nCM ADCX Daylight Sensor with Automatic Dimming Control

nCM PDT 9 Dual Technology Occupancy Sensor

Description: This design provides a dual on/off/dim wall station that enables manual control of the fixtures in Row A and Row B separately. Additionally, a daylight harvesting sensor is provided so the lights in Row B can be configured to dim automatically when daylight is available. An occupancy sensor turns off all lights when the space is vacant.



Choose Wall Controls

nLight offers multiple styles of wall controls - each with varying features and user experience.



Push-Button Wallpod
Traditional tactile buttons and LED user feedback



Graphic Wallpod
Full color touch screen provides a sophisticated look and feel

nLight® Wired Controls Accessories:

Order as separate catalog number. Visit www.acuitybrands.com/products/controls/nlight for complete listing of nLight controls.

WallPod Stations	Model number	Occupancy sensors	Model Number
On/Off	nPODM (Color)	Small motion 360°, ceiling (PIR/dual Tech)	nCM 9 / nCM PDT 9
On/Off & Raise/Lower	nPOD DX (Color)	Large motion 360°, ceiling (PIR/dual tech)	nCM 10 / nCM PDT 10
Graphic Touchscreen	nPOD GFX (Color)	Wide View (PIR/dual tech)	nWV 16 / nWV PDT 16
Photocell controls	Model Number	Wall Switch w/ Raise/Lower (PIR/dual tech)	nWSX LV DX / nWSX PDT LV DX
Dimming	nCM ADCX	Cat-5 cables (plenum rated)	Model Number
		10', CAT5 10FT	CATS 10FT J1
		15, CAT5 15FT	CATS 15FT J1



Capable Luminaire

This item is an A+ capable luminaire, which has been designed and tested to provide consistent color appearance and out-of-the-box control compatibility with simple commissioning.

- All configurations of this luminaire meet the Acuity Brand's specification for chromatic consistency.
- This luminaire is part of an A+ Certified solution for nLight control networks when ordered with drivers marked by a Shaded background*
- This Luminaire is part of an A+ Certified solution for nLight control networks, providing advanced control functionality at the luminaire level, when selection includes driver and control options marked by a shaded background*

To learn more about A+, visit www.acuitybrands.com/aplus.

*See ordering tree for details

nLight® AIR Control Accessories:

Order as separate catalog number. Visit www.acuitybrands.com/products/controls/nlightair.

Wall switches	Model number
On/Off single pole	rPODB [color]
On/Off two pole	rPODB 2P [color]
On/Off & raise/lower single pole	rPODB DX [color]
On/Off & raise/lower two pole	rPODB 2P DX [color]
On/Off & raise/lower single pole	rPODBZ DX WH ¹

Notes

- 1 Can only be ordered with the RES7Z zone control sensor version.

nLight AIR

nLight AIR is the ideal solution for retrofit or new construction spaces where adding communication is cost prohibitive. The integrated nLight AIR rPP20 Power Pack is part of each Indy L-Series Luminaire. These individually addressable controls offer the ultimate in flexibility during initial setup and for space repurposing.



Simple as 1,2,3

1. Install the nLight® AIR fixtures with embedded smart sensor
2. Install the wireless battery-powered wall switch
3. With CLAIRITY app, pair the fixtures with the wall switch and if desired, customize the sensor settings for the desired outcome

