

ENVIRONMENTALLY FRIENDLY, ENERGY EFFICIENT

- 800 to 3300 lumen units provide comparable light output to a 50W, 75W & 100W PAR30 halogen, or 20W & 39W PAR30 Metal Halide, while reducing energy consumption by 25% to 70%, and having a rated life of 50,000 hours
- Superior-quality white LED light output using Chip on Board technology
- No harmful ultraviolet or infrared wavelengths • No lead or mercury
- **Low UGR:** UGR of zero for fixtures aimed at nadir with a cut-off equal to or less than 60deg per CIE 117-1995 Discomfort Glare in Interior Lighting.

PRODUCT SPECIFICATIONS

Atrius™ - Ready Product: Select models of the L-series product line deliver valuable data and connectivity to the Atrius IoT location based platform services. For more information, please refer to www.acuitybrands.com/Atrius.

OPTICS

Upper Reflector: Faceted, Specular Alzak® reflector available in spot, narrow flood and flood beam distributions

Lower Cone: Low iridescent specular, semi-specular or diffuse Alzak® .050" thick angle cut cone in clear, gold, wheat, pewter or bronze with integral flange of same finish • See reflector options for other colors and finishes • Painted white flange is optional

ELECTRICAL

LED Light Engine: High output LED arrays provide outstanding reliability, performance and color quality/consistency • 2700K, 3000K, 3500 or 4000K color temperatures • 80 CRI standard, 90 CRI available, see options (lumen drop of approximately 22%) • "SpectralWhite" color/white enhancing option makes whites appear naturally brilliant and renders colors more richly • Consistent fixture-to-fixture color temperature that is within 3 MacAdams ellipses

Dimming: Dimmable via 0-10V protocol, increasing efficiency up to 30% while dimming • Optional drivers available for use with eldoLED or Lutron EcoSystem • For a list of compatible dimmers see [LED-DIM](#)

LED Driver: Power factor >0.9 • Easily replaceable from below or above the ceiling.

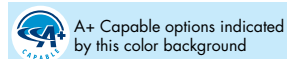
Life: Rated for 50,000 hours at 70% lumen maintenance

Emergency Battery Pack (Optional) output: Provides a minimum of 600 (BR & BRT20C) lumens for a minimum duration of 90 minutes • BRT20C option is CEC Title 20 compliant

BUY AMERICAN ACT: This product is assembled in the USA and meets the Buy America(n) government procurement requirements under FAR, DFARS and DOT regulations. Please refer to www.acuitybrands.com/buy-american for additional information.

Warranty: 5 years when used in accordance with manufacturing guidelines. This is the only warranty provided and no other statements in this specification sheet create any warranty of any kind. All other express and implied warranties are disclaimed.

Specifications subject to change without notice.



ORDERING INFORMATION

Complete Catalog# Example Includes (Rough-In, option, reflector, accessory)

Ordering Example: LA4 08LM 27K 120 G3 80CRI ZT SP CS PF HBTL

ROUGH-IN

Series	Lumen Package	Color Temperature	Voltage	Generation	CRI	Driver	Rough-In Options
LA4 4" L-Series Internally Adjustable Accent Light	08LM 800 Lumens	27K 2700K	120	G3	80CRI 80+ CRI	ECOD Lutron Ecosystem 2-Wire Dimming Driver ZT 0-10V Dimming to 1% min EZ1 eldoLED 0-10V ECOdrive. Linear dimming to 1% min. EZB eldoLED 0-10V SOLOdrive. Logarithmic dimming to <1%	F Fuse and Fuse Holder CP3 Chicago Plenum BR5,6 600 Lumen Emergency Battery Pack w/Remote Test Switch BRT20C5,6 600 Lumen Emergency Battery Pack w/ Remote Test Switch, CEC Title 20 Compliant NL6,7 nLight® Dimming Pack Controls NLTAIR25,6,7,10 nLight® AIR Dimming Pack Wireless Controls AE2CD8,10 Atrius™ - Ready, VLC Commissioning, Radio (BT Positioning)
	13LM 1300 Lumens	30K 3000K	277		90CRI 90+ CRI		
	15LM 1500 Lumens	35K 3500K	347		SW2 SpectralWhite		
	17LM 1700 Lumens	40K 4000K					
	23LM 2300 Lumens						
	28LM 2800 Lumens						
33LM1 3300 Lumens							

REFLECTOR To order reflector separately, use "LA4" prefix before reflector option values. Ex: LA4 SP CS PF

See accessories and notes on page 2.

Beam	Finish	Trim Options
SP Spot	BD Black Diffuse	PF9 White Flange
NFL Narrow Flood	BS Black Specular	
FLD Flood	CD Clear Diffuse	
	CS Clear Specular	
	CSS Clear Semi-Specular	
	GD Gold Diffuse	
	GS Gold Specular	
	PTD Pewter Diffuse	
	PTS Pewter Specular	
	WH White, White Flange	
	WTD Wheat Diffuse	
	WTS Wheat Specular	

J7.1.8.1G3



800 TO 3300 LUMEN 4" LED
INTERNALLY ADJUSTABLE ACCENT LIGHT

10W/14W/15W/17W/25W/28W/36W

LA4 SERIES

Type	Cat. No.
_____	_____
Project:	_____
Notes:	_____

LABELS AND LISTINGS

- UL and cUL listed for feed through and damp locations
- RoHS compliant
- EMI complies with FCC 47, Part 15, Class A
- I.B.E.W. Union made



Accessories					
1087	Accessory Holder (Holds up to 2 Accessories)	HB28	28" C-Channel Bar Hangers, Pair	INSA4/05	4" Sloped Ceiling Adapter, 5° Angle
	PGL Prismatic Glass Lens	HB52	52" C-Channel Bar Hangers, Pair	INSA4/10	4" Sloped Ceiling Adapter, 10° Angle
	LSL Linear Spread Lens	HBTL	25" Tru-Lock Grid Ceiling Bar Hanger, Pair	INSA4/15	4" Sloped Ceiling Adapter, 15° Angle
	LVR Louver	LB27	27" Linear Bar Hangers, Pair	INSA4/20	4" Sloped Ceiling Adapter, 20° Angle
	CFB Color Filter Light Blue			INSA4/25	4" Sloped Ceiling Adapter, 25° Angle
	CFMB Color Filter Medium Blue			INSA4/30	4" Sloped Ceiling Adapter, 30° Angle
	CFR Color Filter Red				
	CFP Color Filter Pink				
	CFA Color Filter Amber				
	CFG Color Filter Green				

Ordering Notes

- | | |
|---|--|
| <ul style="list-style-type: none"> 1 U.L. Spacing Requirement: Minimum of 4' between fixture centers, 3" overhead clearance and 2' from fixture center to side wall. 2 Not compatible with 27K. 3 Consult factory. 4 Not compatible with BR, BRT20C. 5 Not compatible with 347. 6 Not compatible with CP. | <ul style="list-style-type: none"> 7 Only available with EZ1, EZB, ZT drivers. 8 See AE2CD notes in following table for compatibility with other options. 9 PF not available with WH finish. When specifying WH finish, flange is always painted white. 10 NLTAIR2, AE2CD not recommended for metal ceiling installations. |
|---|--|

AE2CD Notes

Only available with EZ1 driver.
 Not compatible with BR, BRT20C, NL, NLTAIR2, CP.
 Recommended ceiling height of 30' and under; not intended for use on ceilings greater than 40' or metal ceiling installations.

The Bluetooth® word mark and logos are registered trademarks owned by Bluetooth SIG, Inc. and any use of such marks by Acuity Brands Lighting is under license.

PRODUCT SPECIFICATIONS (cont.)

MECHANICAL

Adjustability: Yoke assembly allows 370° rotation and up to 45° tilt of light source • Toolless Rotation and tilt locking are standard • Angles marked to allow accurate, consistent tilt angles

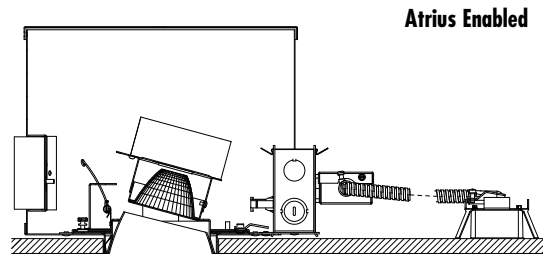
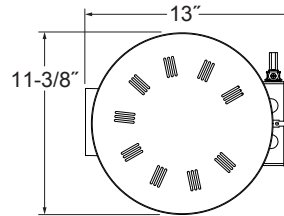
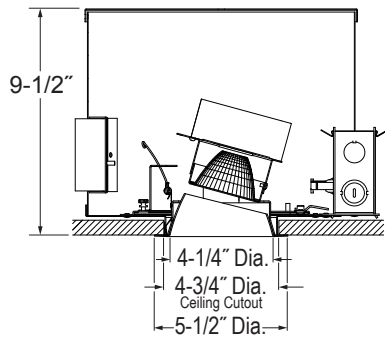
Housing: Heavy gauge steel with black baked enamel finish

Mounting Frame: Heavy gauge steel lower housing ring with factory installed spring friction clips securely holds cones in ceiling • Accommodates ceilings up to 3/4" thick; For thicker ceilings; consult factory.

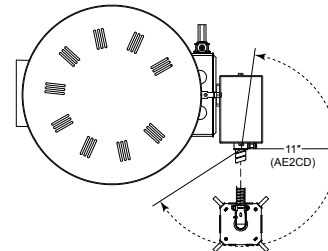
Mounting Bracket: Mounting brackets have 3" vertical adjustment and accepts most commercial bar hangers, including our proprietary Tru-Lock bar hangers • Our one-piece Tru-Lock bar hangers have integral T-bar locking screws and alignment notches for locating and locking fixture in the center or 1/4" tile increments

Junction Box: Junction box rated for four (4) No. 12 AWG 90° C branch circuit conductors (2-in, 2-out)

DIMENSIONS



Atrius Enabled



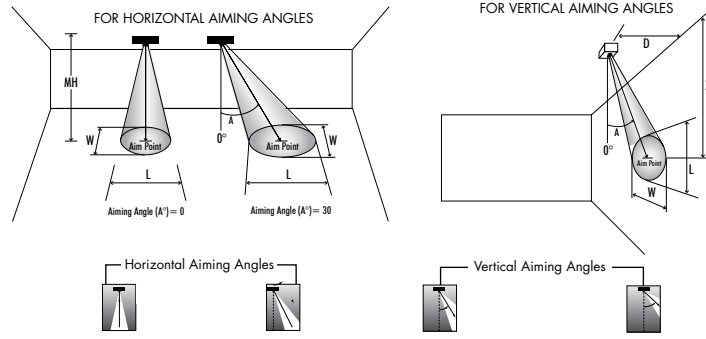
ENGINEERING DATA: 347 Volt available, consult factory

VOLTAGE	120							277						
LIGHT ENGINE LUMENS	800	1300	1500	1700	2300	2800	3300	800	1300	1500	1700	2300	2800	3300
DELIVERED LUMENS	599-770	813-1045	952-1080	1079-1387	1518-1950	1652-2124	1984-2550	599-770	813-1045	952-1080	1079-1387	1518-1950	1652-2124	1984-2550
EFFICACY	59-75	60-77	62-70	62-79	61-79	59-76	55-71	55-71	56-73	58-65	57-74	59-75	57-73	53-68
CCT	2700K/3000K/3500K/4000K							2700K/3000K/3500K/4000K						
INPUT CURRENT	0.086	0.113	0.129	0.145	0.206	0.233	0.305	0.064	0.068	0.072	0.074	0.096	0.107	0.139
INPUT WATTAGE	10.2W	13.5W	15.4W	17.4W	24.8W	28.0W	36.1W	10.8W	14.4W	16.5W	18.8W	25.9W	28.9W	37.6W
INPUT FREQUENCY	50/60Hz	50/60Hz	50/60Hz	50/60Hz	50/60Hz	50/60Hz	50/60Hz	50/60Hz	50/60Hz	50/60Hz	50/60Hz	50/60Hz	50/60Hz	50/60Hz
POWER FACTOR	0.98	0.99	0.99	0.99	0.99	0.99	0.98	0.61	0.76	0.82	0.91	0.97	0.97	0.97

PERFORMANCE DATA:
LA4 33LM 30K 120; LA4 SP CS
LA4 NFL CS
LA4 FLD CS

CBCP - Centerbeam candlepower
FC - Footcandles at beam center (aim point)

In vertical aiming applications, aim point (X) is determined by dividing distance from the wall (D) by the tangent of the desired aim angle (A) (0.5774 for 30°, 1.0 for 45°.



Lamp	Beam Type	Beam Spread°	Rated Life	Delivered Lumens	CBCP	0°				30°			30°				45°				
						MH	FC	L	W	FC	L	W	D	FC	X	L	W	FC	X	L	W
36W LED, 3000K Spot	SP	12°	50,000	2,318	18,098	6	503	1.3	1.3	327	1.7	1.5	4	141	6.9	3.5	1.7	400	4.0	1.7	1.2
						8	283	1.7	1.7	184	2.3	1.9	6	63	10.4	5.2	2.5	178	6.0	2.6	1.8
						10	181	2.1	2.1	118	2.8	2.4	8	35	13.9	7.0	3.4	100	8.0	3.4	2.4
						12	126	2.5	2.5	82	3.4	2.9	10	23	17.3	8.7	4.2	64	10.0	4.3	3.0
						14	92	2.9	2.9	60	3.9	3.4	12	16	20.8	10.4	5.0	44	12.0	5.1	3.6
36W LED, 3000K Narrow Flood	NFL	18°	50,000	1,992	10,246	6	285	1.9	1.9	185	2.6	2.2	2	320	3.5	2.7	1.3	906	2.0	1.3	0.9
						8	160	2.5	2.5	104	3.4	2.9	4	80	6.9	5.5	2.5	226	4.0	2.6	1.8
						10	102	3.2	3.2	67	4.3	3.7	6	36	10.4	8.2	3.8	101	6.0	3.9	2.7
						12	71	3.8	3.8	46	5.1	4.4	8	20	13.9	11.0	5.1	57	8.0	5.2	3.6
						14	52	4.4	4.4	34	6.0	5.1	10	13	17.3	13.7	6.3	36	10.0	6.5	4.5
36W LED, 3000K Flood	FLD	35°	50,000	1,984	4,973	6	138	3.8	3.8	90	5.2	4.4	2	155	3.5	7.2	2.5	440	2.0	2.8	1.8
						8	78	5.0	5.0	50	7.0	5.8	4	39	6.9	14.4	5.0	110	4.0	5.6	3.6
						10	50	6.3	6.3	32	8.7	7.3	6	17	10.4	21.6	7.6	49	6.0	8.4	5.4
						12	35	7.6	7.6	22	10.4	8.7	8	10	13.9	28.8	10.1	27	8.0	11.2	7.1
						14	25	8.8	8.8	16	12.2	10.2	10	6	17.3	35.9	12.6	18	10.0	14.0	8.9

The beam spread in degrees and the beam "L" and "W" in the above tables are computed at 50% of centerbeam candlepower and represent areas of "effective illumination".

Fixtures tested to IES recommended standard for solid state lighting per LM-79-08. Photometric performance on a single unit represents a baseline of performance for the fixture. Results may vary in the field.

Lumen Multiplier:

- 800 × **0.302**
- 1300 × **0.410**
- 1500 × **0.480**
- 1700 × **0.544**
- 2300 × **0.765**
- 2800 × **0.833**
- 3300 × **1.000**

CCT Multiplier:

- 2700K × **1.00**
- 3000K × **1.00**
- 3500K × **1.05**
- 4000K × **1.10**

EXAMPLE

Group Fixture Control*

*Application diagram applies for fixtures with eldoLED drivers only.

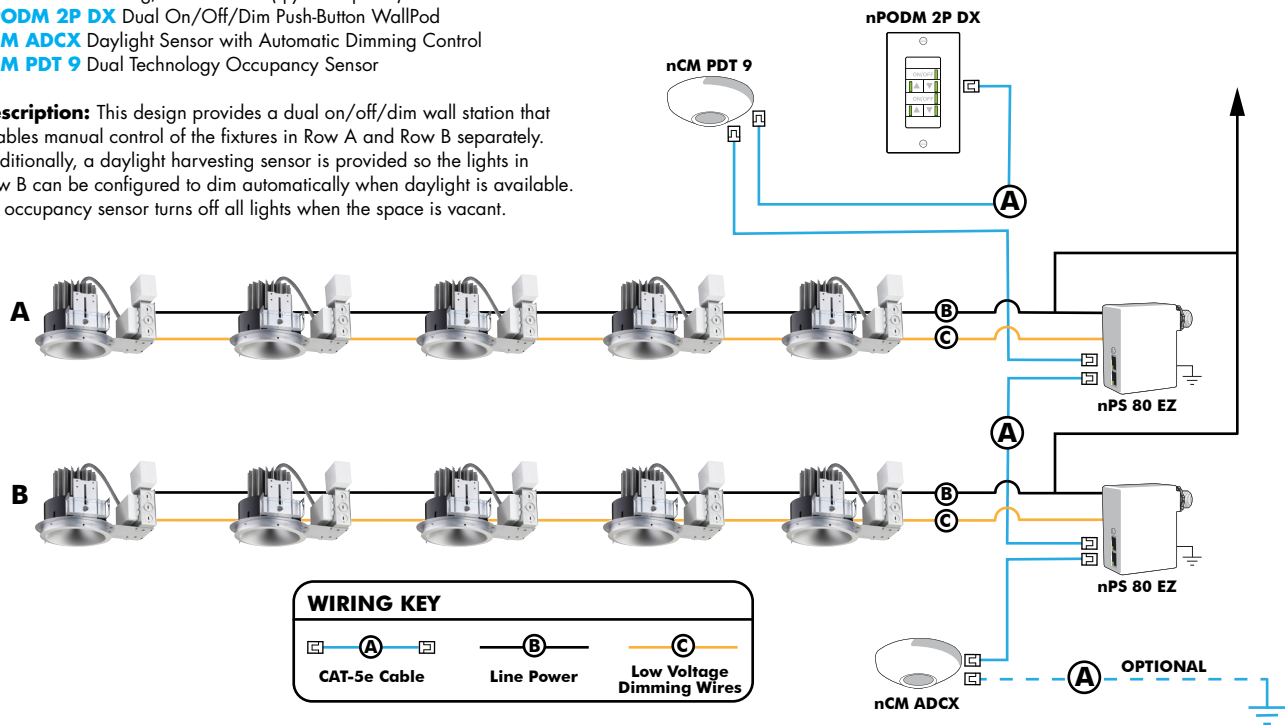
nPS 80 EZ Dimming/Control Pack (qty: 2 required)

nPODM 2P DX Dual On/Off/Dim Push-Button WallPod

nCM ADCX Daylight Sensor with Automatic Dimming Control

nCM PDT 9 Dual Technology Occupancy Sensor

Description: This design provides a dual on/off/dim wall station that enables manual control of the fixtures in Row A and Row B separately. Additionally, a daylight harvesting sensor is provided so the lights in Row B can be configured to dim automatically when daylight is available. An occupancy sensor turns off all lights when the space is vacant.



Choose Wall Controls

nLight offers multiple styles of wall controls - each with varying features and user experience.



Push-Button Wallpod

Traditional tactile buttons and LED user feedback



Graphic Wallpod

Full color touch screen provides a sophisticated look and feel

nLight® Wired Controls Accessories:

Order as separate catalog number. Visit www.acuitybrands.com/products/controls/nlight for complete listing of nLight controls.

WallPod Stations	Model number	Occupancy sensors	Model Number
On/Off	nPODM (Color)	Small motion 360°, ceiling (PIR/dual Tech)	nCM 9 / nCM PDT 9
On/Off & Raise/Lower	nPOD DX (Color)	Large motion 360°, ceiling (PIR/dual tech)	nCM 10 / nCM PDT 10
Graphic Touchscreen	nPOD GFX (Color)	Wide View (PIR/dual tech)	nWV 16 / nWV PDT 16
Photocell controls	Model Number	Wall Switch w/ Raise/Lower (PIR/dual tech)	nWSX LV DX / nWSX PDT LV DX
Dimming	nCM ADCX	Cat-5 cables (plenum rated)	Model Number
		10', CAT5 10FT	CATS 10FT J1
		15, CAT5 15FT	CATS 15FT J1



Capable Luminaire

This item is an A+ capable luminaire, which has been designed and tested to provide consistent color appearance and out-of-the-box control compatibility with simple commissioning.

- All configurations of this luminaire meet the Acuity Brand's specification for chromatic consistency.
- This luminaire is part of an A+ Certified solution for nLight control networks when ordered with drivers marked by a Shaded background*
- This Luminaire is part of an A+ Certified solution for nLight control networks, providing advanced control functionality at the luminaire level, when selection includes driver and control options marked by a shaded background*

To learn more about A+, visit www.acuitybrands.com/aplus.

*See ordering tree for details

nLight® AIR Control Accessories:

Order as separate catalog number. Visit www.acuitybrands.com/products/controls/nlightair.

Wall switches	Model number
On/Off single pole	rPODB [color]
On/Off two pole	rPODB 2P [color]
On/Off & raise/lower single pole	rPODB DX [color]
On/Off & raise/lower two pole	rPODB 2P DX [color]
On/Off & raise/lower single pole	rPODBZ DX WH ¹

Notes

- 1 Can only be ordered with the RES7Z zone control sensor version.

nLight AIR

nLight AIR is the ideal solution for retrofit or new construction spaces where adding communication is cost prohibitive. The integrated nLight AIR rPP20 Power Pack is part of each Indy L-Series Luminaire. These individually addressable controls offer the ultimate in flexibility during initial setup and for space repurposing.



Simple as 1,2,3

1. Install the nLight® AIR fixtures with embedded smart sensor
2. Install the wireless battery-powered wall switch
3. With CLAIRITY app, pair the fixtures with the wall switch and if desired, customize the sensor settings for the desired outcome

