

# ENVIRONMENTALLY FRIENDLY, ENERGY EFFICIENT

- Lumen packages suitable for ceiling heights ranging from 8' to over 35'
- Efficacies up to 128 lm/w
- Superior-quality white LED light output using Chip on Board technology
- Patented Hyperbolic Reflector (U.S. Patent No. 10,670,227 B2)
- **Low UGR:** UGR of zero for fixtures aimed at nadir with a cut-off equal to or less than 60deg per CIE 117-1995 Discomfort Glare in Interior Lighting.

## PRODUCT SPECIFICATIONS

**Atrius™ - Ready Product:** Select models of the L-series product line deliver valuable data and connectivity to the Atrius IoT location based platform services. For more information, please refer to [www.acuitybrands.com/Atrius](http://www.acuitybrands.com/Atrius).

### OPTICS

**Hyperbolic Reflector:** Patented hyperbolic shape (U.S. Patent No. 10,670,227 B2) optimized for small, directional LED source, maximizes fixture efficiency while reducing lamp image and aperture brightness • Geometry of hyperbolic curve provides unique aperture appearance and smoother light distribution

**Parabolic Cone/Lens:** Computer-optimized parabolic cone with frosted convex lens regressed into cone provides uniform distribution with no striations

**Baffle:** White or black painted deep multi-groove aluminum baffle insert with integral white painted flange and frosted convex glass lens

**Wallwash Cone/Lens:** Computer-optimized trim with integral wall wash kicker and frosted convex lens regressed into cone provides uniform distribution with no striations

### ELECTRICAL

**LED Light Engine:** Compact light source delivers uniform illumination without pixilation, enabling excellent beam control • 2SDCM (5000K within 3SDCM) • 80, 90 & 97 CRI

- Light engine mounts directly to heat sink and is easily replaceable

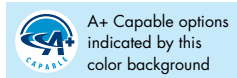
**Passive Cooling:** Cast aluminum heat sink integrated directly with housing provides superior thermal management to ensure the long life of LED

**LED Driver:** Power factor >0.9

**Dimming:** Dimmable via 0-10V protocol standard • Optional drivers available for use with eldoLED, Lutron EcoSystem, 2-wire dimmers, DMX, or DALI • For a list of compatible dimmers, see [LED-DIM](#).

**Life:** Rated for 60,000 hours at 70% lumen maintenance

**Emergency Battery Pack (Optional) output:** Provides a minimum of 600 (BR), or 1000 (HBR) lumens for a minimum duration of 90 minutes • Remote mounted, field installed • BR option is CEC Title 20 compliant



SURFACE MOUNT



PENDANT MOUNT



WALL MOUNT



CABLE MOUNT

## ORDERING INFORMATION Complete Catalog # Example Includes (Rough-In, option, reflector, accessory) Ordering Example: LC4P 08LM 27K MVOLT B G4 80CRI ZT HW CS PF

### ROUGH-IN

Series	Mounting Options	Light Engine	Color Temperature	Voltage	Cylinder Color	Generation	CRI	Driver	Rough-In Options
LC4 4" L-Series Cylinder	S	08LM	27K 2700K	120	B Black	G4	80CRI	EDAB eldoLED SOLOdrive DALI. Logarithmic dimming to <1% EZ10 eldoLED 0-10V ECOdrive. Linear dimming to 10% min. EZ1 eldoLED 0-10V ECOdrive. Linear dimming to 1% min. EZB eldoLED 0-10V SOLOdrive. Logarithmic dimming to <1% FD <sup>3</sup> Forward or Reverse Phase Dimming Driver ECOD <sup>2,6,11</sup> Lutron Ecosystem 2-Wire Dimming Driver ZT 0-10V Dimming to 10% min GZ1 0-10V Dimming to 1% min	F <sup>2,4</sup> Fuse and Fuse Holder BR <sup>2,8</sup> 600 Lumen Emergency Battery Pack w/Remote Test Switch (CEC Title 20 Compliant) HBR <sup>2,5</sup> 1000 Lumen Emergency Battery Pack w/Remote Test Switch NL <sup>7</sup> nLight <sup>®</sup> Dimming Pack Controls NLER <sup>7</sup> nLight <sup>®</sup> dimming pack controls. nLER controls fixtures on emergency circuit NLTAIR <sup>2,7,13</sup> nLight <sup>®</sup> AIR Dimming Pack Wireless Controls NLTAIRER <sup>2,7,13</sup> nLight <sup>®</sup> AIR Dimming Pack Wireless Controls. Controls fixtures on emergency circuit AE2CD <sup>13,14</sup> Atrius™ - Ready, VLC Commissioning, Radio (BT Positioning) AE2BN <sup>13,14</sup> Atrius Enabled, BT3, BLE only, Power supply only
	Surface	13LM	30K 3000K	277	W White		90CRI		
	P	15LM	35K 3500K	347	S Silver		97CRI <sup>1</sup>		
	Pendant	17LM	40K 4000K	MVOLT (120-277)					
	W	23LM	50K 5000K						
Wall	28LM								
C									
Cable									

**REFLECTOR** To order reflector separately, use "L4" prefix before reflector option values. Ex: L4 HW CS PF

Trim Style				Finish				Trim Options		
<b>HM</b>	Hyperbolic Medium	<b>P</b>	Parabolic	<b>BD</b>	Black Diffuse	<b>CD</b>	Clear Diffuse	<b>PTD</b>	Pewter Diffuse	<b>PF</b> <sup>10</sup> White Flange
<b>HW</b>	Hyperbolic Wide	<b>WPR</b> <sup>14</sup>	Parabolic Wide	<b>BS</b>	Black Specular	<b>CS</b>	Clear Specular	<b>PTS</b>	Pewter Specular	
<b>HWS</b>	Hyperbolic Single Wall Wash	<b>WC</b>	Corner Wall Wash			<b>CSS</b>	Clear Semi-Specular	<b>WH</b>	White, White Flange	
		<b>WD</b>	Double Wall Wash			<b>GD</b>	Gold Diffuse	<b>WTD</b>	Wheat Diffuse	
		<b>WS</b>	Single Wall Wash			<b>GS</b>	Gold Specular	<b>WTS</b>	Wheat Specular	

**MOUNTING HARDWARE** Add mounting hardware to the end of the complete catalog #. Mounting hardware option **must** match fixture option.  
 EX: LC4P 08LM MVOLT B G4 80CRI **BR** ZT HW CS PF PSTEM 18IN BLPEN **PBR**

Pendant Mount	Length	Color	Options
<b>PSTEM</b> Pendant Stem for use with LC4P only	<b>18IN</b>	<b>WPEN</b>	<b>PBR</b>
	18"	White	Battery Pack
	<b>24IN</b>	<b>BLPEN</b>	<b>PHBR</b>
	24"	Black	High Lumen Battery Pack
	<b>36IN</b>	<b>SPEN</b>	<b>PAE2CD</b>
	36"	Silver	Atrius™ - Ready, VLC Commissioning, Radio (BT Positioning)
	<b>48IN</b>		
	48"		

Cable Mount	Length	Color
<b>CSTEM</b> Cable Stem for use with LC4C only	<b>18IN</b>	<b>WCAB</b>
	18"	White with White Cord
	<b>48IN</b>	<b>BLCAB</b>
	48"	Black with Black Cord
	<b>120IN</b>	<b>SCAB</b>
	120"	Silver with Black Cord

**Ordering Notes**

- 1 2700K & 3000K only.
- 2 Not available with 347V.
- 3 120V only.
- 4 Specify voltage.
- 5 Not compatible with cable mount.
- 6 Not available for 28LM.
- 7 Only compatible with EZ1, GZ1, EZB, EZ10 drivers.
- 8 Cannot be dimmed when used with cable mount (CSTEM).
- 9 Not compatible with BR or HBR.
- 10 PF not available with WH finish. When specifying WH finish, flange is always painted white.
- 11 Not compatible with BR, or HBR.
- 12 See AE2CD/AE2BN notes in following table for compatibility with other options.
- 13 NLTAIR2, NLTAIRER2, AE2CD, AE2BN not recommended for metal ceiling installations.
- 14 WPR available with CS, CSS, CD, WH finishes only.

**AE2CD Notes**

Not available with LC4C/CSTEM (Cable mount).  
 Not available with 347.  
 Only compatible with EZ1 driver.  
 BR, HBR, NL, NLER, NLTAIR2, NLTAIRER2 not compatible with AE2CD.  
 Recommended ceiling height of 30' and under; not intended for use on ceilings greater than 40' or metal ceiling installations.

The Bluetooth® word mark and logos are registered trademarks owned by Bluetooth SIG, Inc. and any use of such marks by Acuity Brands Lighting is under license.

**AE2BN Notes**

Only available with LC6C/CSTEM (Cable Mount)  
 Not available with 45LM, 50LM, or 55LM  
 Only compatible with EZ1 driver.  
 BR, HBR, NL, NLER, NLTAIR2, NLTAIRER2 not compatible with AE2BN  
 Recommended ceiling height of 30' and under, not intended for use on ceiling greater than 40' or metal ceiling installations.

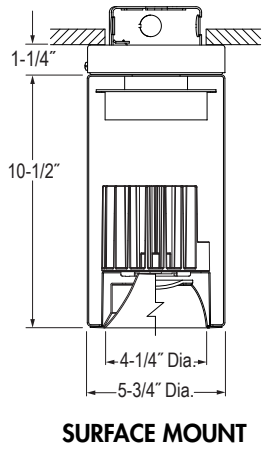
**PRODUCT SPECIFICATIONS** (cont.)

**MECHANICAL**

**Housing:** One piece heavy gauge aluminum with white, black or silver baked textured powder coat finish.

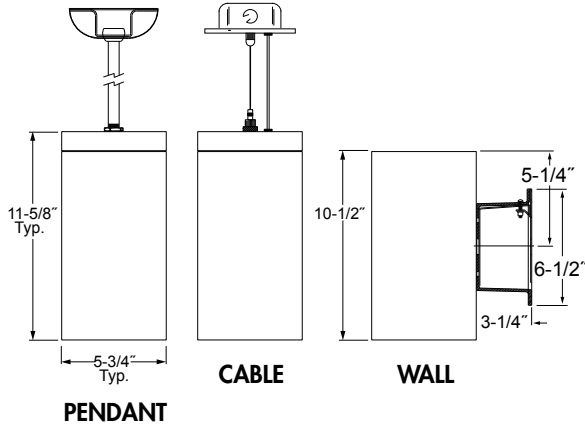
**Mounting:** Available for surface, pendant, cable or wall mounting • Pendant mounting features hang straight pendant mounting kits that allows for mounting on to sloped ceilings with an angle up to 35°

**DIMENSIONS**



**SURFACE MOUNT**

**MOUNTING DETAIL:**

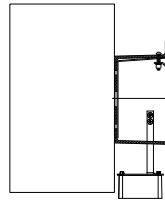
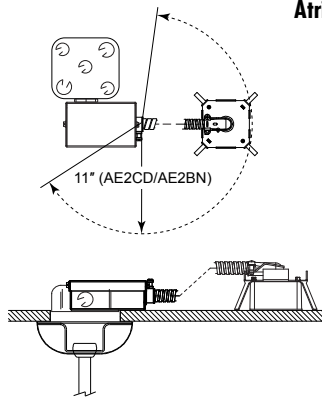


**PENDANT**

**CABLE**

**WALL**

**Atrius Enabled**



**ENERGY STAR® certified**

ENERGY STAR® certified		FIXTURE CONFIGURATIONS = ENERGY STAR
	<b>PRODUCT#</b>	
	LC4(M) (WW)LM (XX)K MVOLT G4 (YY)CRI (UU) (ZZ) (CC)	Mounting Option: M = S, P, W, C Lumen Package: WW = 08, 13, 15, 17, 23, 28 CCT: XX = 27, 30, 35, 40, 50 Voltage: MVOLT (120V-277V) CRI: YY = 80, 90, 97 Driver: UU = FD, EZ1, EZ10, EZB, ZT, GZ1 Trim Type: ZZ = HM, HW, P, WPR Trim Color/Finish: CC = CS, CSS, CD

**LABELS AND LISTINGS**

• Tested to UL1598 and CSA C22.2 250 and listed for damp locations • RoHS compliant • EMI complies with FCC 47, Part 15, Class A • ENERGY STAR® certified, see table above for designated products • I.B.E.W. Union made

## PERFORMANCE

LIGHT ENGINE	08LM	13LM	15LM	17LM	23LM	28LM
<b>120V (50/60HZ)</b>						
INPUT CURRENT	0.063	0.098	0.115	0.132	0.180	0.221
INPUT WATTAGE	7.53	11.74	13.66	15.82	21.52	26.46
THD%	6.42	5.19	4.61	3.86	5.09	5.46
POWER FACTOR	0.993	0.993	0.992	0.994	0.994	0.995
<b>277V (50/60HZ)</b>						
INPUT CURRENT	0.031	0.048	0.056	0.063	0.085	0.100
INPUT WATTAGE	7.87	11.84	13.81	15.89	21.65	26.19
THD%	12.00	11.62	11.31	11.34	9.93	9.04
POWER FACTOR	0.904	0.885	0.887	0.907	0.918	0.943
<b>347V (50/60HZ)</b>						
INPUT CURRENT	0.025	0.038	0.043	0.050	0.067	0.083
INPUT WATTAGE	8.59	12.99	14.91	17.15	23.20	28.54
THD%	13.05	11.53	10.41	9.69	7.79	7.26
POWER FACTOR	0.987	0.992	0.990	0.991	0.992	0.995
<b>HYPERBOLIC REFLECTOR: L4 HW CS (35K 80CRI)</b>						
DELIVERED LUMENS (L4 HW CS)	866	1,445	1,670	1,901	2,559	3,086
EFFICACY (LPW)	115	123	122	120	119	117
<b>PARABOLIC REFLECTOR: L4 P CS (35K 80CRI)</b>						
DELIVERED LUMENS (L4 P CS)	658	1,097	1,268	1,444	1,943	2,343
EFFICACY (LPW)	87	93	93	91	90	89

## OPTICAL DISTRIBUTIONS

HYPERBOLIC BEAM SPREAD		PARABOLIC BEAM SPREAD	
Trim	Degree	Trim	08LM - 40LM
L4 HM CS	37°	L4 P CS	65°
L4 HM CSS	37°	L4 P CSS	65°
L4 HM CD	45°	L4 P CD	69°
L4 HW CS	56°	L4 WPR CS	75°
L4 HW CSS	55°	L4 WPR CSS	77°
L4 HW CD	64°	L4 WPR CD	79°

## LUMEN MULTIPLIERS

CCT	MULTIPLIER
2700K	0.90
3000K	0.96
3500K	1.00
4000K	1.01
5000K	1.04

HYPERBOLIC TRIM	MULTIPLIER
L4 HM CS	0.99
L4 HM CSS	0.97
L4 HM CD	0.91
L4 HW CS	1.00
L4 HW CSS	0.96
L4 HW CD	0.90

PARABOLIC TRIM	MULTIPLIER
L4 P CS	1.00
L4 P CSS	0.93
L4 P CD	0.94
L4 WPR CS	0.93
L4 WPR CSS	0.91
L4 WPR CD	0.88

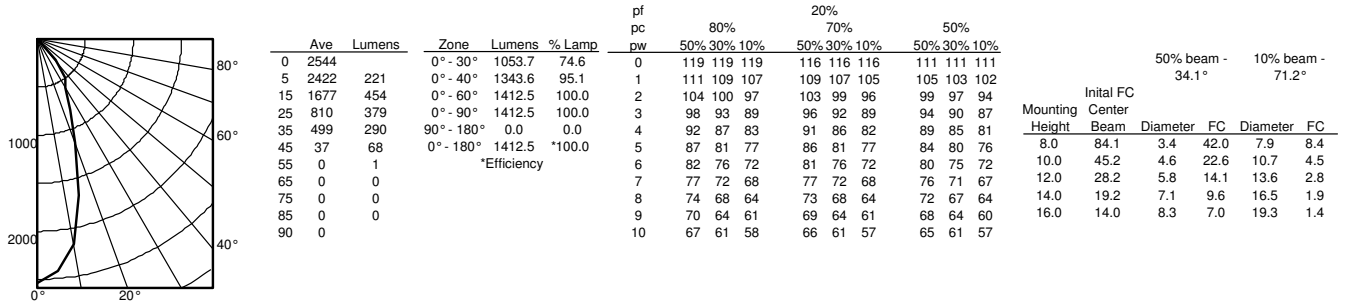
CRI	MULTIPLIER
80CRI	1.00
90CRI	0.83
97CRI	0.77

Applying Lumen Multipliers to Calculate Delivered Lumens								
Base Fixture Delivered Lumens (from Performance Table)	x	CCT Multiplier	x	CRI Multiplier	x	Trim Multiplier	=	Delivered Lumens for Desired Fixture and Reflector
<b>Example: LC4S 23LM 30K MVOLT 90CRI G4 ZT HM CD</b>								
2559 Lumens	x	0.96	x	0.83	x	0.91	=	1886 Lumens

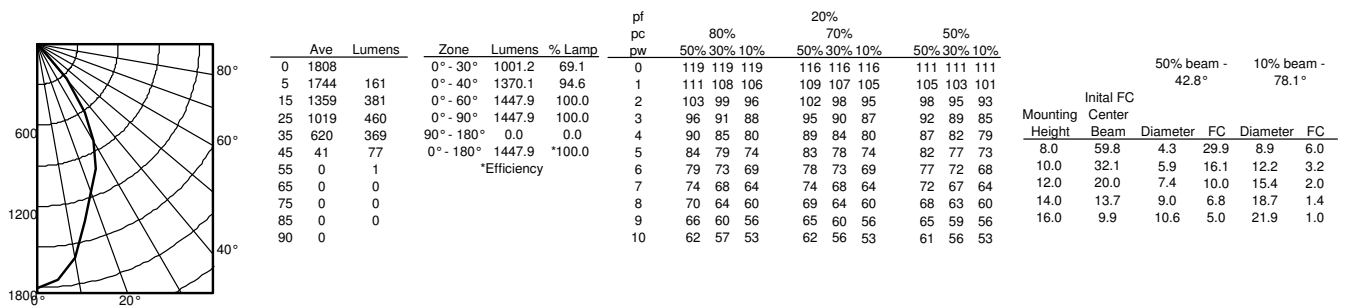
PHOTOMETRICS

Distribution Curve      Distribution Data      Output Data      Coefficient of Utilization      Illuminance Data at 30" Above Floor for a Single Luminaire

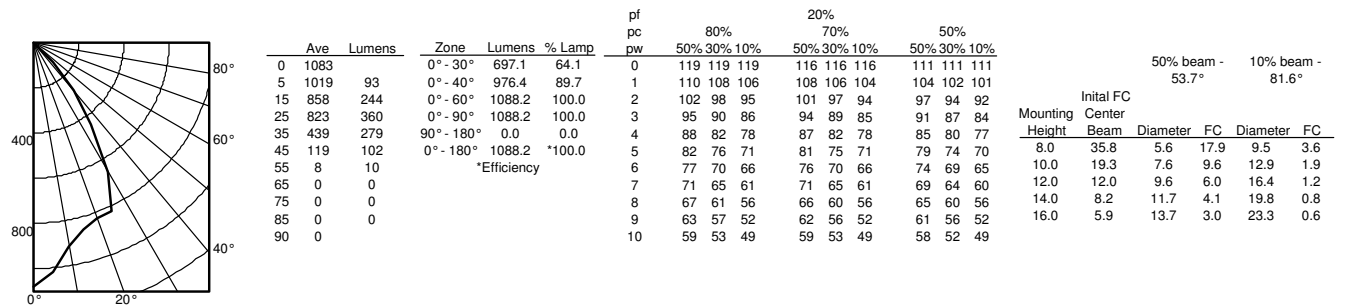
LC4S 13LM 35K + L4 HM CS, 3500K LEDs, input watts: 11.74, delivered lumens: 1412.5, LM/W = 120.3, Spacing Criteria: 0.6, test no. PR07172482, tested in accordance to IESNA LM-79.



LC4S 13LM 35K + L4 HW CS, 3500K LEDs, input watts: 11.74, delivered lumens: 1447.9, LM/W = 123.3, Spacing Criteria: 0.8, test no. PR07172483, tested in accordance to IESNA LM-79.



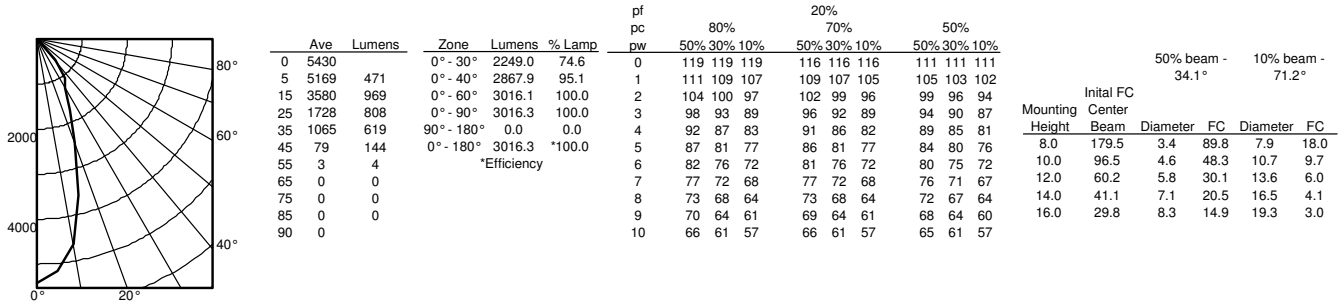
LC4S 13LM 35K + L4 P CS, 3500K LEDs, input watts: 11.74, delivered lumens: 1088.2, LM/W = 92.7, Spacing Criteria: 1.0, test no. PR07172484, tested in accordance to IESNA LM-79.



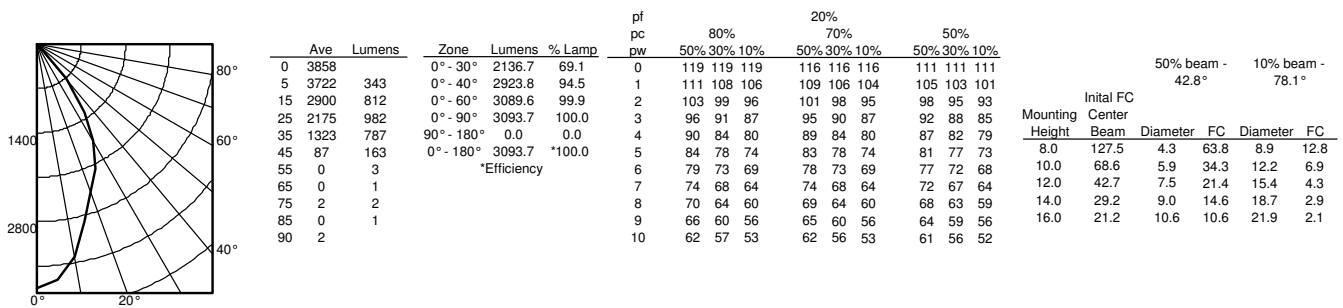
PHOTOMETRICS

Distribution Curve      Distribution Data      Output Data      Coefficient of Utilization      Illuminance Data at 30" Above Floor for a Single Luminaire

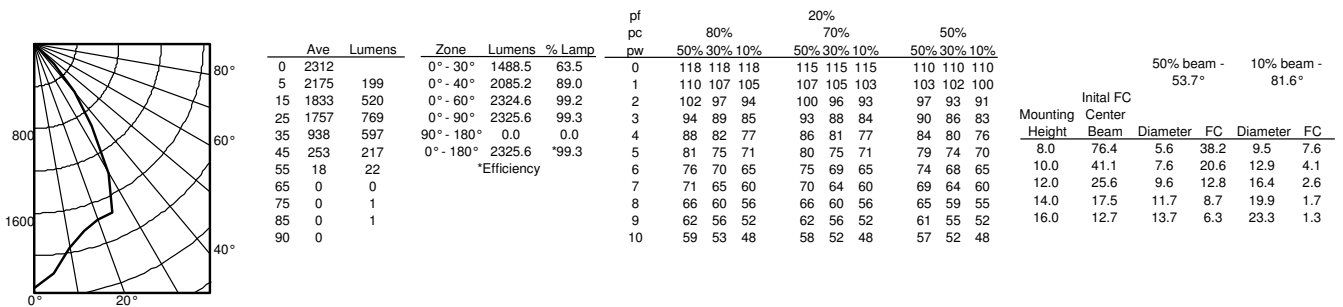
LC4S 28LM 35K + L4 HM CS, 3500K LEDs, input watts: 28.46, delivered lumens: 3016.3, LM/W = 106.0, Spacing Criteria: 0.6, test no. PR07172472, tested in accordance to IESNA LM-79.



LC4S 28LM 35K + L4 HW CS, 3500K LEDs, input watts: 28.46, delivered lumens: 3093.7, LM/W = 108.7, Spacing Criteria: 0.6, test no. PR07172473, tested in accordance to IESNA LM-79.



LC4S 28LM 35K + L4 P CS, 3500K LEDs, input watts: 28.46, delivered lumens: 2325.6, LM/W = 81.7, Spacing Criteria: 1.0, test no. PR07172474, tested in accordance to IESNA LM-79.



**PERFORMANCE DATA**

**LUMINAIRES SPACED 2' FROM WALL**

Catalog Number: LC4(X) 28LM 35K MVOLT G4 80CRI ZT; L4 HWS CD Spread: Single Wall Test #: PRO6151992

Single Unit						Lamp	Multiple Units On 2' Centers*			Multiple Units On 3' Centers*			Multiple Units On 4' Centers*		
Lateral Distance From Fixture 2' From Wall						BXRA N4000 4000K	Spaced 2' From Wall			Spaced 2' From Wall			Spaced 2' From Wall		
0'	1'	2'	3'	4'	5'	Distance From Ceiling	CL	CL	CL	CL	CL	CL	CL	CL	CL
39	28	12	5	2	2	1'	64	62	64	47	40	47	42	24	42
49	38	19	8	4	3	2'	90	89	90	63	59	63	54	39	54
38	30	17	8	4	3	3'	75	74	75	53	50	53	44	34	44
28	24	16	9	5	3	4'	63	63	63	43	44	43	34	33	34
19	17	13	9	6	4	5'	50	51	50	35	35	35	27	28	27
13	12	10	8	6	4	6'	40	41	40	29	29	29	23	22	23
10	9	8	7	6	4	7'	33	34	33	24	25	24	19	19	19
8	8	7	6	5	5	8'	27	28	27	21	21	21	16	15	16
6	6	5	5	4	4	9'	21	22	21	16	17	16	13	12	13
4	4	4	3	3	3	10'	15	16	15	12	13	12	10	10	10

**LUMINAIRES SPACED 3' FROM WALL**

Catalog Number: LC4(X) 28LM 35K MVOLT G4 80CRI ZT; L4 HWS CD Spread: Single Wall Test #: PRO6151992

Single Unit						Lamp	Multiple Units On 3' Centers*			Multiple Units On 4' Centers*			Multiple Units On 5' Centers*		
Lateral Distance From Fixture 3' From Wall						BXRA N4000 4000K	Spaced 3' From Wall			Spaced 3' From Wall			Spaced 3' From Wall		
0'	1'	2'	3'	4'	5'	Distance From Ceiling	CL	CL	CL	CL	CL	CL	CL	CL	CL
15	12	8	5	3	2	1'	23	22	23	19	17	19	15	9	15
26	23	15	9	5	4	2'	43	43	43	34	32	34	27	17	27
23	20	15	10	6	4	3'	42	42	42	32	32	32	24	19	24
20	17	13	9	6	4	4'	38	36	38	30	28	30	22	18	22
17	16	12	9	6	4	5'	34	35	34	27	27	27	19	17	19
14	13	11	9	6	5	6'	31	31	31	24	24	24	17	16	17
11	10	9	8	6	5	7'	27	28	27	22	22	22	15	15	15
9	9	8	7	6	5	8'	24	24	24	19	19	19	13	13	13
7	7	6	5	5	4	9'	19	20	19	15	16	15	11	10	11
5	5	5	4	4	4	10'	15	15	15	12	13	12	9	8	9

\*Based on minimum of five luminaires. Reflectances: 80, 50, 20. Values are rounded to nearest whole footcandle.

Fixtures tested to IES recommended standard for solid state lighting per LM-79-08. Photometric performance on a single unit represents a baseline of performance for the fixture. Results may vary in the field.

**PERFORMANCE DATA**

**LUMINAIRES SPACED 2' FROM WALL**

Catalog Number: LC4(X) 28LM 35K MVOLT G4 80CRI ZT; L4 WS CSS Spread: Single Wall Test #: PR06151991

Single Unit							Lamp	Multiple Units On 2' Centers*			Multiple Units On 3' Centers*			Multiple Units On 4' Centers*		
Lateral Distance From Fixture 2' From Wall							BXRA N4000 4000K	Spaced 2' From Wall			Spaced 2' From Wall			Spaced 2' From Wall		
0'	1'	2'	3'	4'	5'	Distance From Ceiling	CL	CL	CL	CL	CL	CL	CL	CL	CL	
19	12	5	3	2	2	1'	30	27	30	24	17	24	22	10	22	
42	26	10	5	3	3	2'	63	59	63	51	35	51	46	20	46	
47	36	17	7	4	3	3'	84	84	84	60	56	60	53	34	53	
29	27	19	10	5	4	4'	70	70	70	47	51	47	37	38	37	
19	18	15	10	6	4	5'	55	55	55	38	39	38	29	31	29	
13	13	11	9	7	5	6'	44	44	44	32	32	32	24	25	24	
10	10	9	8	6	5	7'	36	37	36	27	27	27	21	21	21	
8	8	7	6	6	5	8'	30	31	30	23	24	23	18	17	18	
6	6	6	5	5	4	9'	23	24	23	18	19	18	14	14	14	
4	4	4	4	4	3	10'	17	17	17	14	14	14	11	11	11	

**LUMINAIRES SPACED 3' FROM WALL**

Catalog Number: LC4(X) 28LM 35K MVOLT G4 80CRI ZT; L4 WS CSS Spread: Single Wall Test #: PR06151991

Single Unit							Lamp	Multiple Units On 3' Centers*			Multiple Units On 4' Centers*			Multiple Units On 5' Centers*		
Lateral Distance From Fixture 3' From Wall							BXRA N4000 4000K	Spaced 3' From Wall			Spaced 3' From Wall			Spaced 3' From Wall		
0'	1'	2'	3'	4'	5'	Distance From Ceiling	CL	CL	CL	CL	CL	CL	CL	CL	CL	
8	6	4	3	2	2	1'	13	12	13	11	9	11	9	5	9	
15	12	7	4	3	3	2'	22	21	22	20	16	20	16	8	16	
23	18	11	6	4	4	3'	34	32	34	29	22	29	24	11	24	
25	22	15	8	5	4	4'	41	41	41	33	31	33	27	16	27	
19	18	15	10	7	5	5'	39	39	39	29	31	29	22	19	22	
14	14	12	10	8	6	6'	34	35	34	27	28	27	18	19	18	
11	11	10	9	7	6	7'	30	31	30	23	24	23	16	17	16	
9	9	8	8	6	6	8'	26	27	26	20	22	20	14	14	14	
7	7	6	6	5	5	9'	21	22	21	17	18	17	12	12	12	
5	5	5	4	4	4	10'	17	17	17	13	14	13	9	9	9	

\*Based on minimum of five luminaires. Reflectances: 80, 50, 20. Values are rounded to nearest whole footcandle.

Fixtures tested to IES recommended standard for solid state lighting per LM-79-08. Photometric performance on a single unit represents a baseline of performance for the fixture. Results may vary in the field.



**CONTROLS**

**EXAMPLE**

Group Fixture Control\*

\*Application diagram applies for fixtures with eldoLED drivers only.

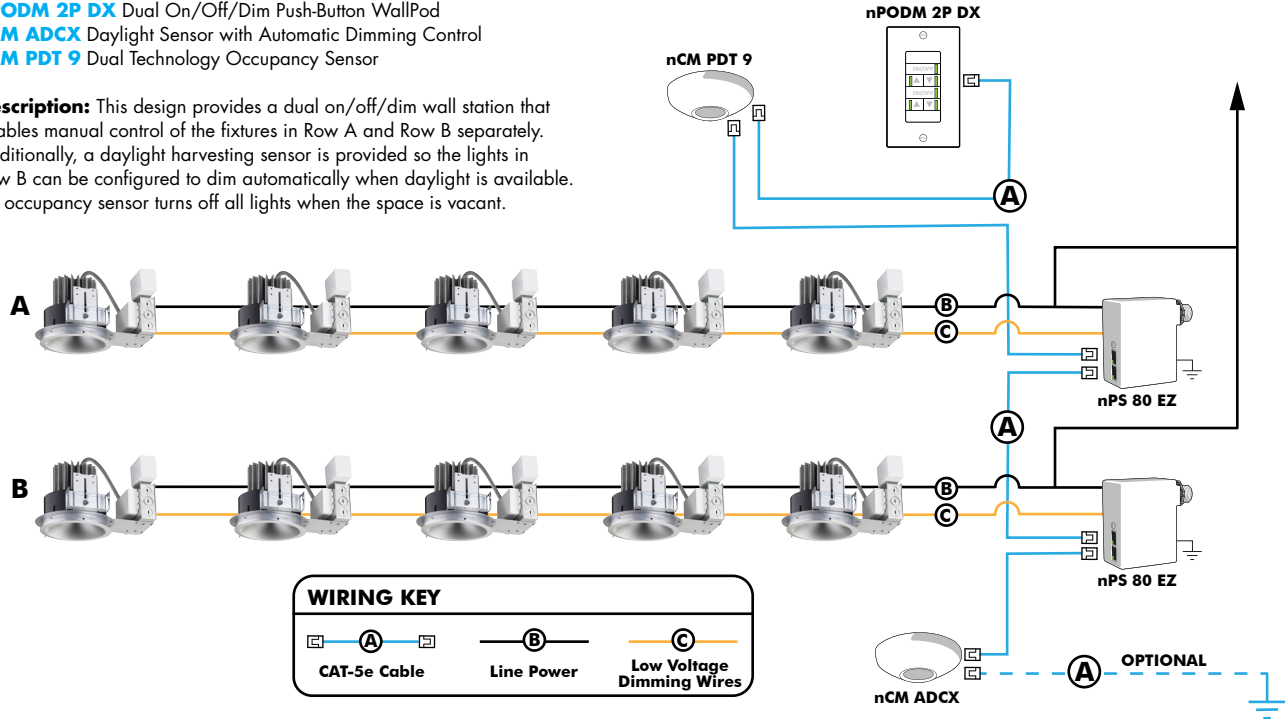
**nPS 80 EZ** Dimming/Control Pack (qty: 2 required)

**nPODM 2P DX** Dual On/Off/Dim Push-Button WallPod

**nCM ADCX** Daylight Sensor with Automatic Dimming Control

**nCM PDT 9** Dual Technology Occupancy Sensor

**Description:** This design provides a dual on/off/dim wall station that enables manual control of the fixtures in Row A and Row B separately. Additionally, a daylight harvesting sensor is provided so the lights in Row B can be configured to dim automatically when daylight is available. An occupancy sensor turns off all lights when the space is vacant.



**Choose Wall Controls**

nLight offers multiple styles of wall controls - each with varying features and user experience.



**Push-Button Wallpod**  
Traditional tactile buttons and LED user feedback



**Graphic Wallpod**  
Full color touch screen provides a sophisticated look and feel

**nLight® Wired Controls Accessories:**

Order as separate catalog number. Visit [www.acuitybrands.com/products/controls/nlight](http://www.acuitybrands.com/products/controls/nlight) for complete listing of nLight controls.

WallPod Stations	Model number	Occupancy sensors	Model Number
On/Off	nPODM (Color)	Small motion 360°, ceiling (PIR/dual Tech)	nCM 9 / nCM PDT 9
On/Off & Raise/Lower	nPOD DX (Color)	Large motion 360°, ceiling (PIR/dual tech)	nCM 10 / nCM PDT 10
Graphic Touchscreen	nPOD GFX (Color)	Wide View (PIR/dual tech)	nWV 16 / nWV PDT 16
<b>Photocell controls</b>	<b>Model Number</b>	Wall Switch w/ Raise/Lower (PIR/dual tech)	nWSX LV DX / nWSX PDT LV DX
Dimming	nCM ADCX	<b>Cat-5 cables (plenum rated)</b>	<b>Model Number</b>
		10', CAT5 10FT	CATS 10FT J1
		15, CAT5 15FT	CATS 15FT J1



**Capable Luminaire**

This item is an A+ capable luminaire, which has been designed and tested to provide consistent color appearance and out-of-the-box control compatibility with simple commissioning.

- All configurations of this luminaire meet the Acuity Brand's specification for chromatic consistency.
- This luminaire is part of an A+ Certified solution for nLight control networks when ordered with drivers marked by a shaded background\*
- This Luminaire is part of an A+ Certified solution for nLight control networks, providing advanced control functionality at the luminaire level, when selection includes driver and control options marked by a shaded background\*

To learn more about A+, visit [www.acuitybrands.com/aplus](http://www.acuitybrands.com/aplus).

\*See ordering tree for details

**nLight® AIR Control Accessories:**

Order as separate catalog number. Visit [www.acuitybrands.com/products/controls/nlightair](http://www.acuitybrands.com/products/controls/nlightair).

Wall switches	Model number
On/Off single pole	rPODB [color]
On/Off two pole	rPODB 2P [color]
On/Off & raise/lower single pole	rPODB DX [color]
On/Off & raise/lower two pole	rPODB 2P DX [color]
On/Off & raise/lower single pole	rPODBZ DX WH <sup>1</sup>

**Notes**

1 Can only be ordered with the RES7Z zone control sensor version.

**nLight AIR**

nLight AIR is the ideal solution for retrofit or new construction spaces where adding communication is cost prohibitive. The integrated nLight AIR rPP20 Power Pack is part of each Indy L-Series Luminaire. These individually addressable controls offer the ultimate in flexibility during initial setup and for space repurposing.



Simple as 1,2,3

1. Install the nLight® AIR fixtures with embedded smart sensor
2. Install the wireless battery-powered wall switch
3. With CLAIRITY app, pair the fixtures with the wall switch and if desired, customize the sensor settings for the desired outcome

