

## ENVIRONMENTALLY FRIENDLY, ENERGY EFFICIENT

- One fixture converts nearly any manufacturers incandescent, CFL or H.I.D. fixtures with a rough-in inner diameter of 11-3/4" to 12-3/4" diameter to high efficiency LED
- All installation can be performed from below the ceiling with out removing existing fixture
- Energy savings up to 50-60% vs. CFL and HID
- Superior-quality white LED light output using Chip on Board technology
- Patented Hyperbolic Reflector (U.S. Patent No. 10,670,227 B2)
- **Low UGR**: UGR of zero for fixtures aimed at nadir with a cut-off equal to or less than 60deg per CIE 117-1995 Discomfort Glare in Interior Lighting.

## PRODUCT SPECIFICATIONS

**Atrius™ - Ready Product:** Select models of the L-series product line deliver valuable data and connectivity to the Atrius IoT location based platform services. For more information, please refer to [www.acuitybrands.com/Atrius](http://www.acuitybrands.com/Atrius).

### OPTICS

**Hyperbolic:** Patented hyperbolic shape (U.S. Patent No. 10,670,227 B2) optimized for small, directional LED source, maximizes fixture efficiency while creating the "Silent Ceiling" appearance by reducing lamp image and aperture brightness • Geometry of hyperbolic curve provides unique aperture appearance and smoother light distribution

**Parabolic/Lens:** Computer-optimized parabolic reflector with frosted convex lens regressed into cone provides uniform distribution with no striations

**Overlap Ring:** All fixtures include a white painted overlap ring to conceal the housing from below the ceiling. The ring will extend past the trim flange. For additional ring color options, consult factory.

### ELECTRICAL

**LED Light Engine:** Compact light source delivers uniform illumination without pixilation, enabling excellent beam control • 2SDCM (5000K within 3SDCM) • 80, 90 & 97 CRI • Replaceable light engine with push in wire connections mounts directly to heat sink and is easily replaceable

**Passive Cooling:** Aluminum heat sink integrated directly with housing provides superior thermal management to ensure the long life of LED

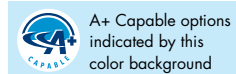
**LED Driver:** Power factor >0.9 • Easily replaceable from above or below the ceiling

**Dimming:** Dimmable via 0-10V protocol standard • Optional drivers available for use with Lutron EcoSystem, 2-wire dimmers DMX, or DALI • For a list of compatible dimmers, see [LED-DIM](#).

**Life:** Rated for 60,000 hours at 70% lumen maintenance

**Operation Temperature:** -20° C to 50° C

**Emergency Battery Pack (Optional) output:** Provides a minimum of 600 (BR & BRT20C), or 1000 (HBR) lumens for a minimum duration of 90 minutes • BRT20C option is CEC Title 20 compliant



## ORDERING INFORMATION

Complete Catalog# Example Includes (Rough-In, option, reflector, accessory)

Ordering Example: LRT12 08LM 27K MVOLT G4 80CRI ZT HW CS PF

### ROUGH-IN

Series	Lumen Package	Color Temperature	Voltage	Generation	CRI	Driver	Rough-In Options
LRT12 12" L-Series Retrofit Downlight	08LM 800 Lumens	27K 2700K	120	G4	80CRI	EDAB <sup>17</sup> eldoLED SOLOdrive DALI. Logarithmic dimming to <1%	F <sup>3,8</sup> Fuse and Fuse Holder
	13LM 1300 Lumens	30K 3000K	277		90CRI		
	15LM 1500 Lumens	35K 3500K	347		97CRI <sup>2</sup>	EDXB <sup>3,5</sup> eldoLED POWERdrive DMX/RDM w/ Phoenix Connectors. Dimming to <1%	BR <sup>3,11</sup> 600 Lumen Emergency Battery Pack w/Remote Test Switch
	17LM 1700 Lumens	40K 4000K	MVOLT <sup>1</sup> (120-277)				
	23LM 2300 Lumens	50K 5000K			EZ1 <sup>17</sup> eldoLED 0-10V ECOdrive. Linear dimming to 1% min.	HBR <sup>3,11</sup> 1000 Lumen Emergency Battery Pack w/Remote Test Switch	
	28LM 2800 Lumens						EZB <sup>17</sup> eldoLED 0-10V SOLOdrive. Logarithmic dimming to <1%
	33LM 3300 Lumens				FD <sup>4,6</sup> Forward or Reverse Phase Dimming Driver	NLER <sup>9,10</sup> nLight® dimming pack controls. nLER controls fixtures on emergency circuit	
	40LM 4000 Lumens						ECOD <sup>7,13</sup> Lutron Ecosystem 2-Wire Dimming Driver
	45LM 4500 Lumens				ZT 0-10V Dimming to 10% min	NLTAIRER <sup>23,10,15</sup> nLight® AIR Dimming Pack Wireless Controls. Controls fixtures on emergency circuit	
	50LM 5000 Lumens						GZ1 <sup>4</sup> 0-10V Dimming to 1% min
	55LM 5500 Lumens					AE2CD <sup>14,15</sup> Atrius™ - Ready, VLC Commissioning, Radio (BT Positioning)	
	60LM 6000 Lumens						
	65LM 6500 Lumens						
	70LM 7000 Lumens						
	75LM 7500 Lumens						
	80LM 8000 Lumens						
85LM 8500 Lumens							
90LM 9000 Lumens							

See Reflector and notes on page 2.



ATRIUS  
READY



800 TO 9000 LUMEN  
12" LED RETRO-FIT

HYPERBOLIC / PARABOLIC

LRT12 SERIES

Type	Cat. No.
_____	_____
Project:	_____
Notes:	_____

**BUY AMERICAN ACT:** This product is assembled in the USA and meets the Buy America(n) government procurement requirements under FAR, DFARS and DOT regulations. Please refer to [www.acuitybrands.com/buy-american](http://www.acuitybrands.com/buy-american) for additional information.

**Warranty:** 5 years when used in accordance with manufacturing guidelines. This is the only warranty provided and no other statements in this specification sheet create any warranty of any kind. All other express and implied warranties are disclaimed.

**Note:** Actual performance may differ as a result of end-user environment and application. Specifications subject to change without notice.



**REFLECTOR** To order reflector separately, use "LRT12" prefix before reflector option values. Ex: LRT12 HW CS PF

Trim Style	Finish	Trim Options
<b>HM</b> <sup>11</sup> Hyperbolic Medium	<b>CD</b> Clear Diffuse	<b>PF</b> <sup>12</sup> White Flange
<b>HW</b> <sup>11</sup> Hyperbolic Wide	<b>CS</b> Clear Specular	<b>WET</b> Wet Location
<b>P</b> Parabolic	<b>CSS</b> Clear Semi-Specular	
	<b>WH</b> White, White Flange	

**Ordering Notes**

- Only 800, 1300, 1500 and 1700 lumen fixtures are MVOLT.
- 2700K & 3000K only.
- Not available with 347V.
- Not available for 6000 lumens and up.
- Not available for 4000 and 5500 lumens and up.
- 120V only.
- Not available for 5000 lumens and up.
- Specify voltage.
- BR, BRT20C, HBR, EDXB, NL, NLER, NLTAIR2, NLTAIRER2 not compatible with CP.
- Only compatible with the following driver options: EZ1, EZB, EZ10, GZ1; ZT (for 60LM - 90LM only).

- Not compatible with WET.
- PF not available with WH finish. When specifying WH finish, flange is always painted white.
- Not compatible with BR, BRT20C, or HBR.
- See AE2CD notes in following table for compatibility with other options.
- NLTAIR2, NLTAIRER2, AE2CD not recommended for metal ceiling installations.
- Cannot be used with BR, HBR, or BRT20C. Can only be used with FD, and ZT drivers (but cannot be dimmed with ZT).
- Not available for 85LM and up.

**AE2CD Notes**

Only compatible with EZ1 driver for 55LM and below.  
 CP, BR, BRT20C, HBR, NL, NLER, NLTAIR2, NLTAIRER2 not compatible with AE2CD. Recommended ceiling height of 30' and under; not intended for use on ceilings greater than 40' or metal ceiling installations.

The Bluetooth® word mark and logos are registered trademarks owned by Bluetooth SIG, Inc. and any use of such marks by Acuity Brands Lighting is under license.

**Before ordering, check fixture compatibility as shown below:**

- Fixtures with closed cans are not compatible with Indy LRT retrofit fixtures. Only open frame style fixtures can be retrofitted using Indy LRT retrofits.
- Measure the existing fixture frame opening by removing the existing reflector, then measuring the diameter of the existing metal frame opening. The correct measurement is shown in the photo below.
- Refer to the below table to pick the correct fixture, or fixture plus oversize ring



Measure the diameter of the metal frame through the center of the opening

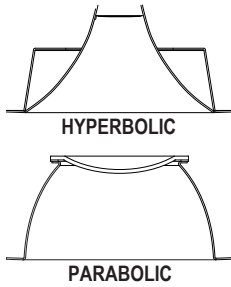
Existing Fixture Frame Opening Diameter	Use This Retrofit
6" through 6-5/8"	LRT6 fixture
6-11/16" through 7-1/2"	LRT6 fixture plus INOR6/712 oversize ring
7-5/8" through 8-1/8"	LRT8 fixture
8-3/16" through 8-7/8"	LRT8 fixture plus INOR8/878 oversize ring
9" through 10"	LRT9 fixture
10" through 11"	LRT10 fixture
11-3/4" through 12-3/4"	LRT12 fixture

**PRODUCT SPECIFICATIONS (cont.)**

**MECHANICAL**

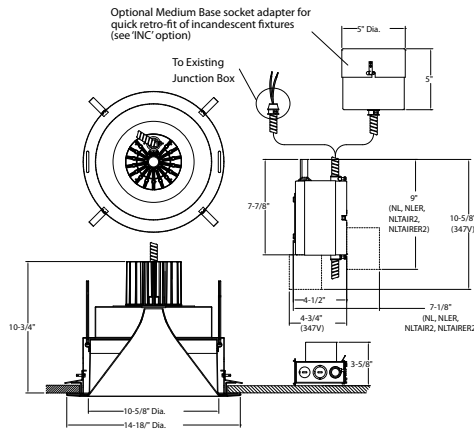
**Retro-fit Housing:** Housing installs from below ceiling • Must be installed in ring frame only • Secured in place by four (4) tension clips • Tension clips accommodate ceilings from 1/2" to 1-1/8" thick • Integral heat sink conducts heat away from LED light engine • Driver is accessible from below the ceiling and can be upgraded to accommodate future technology improvements.

**TRIMS:**



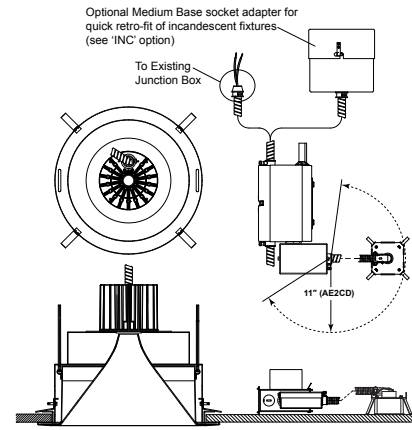
**APERTURE:** 10-5/8" Dia.  
**RETROFITS:** fixtures with a rough-in inner diameter of 11-3/4" to 12-3/4"  
**OVERLAP RING:** 14-1/8" Dia.

**PASSIVE COOLING DIMENSIONS: 800 - 9000 Lumens**



**Atrius Enabled**

**PASSIVE COOLING DIMENSIONS: 800 - 9000 Lumens**



**ENERGY STAR® certified**

ENERGY STAR® certified		PRODUCT#	FIXTURE CONFIGURATIONS = ENERGY STAR
	LRT12 (WW)LM (XX)K V G4 (YY)CRI (ZZ) (CC)	<b>Lumen Package:</b> WW = 08, 13, 15, 17, 23, 28, 33, 40, 45, 55, 65, 75, 80, 85, 90 <b>CCT:</b> XX = 27, 30, 35, 40, 50 <b>Voltage:</b> V = MVOLT, 120, 277 <b>CRI:</b> YY = 80, 90, 97 <b>Driver:</b> UU = FD, EZ1, EZ10, EZB, ZT, GZ1 <b>Trim Type:</b> ZZ = HM, HW, P <b>Trim Color/Finish:</b> CC = CS, CSS, CD	

**LABELS AND LISTINGS**

Tested to UL1598 and CSA C22.2 250 and listed for damp locations • Spacing requirement for 4000 lumen and above: minimum of 4' between fixture centers, 3" overhead clearance, 2' from fixture center to side wall • RoHS compliant • EMI complies with FCC 47, Part 15, Class A • ENERGY STAR® certified, see table for designated products • I.B.E.W. Union made

**ENGINEERING DATA: 347 Volt available, consult factory**

120																			
VOLTAGE																			
LIGHT ENGINE LUMENS	800	1300	1500	1700	2300	2800	3300	4000	4500	5000	5500	6000	6500	7000	7500	8000	8500	9000	
2700K/3000K/3500K/4000K/5000K																			
INPUT CURRENT	0.063	0.098	0.115	0.132	0.197	0.238	0.280	0.351	0.345	0.381	0.427	0.439	0.483	0.541	0.573	0.607	0.656	0.710	
INPUT WATTAGE	7.53	11.74	13.66	15.82	23.52	28.46	33.62	42.14	41.41	45.54	51.08	52.51	58.11	64.59	68.84	72.83	78.87	85.03	
INPUT FREQUENCY	50/60Hz	50/60Hz	50/60Hz	50/60Hz	50/60Hz	50/60Hz	50/60Hz	50/60Hz	50/60Hz	50/60Hz	50/60Hz	50/60Hz	50/60Hz	50/60Hz	50/60Hz	50/60Hz	50/60Hz	50/60Hz	
THD%	6.42	5.19	4.61	3.86	5.09	5.46	4.43	4.53	6.03	6.03	6.23	6.44	6.54	7.32	7.58	7.75	8.37	8.05	
POWER FACTOR	0.993	0.993	0.992	0.994	0.994	0.995	0.997	0.998	0.996	0.996	0.996	0.996	0.996	0.995	0.995	0.996	0.996	0.996	
277																			
VOLTAGE																			
LIGHT ENGINE LUMENS	800	1300	1500	1700	2300	2800	3300	4000	4500	5000	5500	6000	6500	7000	7500	8000	8500	9000	
2700K/3000K/3500K/4000K/5000K																			
INPUT CURRENT	0.031	0.048	0.056	0.063	0.093	0.108	0.131	0.158	0.161	0.175	0.195	0.202	0.221	0.251	0.265	0.268	0.290	0.310	
INPUT WATTAGE	7.87	11.84	13.81	15.89	23.65	28.19	33.83	41.68	41.74	45.80	51.02	52.35	57.64	64.22	68.40	71.29	77.27	83.16	
INPUT FREQUENCY	50/60Hz	50/60Hz	50/60Hz	50/60Hz	50/60Hz	50/60Hz	50/60Hz	50/60Hz	50/60Hz	50/60Hz	50/60Hz	50/60Hz	50/60Hz	50/60Hz	50/60Hz	50/60Hz	50/60Hz	50/60Hz	
THD%	12.00	11.62	11.31	11.34	9.93	9.04	10.48	8.79	9.15	8.07	9.85	11.12	10.97	13.07	12.83	12.96	13.53	12.56	
POWER FACTOR	0.904	0.885	0.887	0.907	0.918	0.943	0.932	0.953	0.934	0.943	0.944	0.933	0.942	0.921	0.931	0.957	0.962	0.965	

**HYPERBOLIC**

DELIVERED LUMENS/LUMENS PER WATT (35K 80CRI)																			
	800 35K		1300 35K		1500 35K		1700 35K		2300 35K		2800 35K		3300 35K		4000 35K		4500 35K		
TRIM/FINISH	Lumens	LPW	Lumens	LPW	Lumens	LPW	Lumens	LPW	Lumens	LPW	Lumens	LPW	Lumens	LPW	Lumens	LPW	Lumens	LPW	
LRT12 HM CS	748	99.3	1247	106.2	1441	105.5	1640	103.7	2208	93.9	2663	93.6	3099	92.2	3768	89.4	3990	96.4	
LRT12 HM CSS	706	93.7	1177	100.2	1360	99.5	1548	97.8	2084	88.6	2512	88.3	2924	87.0	3555	84.4	3719	89.8	
LRT12 HM CD	625	83.1	1043	88.9	1205	88.2	1372	86.7	1847	78.5	2227	78.3	2592	77.1	3152	74.8	3420	82.6	
LRT12 HW CS	726	96.3	1210	103.1	1398	102.4	1592	100.6	2143	91.1	2584	90.8	3007	89.4	3656	86.8	3990	96.4	
LRT12 HW CSS	683	90.7	1139	97.0	1317	96.4	1499	94.7	2018	85.8	2433	85.5	2831	84.2	3442	81.7	3686	89.0	
LRT12 HW CD	601	79.8	1002	85.3	1157	84.7	1318	83.3	1774	75.4	2139	75.1	2489	74.0	3026	71.8	3209	77.5	
	5000 35K		5500 35K		6000 35K		6500 35K		7000 35K		7500 35K		8000 35K		8500 35K		9000 35K		
TRIM/FINISH	Lumens	LPW	Lumens	LPW	Lumens	LPW	Lumens	LPW	Lumens	LPW	Lumens	LPW	Lumens	LPW	Lumens	LPW	Lumens	LPW	
LRT12 HM CS	4367	95.9	4836	94.7	5022	95.6	5498	94.6	6018	93.2	6301	91.5	6684	91.8	7379	93.6	7769	91.4	
LRT12 HM CSS	4070	89.4	4507	88.2	4680	89.1	5124	88.2	5609	86.8	5872	85.3	6230	85.5	6878	87.2	7241	85.2	
LRT12 HM CD	3742	82.2	4144	81.1	4304	82.0	4712	81.1	5157	79.8	5400	78.4	5728	78.7	6324	80.2	6658	78.3	
LRT12 HW CS	4367	95.9	4836	94.7	5022	95.6	5498	94.6	6018	93.2	6301	91.5	6684	91.8	7379	93.6	7769	91.4	
LRT12 HW CSS	4034	88.6	4467	87.5	4639	88.4	5079	87.4	5560	86.1	5821	84.6	6175	84.8	6818	86.4	7177	84.4	
LRT12 HW CD	3512	77.1	3889	76.1	4039	76.9	4422	76.1	4840	74.9	5068	73.6	5376	73.8	5935	75.3	6248	73.5	

**PARABOLIC**

DELIVERED LUMENS/LUMENS PER WATT (35K 80CRI)																			
	800 35K		1300 35K		1500 35K		1700 35K		2300 35K		2800 35K		3300 35K		4000 35K		4500 35K		
TRIM/FINISH	Lumens	LPW	Lumens	LPW	Lumens	LPW	Lumens	LPW	Lumens	LPW	Lumens	LPW	Lumens	LPW	Lumens	LPW	Lumens	LPW	
LRT12 P CS	647	86.0	1080	92.0	1248	91.4	1421	89.8	1912	81.3	2306	81.0	2684	79.8	3263	77.4	3608	87.1	
LRT12 P CSS	638	84.7	1064	90.6	1230	90.0	1400	88.5	1884	80.1	2272	79.8	2644	78.7	3215	76.3	3587	86.6	
LRT12 P CD	571	75.8	952	81.1	1100	80.5	1252	79.2	1686	71.7	2032	71.4	2365	70.4	2876	68.2	3203	77.3	
	5000 35K		5500 35K		6000 35K		6500 35K		7000 35K		7500 35K		8000 35K		8500 35K		9000 35K		
TRIM/FINISH	Lumens	LPW	Lumens	LPW	Lumens	LPW	Lumens	LPW	Lumens	LPW	Lumens	LPW	Lumens	LPW	Lumens	LPW	Lumens	LPW	
LRT12 P CS	3949	86.7	4373	85.6	4541	86.5	4972	85.6	5442	84.3	5698	82.8	6045	83.0	6673	84.6	7026	82.6	
LRT12 P CSS	3926	86.2	4347	85.1	4514	86.0	4943	85.1	5410	83.8	5664	82.3	6009	82.5	6634	84.1	6984	82.1	
LRT12 P CD	3505	77.0	3881	76.0	4031	76.8	4413	75.9	4831	74.8	5057	73.5	5365	73.7	5923	75.1	6236	73.3	

**BEAM SPREAD**

TRIM	800-4000 LUMEN	4500-9000 LUMEN
LRT12 HM CS	62°	64°
LRT12 HM CSS	62°	64°
LRT12 HM CD	62°	64°
LRT12 HW CS	66°	69°
LRT12 HW CSS	66°	69°
LRT12 HW CD	66°	69°
LRT12 P CS	59°	60°
LRT12 P CSS	59°	60°
LRT12 P CD	59°	60°

**CCT MULTIPLIERS**

CCT	08LM-40LM	45LM-90LM
2700K	0.9	0.92
3000K	0.96	0.97
3500K	1	1
4000K	1.02	1.01
5000K	1.04	1.05

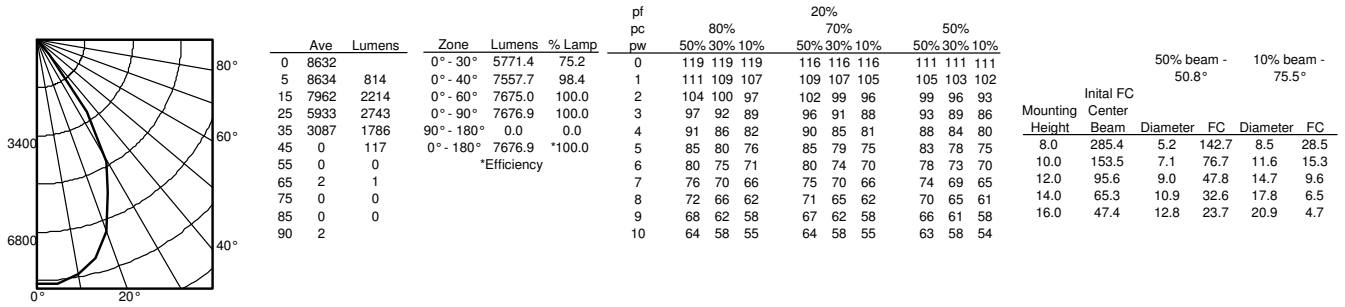
**CRI MULTIPLIERS**

CRI	08LM-40LM	45LM-90LM
80CRI	1	1
90CRI	0.83	0.85
97CRI	0.80	0.77

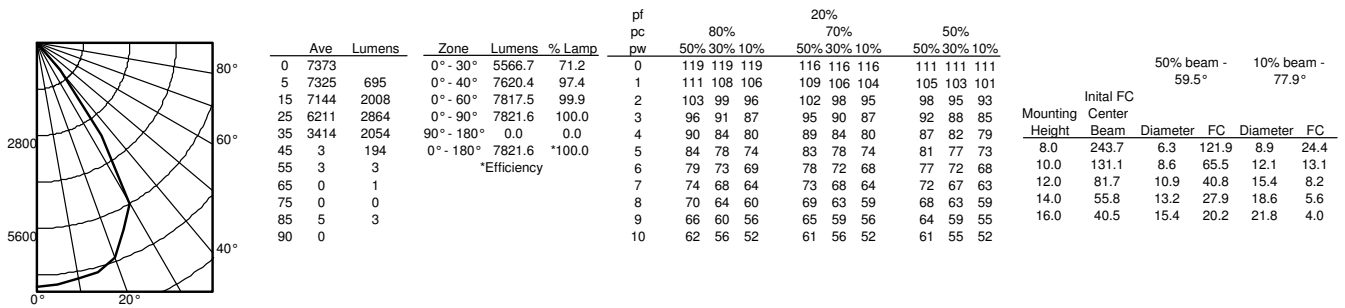
PHOTOMETRICS

Distribution Curve      Distribution Data      Output Data      Coefficient of Utilization      Illuminance Data at 30" Above Floor for a Single Luminaire

LRT12 90LM 35K + LRT12 HM CS, 3500K LEDs, input watts: 85.03, delivered lumens: 7676.9, LM/W = 90.3, Spacing Criteria: 0.9, test no. PR08170394, tested in accordance to IESNA LM-79.



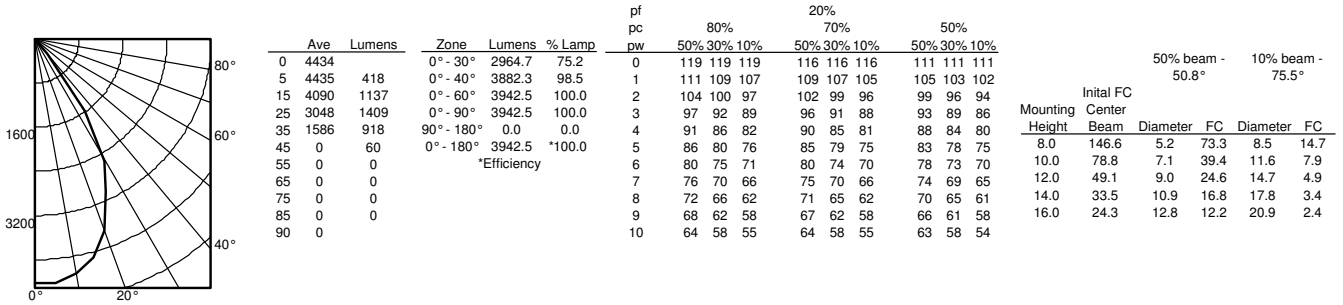
LRT12 90LM 35K + LRT12 HW CS, 3500K LEDs, input watts: 85.03, delivered lumens: 7821.6, LM/W = 92.0, Spacing Criteria: 1.1, test no. PR08170395, tested in accordance to IESNA LM-79.



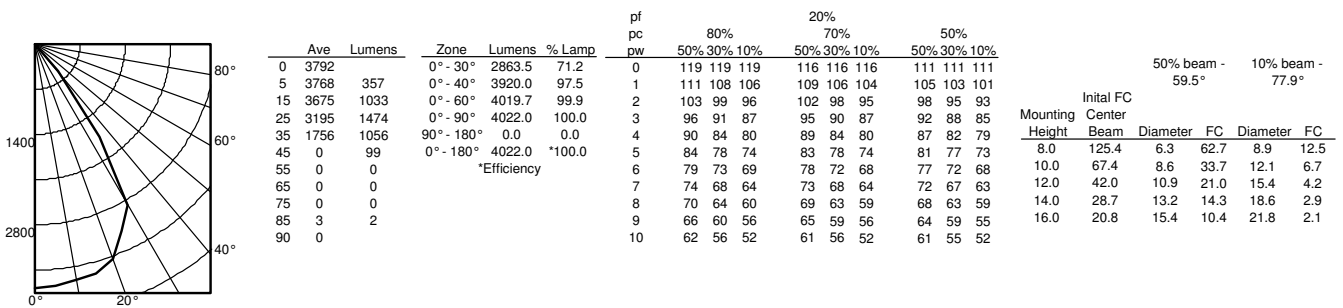
PHOTOMETRICS

Distribution Curve      Distribution Data      Output Data      Coefficient of Utilization      Illuminance Data at 30" Above Floor for a Single Luminaire

LRT12 45LM 35K + LRT12 HM CS, 3500K LEDs, input watts: 41.41, delivered lumens: 3942.5, LM/W = 95.2, Spacing Criteria: 0.9, test no. PR08170384, tested in accordance to IESNA LM-79.



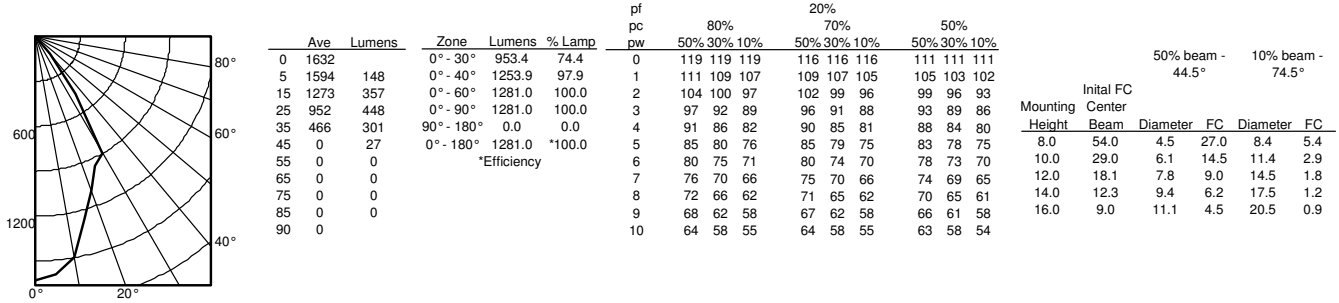
LRT12 45LM 35K + LRT12 HW CS, 3500K LEDs, input watts: 41.41, delivered lumens: 4022.0, LM/W = 97.1, Spacing Criteria: 1.1, test no. PR08170385, tested in accordance to IESNA LM-79.



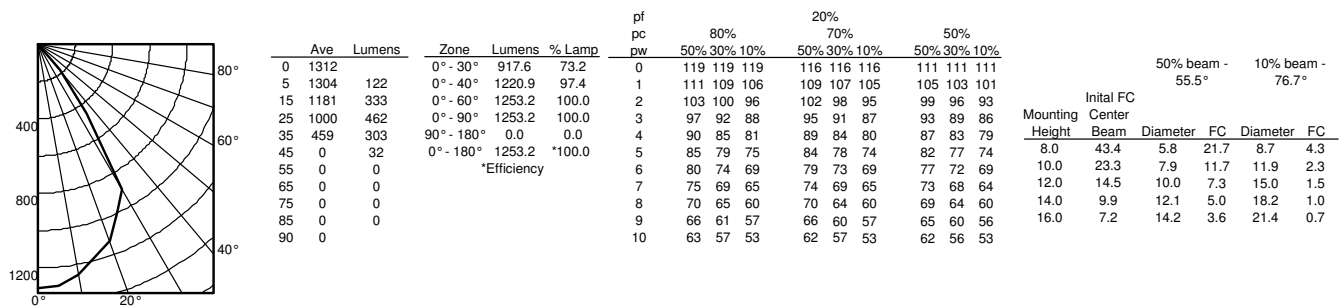
PHOTOMETRICS

Distribution Curve      Distribution Data      Output Data      Coefficient of Utilization      Illuminance Data at 30" Above Floor for a Single Luminaire

LRT12 13LM 35K + LRT12 HM CS, 3500K LEDs, input watts: 14.70, delivered lumens: 1281.0, LM/W = 87.1, Spacing Criteria: 0.8, test no. PR08170387, tested in accordance to IESNA LM-79.



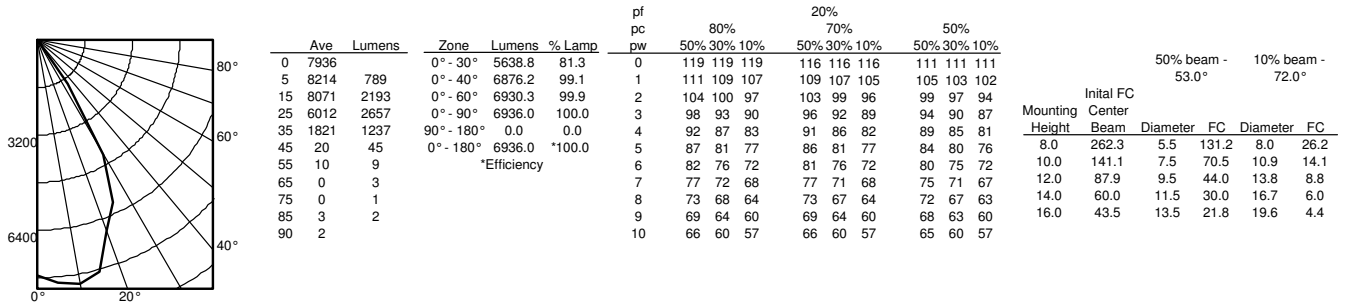
LRT12 13LM 35K + LRT12 HW CS, 3500K LEDs, input watts: 14.70, delivered lumens: 1253.2, LM/W = 85.3, Spacing Criteria: 1.1, test no. PR08170388, tested in accordance to IESNA LM-79.



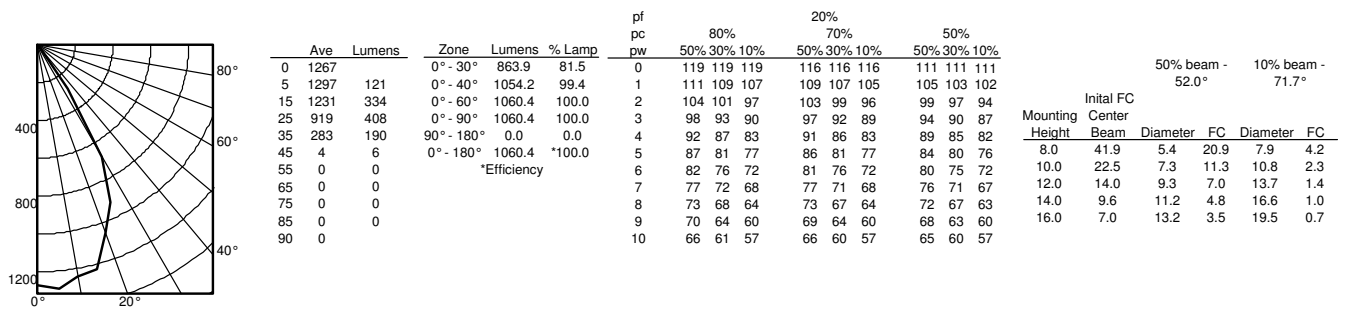
PHOTOMETRICS

Distribution Curve      Distribution Data      Output Data      Coefficient of Utilization      Illuminance Data at 30" Above Floor for a Single Luminaire

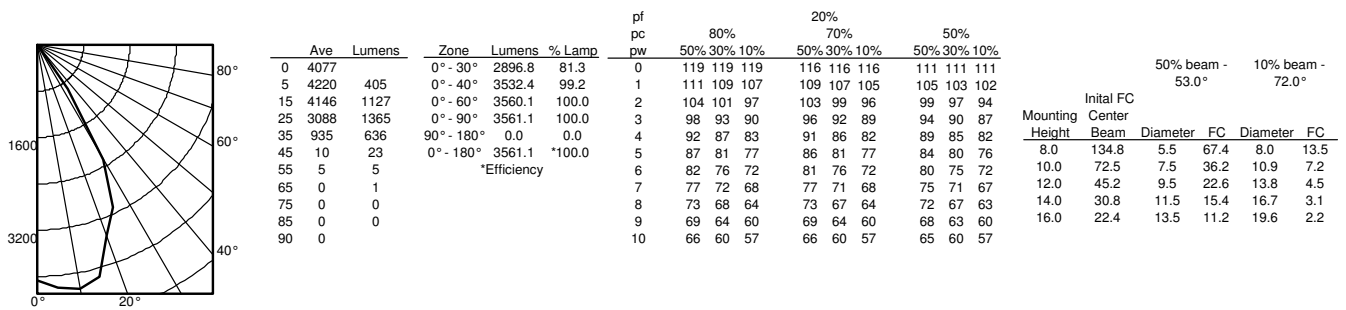
**LRT12 90LM 35K + LRT12 P CS**, 3500K LEDs, input watts: 85.03, delivered lumens: 6936.0, LM/W = 81.6, Spacing Criteria: 1.0, test no. PR08170399, tested in accordance to IESNA LM-79.



**LRT12 13LM 35K + LRT12 P CS**, 3500K LEDs, input watts: 14.70, delivered lumens: 1060.4, LM/W = 72.1, Spacing Criteria: 1.0, test no. PR08170341, tested in accordance to IESNA LM-79.



**LRT12 45LM 35K + LRT12 P CS**, 3500K LEDs, input watts: 41.41, delivered lumens: 3561.1, LM/W = 86.0, Spacing Criteria: 1.0, test no. PR08170389, tested in accordance to IESNA LM-79.





**CONTROLS**

**EXAMPLE**

Group Fixture Control\*

\*Application diagram applies for fixtures with eldoLED drivers only.

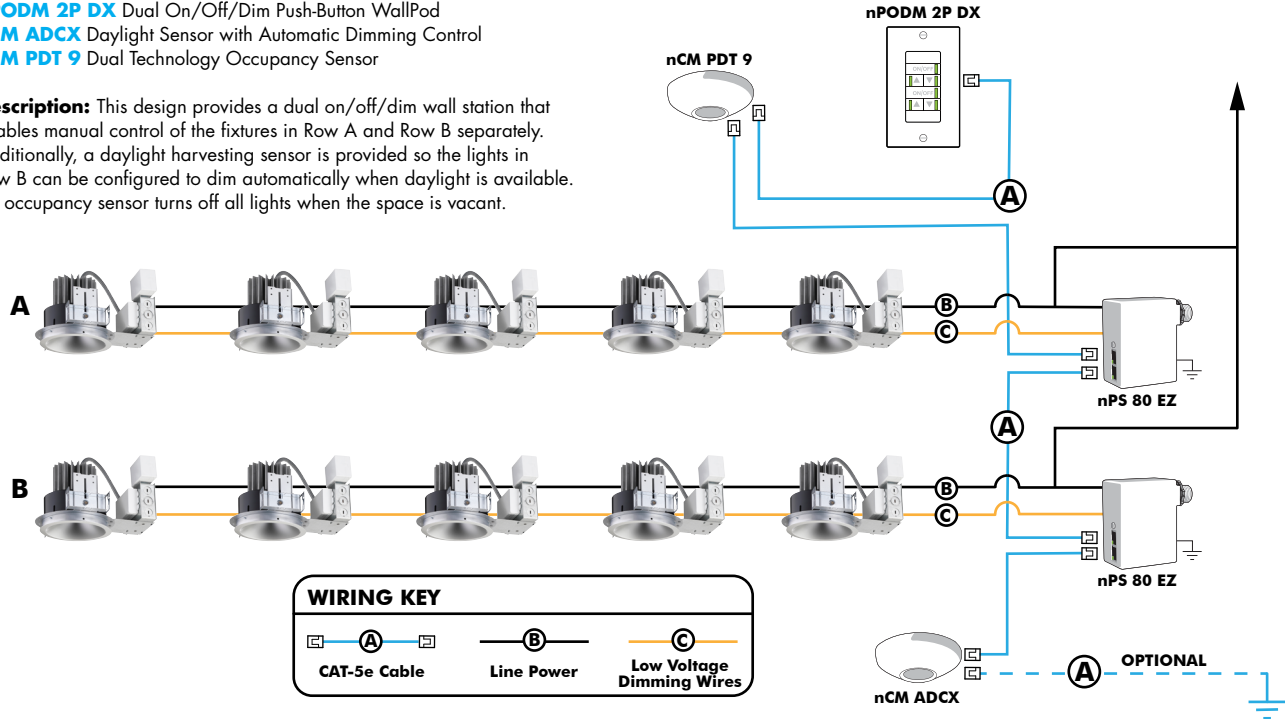
**nPS 80 EZ** Dimming/Control Pack (qty: 2 required)

**nPODM 2P DX** Dual On/Off/Dim Push-Button WallPod

**nCM ADCX** Daylight Sensor with Automatic Dimming Control

**nCM PDT 9** Dual Technology Occupancy Sensor

**Description:** This design provides a dual on/off/dim wall station that enables manual control of the fixtures in Row A and Row B separately. Additionally, a daylight harvesting sensor is provided so the lights in Row B can be configured to dim automatically when daylight is available. An occupancy sensor turns off all lights when the space is vacant.



**Choose Wall Controls**

nLight offers multiple styles of wall controls - each with varying features and user experience.



**Push-Button Wallpod**  
Traditional tactile buttons and LED user feedback



**Graphic Wallpod**  
Full color touch screen provides a sophisticated look and feel

**nLight® Wired Controls Accessories:**

Order as separate catalog number. Visit [www.acuitybrands.com/products/controls/nlight](http://www.acuitybrands.com/products/controls/nlight) for complete listing of nLight controls.

WallPod Stations	Model number	Occupancy sensors	Model Number
On/Off	nPODM (Color)	Small motion 360°, ceiling (PIR/dual Tech)	nCM 9 / nCM PDT 9
On/Off & Raise/Lower	nPOD DX (Color)	Large motion 360°, ceiling (PIR/dual tech)	nCM 10 / nCM PDT 10
Graphic Touchscreen	nPOD GFX (Color)	Wide View (PIR/dual tech)	nWV 16 / nWV PDT 16
<b>Photocell controls</b>	<b>Model Number</b>	Wall Switch w/ Raise/Lower (PIR/dual tech)	nWSX LV DX / nWSX PDT LV DX
Dimming	nCM ADCX	<b>Cat-5 cables (plenum rated)</b>	<b>Model Number</b>
		10', CAT5 10FT	CATS 10FT J1
		15, CAT5 15FT	CATS 15FT J1



**Capable Luminaire**

This item is an A+ capable luminaire, which has been designed and tested to provide consistent color appearance and out-of-the-box control compatibility with simple commissioning.

- All configurations of this luminaire meet the Acuity Brand's specification for chromatic consistency.
- This luminaire is part of an A+ Certified solution for nLight control networks when ordered with drivers marked by a Shaded background\*
- This Luminaire is part of an A+ Certified solution for nLight control networks, providing advanced control functionality at the luminaire level, when selection includes driver and control options marked by a shaded background\*

To learn more about A+, visit [www.acuitybrands.com/aplus](http://www.acuitybrands.com/aplus).

\*See ordering tree for details

**nLight® AIR Control Accessories:**

Order as separate catalog number. Visit [www.acuitybrands.com/products/controls/nlightair](http://www.acuitybrands.com/products/controls/nlightair).

Wall switches	Model number
On/Off single pole	rPODB [color]
On/Off two pole	rPODB 2P [color]
On/Off & raise/lower single pole	rPODB DX [color]
On/Off & raise/lower two pole	rPODB 2P DX [color]
On/Off & raise/lower single pole	rPODBZ DX WH <sup>1</sup>

**Notes**

- 1 Can only be ordered with the RES7Z zone control sensor version.

**nLight AIR**

nLight AIR is the ideal solution for retrofit or new construction spaces where adding communication is cost prohibitive. The integrated nLight AIR rPP20 Power Pack is part of each Indy L-Series Luminaire. These individually addressable controls offer the ultimate in flexibility during initial setup and for space repurposing.



Simple as 1,2,3

1. Install the nLight® AIR fixtures with embedded smart sensor
2. Install the wireless battery-powered wall switch
3. With CLAIRITY app, pair the fixtures with the wall switch and if desired, customize the sensor settings for the desired outcome

