

## ENVIRONMENTALLY FRIENDLY, ENERGY EFFICIENT

- One fixture converts nearly any manufacturer's incandescent, CFL or H.I.D. fixtures with a rough-in inner diameter of 9" to 10" diameter to high efficiency LED
- All installation can be performed from below the ceiling with out removing existing fixture
- Energy savings up to 50-60% vs. CFL and HID
- Superior-quality white LED light output using Chip on Board technology
- Patented Hyperbolic Reflector (U.S. Patent No. 10,670,227 B2)
- **Low UGR:** UGR of zero for fixtures aimed at nadir with a cut-off equal to or less than 60deg per CIE 117-1995 Discomfort Glare in Interior Lighting.

## PRODUCT SPECIFICATIONS

**Atrius™ - Ready Product:** Select models of the L-series product line deliver valuable data and connectivity to the Atrius IoT location based platform services. For more information, please refer to [www.acuitybrands.com/Atrius](http://www.acuitybrands.com/Atrius).

### OPTICS

**Hyperbolic:** Patented hyperbolic shape (U.S. Patent No. 10,670,227 B2) optimized for small, directional LED source, maximizes fixture efficiency while creating the "Silent Ceiling" appearance by reducing lamp image and aperture brightness • Geometry of hyperbolic curve provides unique aperture appearance and smoother light distribution

**Parabolic/Lens:** Computer-optimized parabolic reflector with frosted convex lens regressed into cone provides uniform distribution with no striations

**Overlap Ring:** All fixtures include a white painted overlap ring to conceal the housing from below the ceiling. The ring will extend past the trim flange. For additional ring color options, consult factory

### ELECTRICAL

**LED Light Engine:** Compact light source delivers uniform illumination without pixilation, enabling excellent beam control • 2SDCM (5000K within 3SDCM) • 80, 90 & 97 CRI • Replaceable light engine with push in wire connections mounts directly to heat sink and is easily replaceable

**Passive Cooling:** Aluminum heat sink integrated directly with housing provides superior thermal management to ensure the long life of LED

**LED Driver:** Power factor >0.9 • Easily replaceable from above or below the ceiling

**Dimming:** Dimmable via 0-10V protocol standard • Optional drivers available for use with Lutron EcoSystem, 2-wire dimmers DMX, or DALI • For a list of compatible dimmers, see [LED-DIM](#).

**Life:** Rated for 60,000 hours at 70% lumen maintenance

**Operation Temperature:** -20° C to 50° C

**Emergency Battery Pack (Optional) output:** Provides a minimum of 600 (BR & BRT20C), or 1000 (HBR) lumens for a minimum duration of 90 minutes • BRT20C option is CEC Title 20 compliant



A+ Capable options indicated by this color background

## ORDERING INFORMATION

Complete Catalog# Example Includes (Rough-In, option, reflector, accessory)

Ordering Example: LRT9 08LM 27K MVOLT G4 80CRI ZT HW CS PF

### ROUGH-IN

Series	Lumen Package	Color Temperature	Voltage	Generation	CRI	Driver	Rough-In Options
LRT9	9" L-Series Retrofit Downlight	08LM 800 Lumens	27K 2700K	G4	80CRI 90CRI 97CRI <sup>2</sup>	EDAB <sup>17</sup> eldoLED SOLOdrive DALI. Logarithmic dimming to <1% EDXB <sup>3,5</sup> eldoLED POWERdrive DMX/RDM w/ Phoenix Connectors. Dimming to <1% EZ10 <sup>17</sup> eldoLED 0-10V ECOdrive. Linear dimming to 10% min. EZ1 <sup>17</sup> eldoLED 0-10V ECOdrive. Linear dimming to 1% min. EZB <sup>17</sup> eldoLED 0-10V SOLOdrive. Logarithmic dimming to <1% FD <sup>4,6</sup> Forward or Reverse Phase Dimming Driver ECOD <sup>7,13</sup> Lutron Ecosystem 2-Wire Dimming Driver ZT 0-10V Dimming to 10% min GZ1 <sup>4</sup> 0-10V Dimming to 1% min	F <sup>3,8</sup> Fuse and Fuse Holder CP <sup>10</sup> Chicago Plenum BR <sup>3,11</sup> 600 Lumen Emergency Battery Pack w/Remote Test Switch BRT20C <sup>3,11</sup> 600 Lumen Emergency Battery Pack w/ Remote Test Switch, CEC Title 20 Compliant HBR <sup>3,11</sup> 1000 Lumen Emergency Battery Pack w/Remote Test Switch NL <sup>8,10</sup> nLight® Dimming Pack Controls NLER <sup>8,10</sup> nLight® dimming pack controls. nLER controls fixtures on emergency circuit NLTAIR <sup>2,3,10,15</sup> nLight® AIR Dimming Pack Wireless Controls NLTAIRER <sup>2,3,10,15</sup> nLight® AIR Dimming Pack Wireless Controls. Controls fixtures on emergency circuit INC <sup>6,16</sup> Medium base socket adapter for quick retro-fit of incandescent fixtures AE2CD <sup>14,15</sup> Atrius™ - Ready, VLC Commissioning, Radio [BT Positioning]
	13LM 1300 Lumens	30K 3000K	277				
	15LM 1500 Lumens	35K 3500K	347				
	17LM 1700 Lumens	40K 4000K	MVOLT <sup>1</sup> (120-277)				
	23LM 2300 Lumens	50K 5000K					
	28LM 2800 Lumens						
	33LM 3300 Lumens						
	40LM 4000 Lumens						
	45LM 4500 Lumens						
	50LM 5000 Lumens						
	55LM 5500 Lumens						
	60LM 6000 Lumens						
	65LM 6500 Lumens						
	70LM 7000 Lumens						
75LM 7500 Lumens							
80LM 8000 Lumens							
85LM 8500 Lumens							
90LM 9000 Lumens							

See Reflector and notes on page 2.

J7.1.90G4



ATRIUS  
READY

indy™

800 TO 9000 LUMEN  
9" LED RETRO-FIT

HYPERBOLIC / PARABOLIC

LRT9 SERIES

Type	Cat. No.
_____	_____
Project:	_____
Notes:	_____

**BUY AMERICAN ACT:** This product is assembled in the USA and meets the Buy America(n) government procurement requirements under FAR, DFARS and DOT regulations. Please refer to [www.acuitybrands.com/buy-american](http://www.acuitybrands.com/buy-american) for additional information.

**Warranty:** 5 years when used in accordance with manufacturing guidelines. This is the only warranty provided and no other statements in this specification sheet create any warranty of any kind. All other express and implied warranties are disclaimed.

**Note:** Actual performance may differ as a result of end-user environment and application. Specifications subject to change without notice.



**REFLECTOR** To order reflector separately, use "LRT9" prefix before reflector option values. Ex: LRT9 HW CS PF

Trim Style	Finish	Trim Options
HM <sup>11</sup> Hyperbolic Medium	CD Clear Diffuse	PF <sup>12</sup> White Flange
HW <sup>11</sup> Hyperbolic Wide	CS Clear Specular	WET Wet Location
P Parabolic	CSS Clear Semi-Specular	
	WH White, White Flange	

**Ordering Notes**

- 1 Only 800, 1300, 1500 and 1700 lumen fixtures are MVOLT.
- 2 2700K & 3000K only.
- 3 Not available with 347V.
- 4 Not available for 6000 lumens and up.
- 5 Not available for 4000 and 5500 lumens and up.
- 6 120V only.
- 7 Not available for 5000 lumens and up.
- 8 Specify voltage.
- 9 BR, BRT20C, HBR, EDXB, NL, NLER, NLTAIR2, NLTAIRER2 not compatible with CP.
- 10 Only compatible with the following driver options: EZ1, EZB, EZ10, GZ1; ZT (for 60LM - 90LM only).

- 11 Not compatible with WET.
- 12 PF not available with WH finish. When specifying WH finish, flange is always painted white.
- 13 Not compatible with BR, BRT20C, or HBR.
- 14 See AE2CD notes in following table for compatibility with other options.
- 15 NLTAIR2, NLTAIRER2, AE2CD not recommended for metal ceiling installations.
- 16 Cannot be used with BR, HBR, or BRT20C. Can only be used with FD, and ZT drivers (but cannot be dimmed with ZT).
- 17 Not available for 85LM and up.

**AE2CD Notes**

Only compatible with EZ1 driver for 55LM and below.  
 CP, BR, BRT20C, HBR, NL, NLER, NLTAIR2, NLTAIRER2 not compatible with AE2CD.  
 Recommended ceiling height of 30' and under; not intended for use on ceilings greater than 40' or metal ceiling installations.

The Bluetooth® word mark and logos are registered trademarks owned by Bluetooth SIG, Inc. and any use of such marks by Acuity Brands Lighting is under license.

**Before ordering, check fixture compatibility as shown below:**

1. Fixtures with closed cans are not compatible with Indy LRT retrofit fixtures. Only open frame style fixtures can be retrofitted using Indy LRT retrofits.
2. Measure the existing fixture frame opening by removing the existing reflector, then measuring the diameter of the existing metal frame opening. The correct measurement is shown in the photo below.
3. Refer to the below table to pick the correct fixture, or fixture plus oversize ring



Measure the diameter of the metal frame through the center of the opening

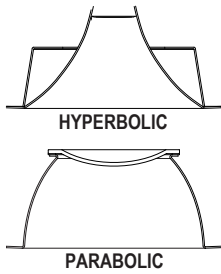
Existing Fixture Frame Opening Diameter	Use This Retrofit
6" through 6-5/8"	LRT6 fixture
6-11/16" through 7-1/2"	LRT6 fixture plus INOR6/712 oversize ring
7-5/8" through 8-1/8"	LRT8 fixture
8-3/16" through 8-7/8"	LRT8 fixture plus INOR8/878 oversize ring
9" through 10"	LRT9 fixture
10" through 11"	LRT10 fixture
11-3/4" through 12-3/4"	LRT12 fixture

**PRODUCT SPECIFICATIONS (cont.)**

**MECHANICAL**

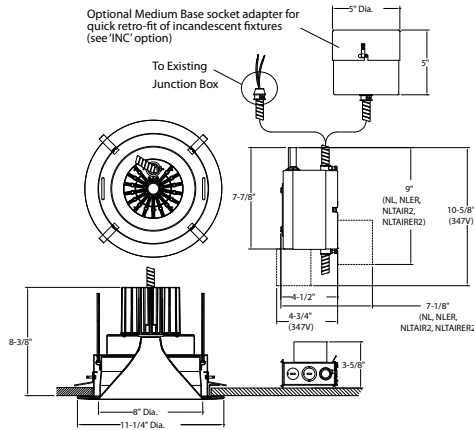
**Retro-fit Housing:** Housing installs from below ceiling • Must be installed in ring frame only • Secured in place by four (4) tension clips • Tension clips accommodate ceilings from 1/2" to 1-1/8" thick • Integral heat sink conducts heat away from LED light engine • Driver is accessible from below the ceiling and can be upgraded to accommodate future technology improvements.

**TRIMS:**



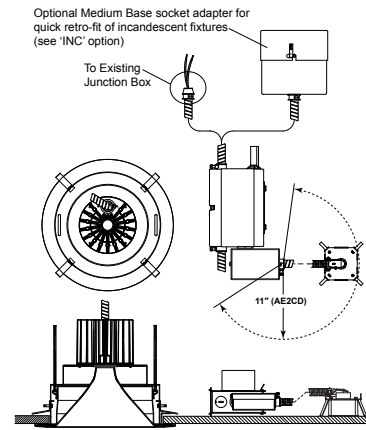
APERTURE: 8" Dia.  
 RETROFITS: fixtures with a rough-in inner diameter of 9" to 10"  
 OVERLAP RING: 11-1/4" Dia.

**PASSIVE COOLING DIMENSIONS: 800 - 900 Lumens**



**Atrius Enabled**

**PASSIVE COOLING DIMENSIONS: 800 - 900 Lumens**



ENERGY STAR® certified		PRODUCT#	FIXTURE CONFIGURATIONS = ENERGY STAR
	LRT9 (WW)LM (XX)K MVOLT G4 (YY)CRI (UU) (ZZ) (CC)	Lumen Package:	WW = 08, 13, 15, 17, 23, 28, 33, 40, 45, 55, 65, 75, 80, 85, 90
		CCT:	XX = 27, 30, 35, 40, 50
		Voltage:	V = MVOLT, 120, 277
		CRI:	YY = 80, 90, 97
		Driver:	UU = FD, EZ1, EZ10, EZB, ZT, GZ1
		Trim Type:	ZZ = HM, HW, P
		Trim Color/Finish:	CC = CS, CSS, CD

**LABELS AND LISTINGS**

Tested to UL1598 and CSA C22.2 250 and listed for damp locations • Spacing requirement for 4000 lumen and above: minimum of 4' between fixture centers, 3" overhead clearance, 2' from fixture center to side wall • RoHS compliant • EMI complies with FCC 47, Part 15, Class A • ENERGY STAR® certified, see table for designated products • I.B.E.W. Union made • ARRA Compliant

**ENGINEERING DATA: 347 Volt available, consult factory**

120																			
VOLTAGE																			
LIGHT ENGINE LUMENS	800	1300	1500	1700	2300	2800	3300	4000	4500	5000	5500	6000	6500	7000	7500	8000	8500	9000	
<b>CCT</b>																			
<b>2700K/3000K/3500K/4000K/5000K</b>																			
INPUT CURRENT	0.063	0.098	0.115	0.132	0.197	0.238	0.280	0.351	0.345	0.381	0.427	0.439	0.483	0.541	0.573	0.607	0.656	0.710	
INPUT WATTAGE	7.53	11.74	13.66	15.82	23.52	28.46	33.62	42.14	41.41	45.54	51.08	52.51	58.11	64.59	68.84	72.83	78.87	85.03	
INPUT FREQUENCY	50/60Hz	50/60Hz	50/60Hz	50/60Hz	50/60Hz	50/60Hz	50/60Hz	50/60Hz	50/60Hz	50/60Hz	50/60Hz	50/60Hz	50/60Hz	50/60Hz	50/60Hz	50/60Hz	50/60Hz	50/60Hz	
THD%	6.42	5.19	4.61	3.86	5.09	5.46	4.43	4.53	6.03	6.03	6.23	6.44	6.54	7.32	7.58	7.75	8.37	8.05	
POWER FACTOR	0.993	0.993	0.992	0.994	0.994	0.995	0.997	0.998	0.996	0.996	0.996	0.996	0.996	0.995	0.995	0.996	0.996	0.996	
<b>277</b>																			
VOLTAGE																			
LIGHT ENGINE LUMENS	800	1300	1500	1700	2300	2800	3300	4000	4500	5000	5500	6000	6500	7000	7500	8000	8500	9000	
<b>CCT</b>																			
<b>2700K/3000K/3500K/4000K/5000K</b>																			
INPUT CURRENT	0.031	0.048	0.056	0.063	0.093	0.108	0.131	0.158	0.161	0.175	0.195	0.202	0.221	0.251	0.265	0.268	0.290	0.310	
INPUT WATTAGE	7.87	11.84	13.81	15.89	23.65	28.19	33.83	41.68	41.74	45.80	51.02	52.35	57.64	64.22	68.40	71.29	77.27	83.16	
INPUT FREQUENCY	50/60Hz	50/60Hz	50/60Hz	50/60Hz	50/60Hz	50/60Hz	50/60Hz	50/60Hz	50/60Hz	50/60Hz	50/60Hz	50/60Hz	50/60Hz	50/60Hz	50/60Hz	50/60Hz	50/60Hz	50/60Hz	
THD%	12.00	11.62	11.31	11.34	9.93	9.04	10.48	8.79	9.15	8.07	9.85	11.12	10.97	13.07	12.83	12.96	13.53	12.56	
POWER FACTOR	0.904	0.885	0.887	0.907	0.918	0.943	0.932	0.953	0.934	0.943	0.944	0.933	0.942	0.921	0.931	0.957	0.962	0.965	

**HYPERBOLIC**

DELIVERED LUMENS/LUMENS PER WATT (35K 80CRI)																			
	800 35K		1300 35K		1500 35K		1700 35K		2300 35K		2800 35K		3300 35K		4000 35K		4500 35K		
TRIM/FINISH	Lumens	LPW	Lumens	LPW	Lumens	LPW	Lumens	LPW	Lumens	LPW	Lumens	LPW	Lumens	LPW	Lumens	LPW	Lumens	LPW	
LRT9 HM CS	749	99.5	1249	106.4	1444	105.7	1644	103.9	2213	94.1	2668	93.7	3105	92.4	3775	89.6	3991	96.4	
LRT9 HM CSS	727	96.6	1213	103.3	1402	102.6	1596	100.9	2149	91.4	2591	91.0	3015	89.7	3666	87.0	3939	95.1	
LRT9 HM CD	611	81.2	1019	86.8	1178	86.2	1341	84.8	1805	76.7	2176	76.5	2533	75.3	3079	73.1	3229	78.0	
LRT9 HW CS	793	105.3	1322	112.6	1528	111.8	1739	109.9	2341	99.5	2823	99.2	3285	97.7	3994	94.8	3946	95.3	
LRT9 HW CSS	770	102.2	1283	109.3	1483	108.6	1689	106.7	2273	96.6	2741	96.3	3190	94.9	3878	92.0	3826	92.4	
LRT9 HW CD	607	80.6	1013	86.3	1170	85.7	1332	84.2	1793	76.3	2162	76.0	2517	74.9	3060	72.6	3181	76.8	
	<b>5000 35K</b>		<b>5500 35K</b>		<b>6000 35K</b>		<b>6500 35K</b>		<b>7000 35K</b>		<b>7500 35K</b>		<b>8000 35K</b>		<b>8500 35K</b>		<b>9000 35K</b>		
TRIM/FINISH	Lumens	LPW	Lumens	LPW	Lumens	LPW	Lumens	LPW	Lumens	LPW	Lumens	LPW	Lumens	LPW	Lumens	LPW	Lumens	LPW	
LRT9 HM CS	4368	95.9	4837	94.7	5023	95.7	5499	94.6	6020	93.2	6302	91.6	6686	91.8	7381	93.6	7771	91.4	
LRT9 HM CSS	4311	94.7	4773	93.5	4957	94.4	5427	93.4	5941	92.0	6220	90.4	6598	90.6	7285	92.4	7669	90.2	
LRT9 HM CD	3534	77.6	3913	76.6	4064	77.4	4449	76.6	4870	75.4	5099	74.1	5409	74.3	5972	75.7	6287	73.9	
LRT9 HW CS	4319	94.8	4783	93.6	4967	94.6	5438	93.6	5952	92.2	6232	90.5	6611	90.8	7298	92.5	7684	90.4	
LRT9 HW CSS	4187	91.9	4636	90.8	4815	91.7	5271	90.7	5770	89.3	6041	87.8	6409	88.0	7075	89.7	7449	87.6	
LRT9 HW CD	3482	76.5	3856	75.5	4004	76.3	4384	75.4	4798	74.3	5024	73.0	5329	73.2	5884	74.6	6194	72.8	

**PARABOLIC**

DELIVERED LUMENS/LUMENS PER WATT (35K 80CRI)																			
	800 35K		1300 35K		1500 35K		1700 35K		2300 35K		2800 35K		3300 35K		4000 35K		4500 35K		
TRIM/FINISH	Lumens	LPW	Lumens	LPW	Lumens	LPW	Lumens	LPW	Lumens	LPW	Lumens	LPW	Lumens	LPW	Lumens	LPW	Lumens	LPW	
LRT9 P CS	643	85.4	1072	91.3	1239	90.7	1410	89.1	1898	80.7	2289	80.4	2664	79.2	3239	76.9	3683	88.9	
LRT9 P CSS	633	84.1	1056	90.0	1220	89.3	1389	87.8	1870	79.5	2255	79.2	2625	78.1	3191	75.7	3592	86.8	
LRT9 P CD	594	78.9	991	84.4	1146	83.9	1304	82.4	1756	74.6	2117	74.4	2463	73.3	2995	71.1	3352	81.0	
	<b>5000 35K</b>		<b>5500 35K</b>		<b>6000 35K</b>		<b>6500 35K</b>		<b>7000 35K</b>		<b>7500 35K</b>		<b>8000 35K</b>		<b>8500 35K</b>		<b>9000 35K</b>		
TRIM/FINISH	Lumens	LPW	Lumens	LPW	Lumens	LPW	Lumens	LPW	Lumens	LPW	Lumens	LPW	Lumens	LPW	Lumens	LPW	Lumens	LPW	
LRT9 P CS	4031	88.5	4464	87.4	4635	88.3	5075	87.3	5555	86.0	5816	84.5	6170	84.7	6812	86.4	7171	84.3	
LRT9 P CSS	3932	86.3	4354	85.2	4521	86.1	4950	85.2	5418	83.9	5673	82.4	6018	82.6	6644	84.2	6994	82.3	
LRT9 P CD	3669	80.6	4063	79.5	4219	80.3	4619	79.5	5056	78.3	5293	76.9	5616	77.1	6200	78.6	6527	76.8	

**BEAM SPREAD**

TRIM	800-4000 LUMEN	4500-9000 LUMEN
LRT9 HM CS	60°	58°
LRT9 HM CSS	60°	60°
LRT9 HM CD	65°	65°
LRT9 HW CS	72°	73°
LRT9 HW CSS	70°	73°
LRT9 HW CD	70°	72°
LRT9 P CS	55°	55°
LRT9 P CSS	55°	55°
LRT9 P CD	55°	55°

**CCT MULTIPLIERS**

CCT	08LM-40LM	45LM-90LM
2700K	0.9	0.92
3000K	0.96	0.97
3500K	1	1
4000K	1.02	1.01
5000K	1.04	1.05

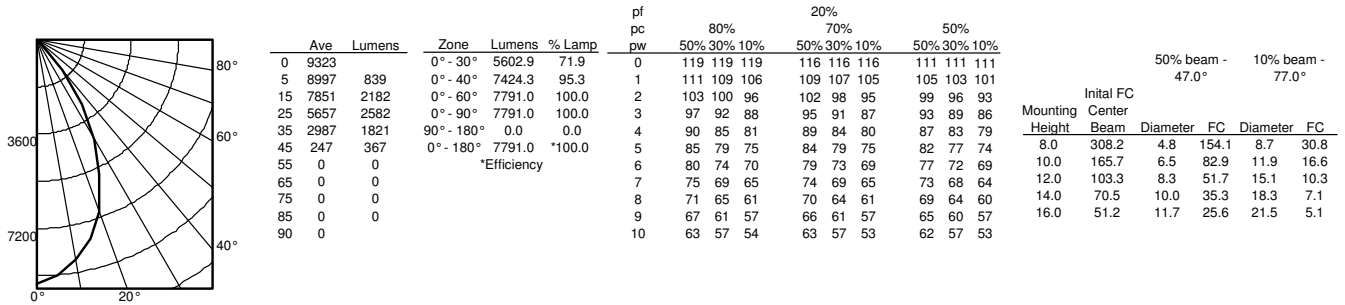
**CRI MULTIPLIERS**

CRI	08LM-40LM	45LM-90LM
80CRI	1	1
90CRI	0.83	0.85
97CRI	0.80	0.77

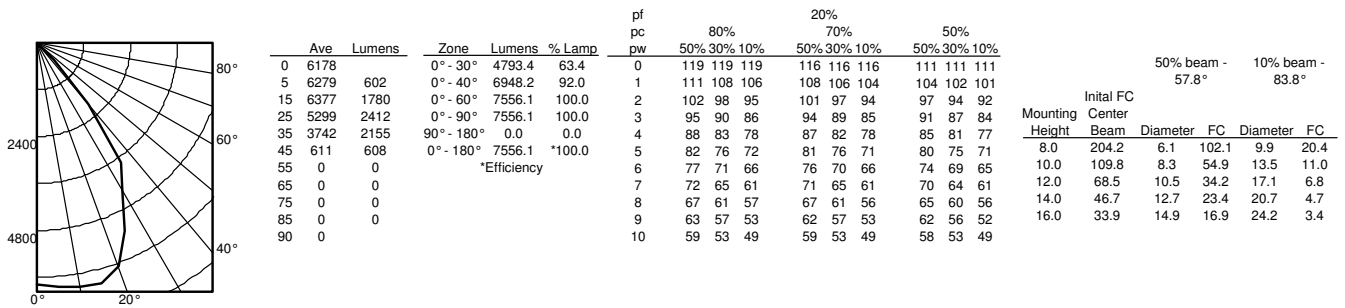
PHOTOMETRICS

Distribution Curve      Distribution Data      Output Data      Coefficient of Utilization      Illuminance Data at 30" Above Floor for a Single Luminaire

LRT9 90LM 35K + LRT9 HM CS, 3500K LEDs, input watts: 85.03, delivered lumens: 7791.0, LM/W = 91.6, Spacing Criteria: 0.9, test no. PR08170292, tested in accordance to IESNA LM-79.



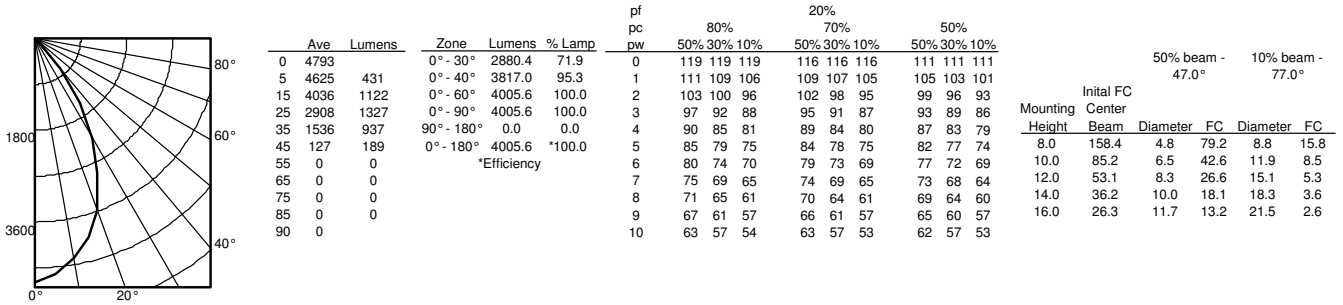
LRT9 90LM 35K + LRT9 HW CS, 3500K LEDs, input watts: 85.03, delivered lumens: 7556.1, LM/W = 88.9, Spacing Criteria: 1.1, test no. PR08170293, tested in accordance to IESNA LM-79.



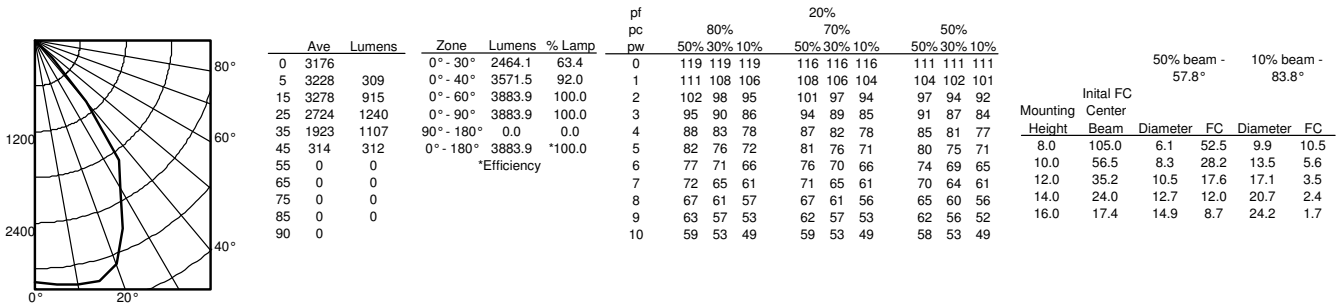
PHOTOMETRICS

Distribution Curve      Distribution Data      Output Data      Coefficient of Utilization      Illuminance Data at 30" Above Floor for a Single Luminaire

LRT9 45LM 35K + LRT9 HM CS, 3500K LEDs, input watts: 41.41, delivered lumens: 4005.6, LM/W = 96.7, Spacing Criteria: 0.9, test no. PR08170282, tested in accordance to IESNA LM-79.



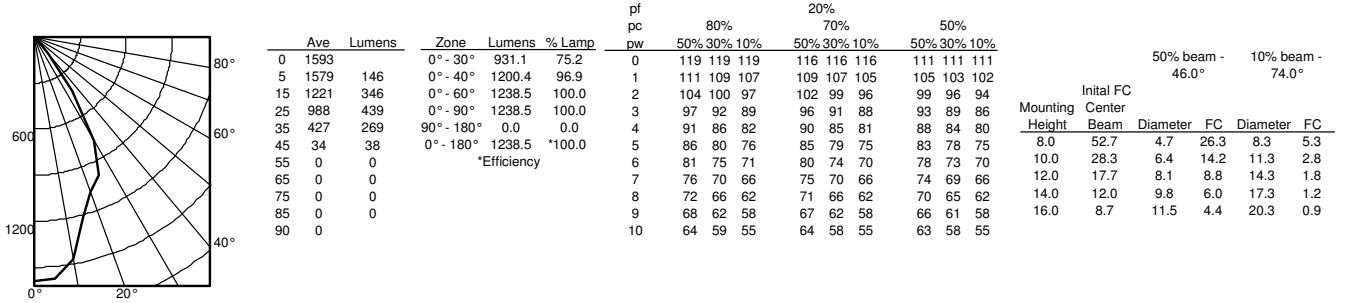
LRT9 45LM 35K + LRT9 HW CS, 3500K LEDs, input watts: 41.41, delivered lumens: 3883.9, LM/W = 93.8, Spacing Criteria: 1.1, test no. PR08170283, tested in accordance to IESNA LM-79.



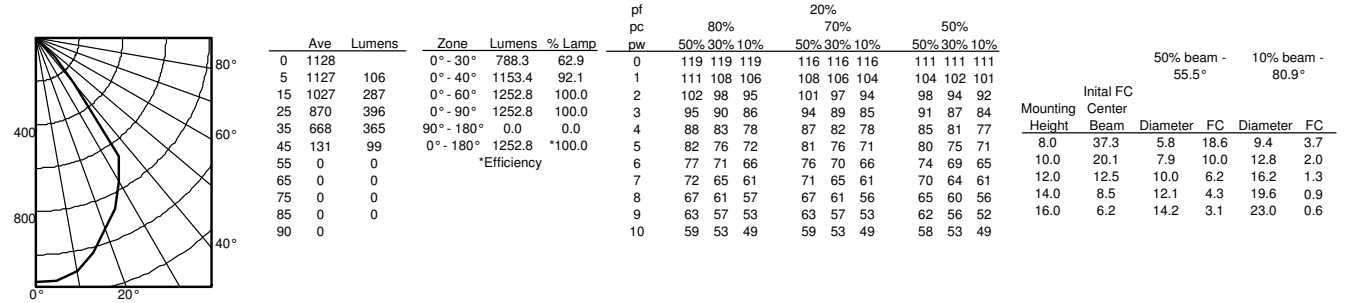
PHOTOMETRICS

Distribution Curve      Distribution Data      Output Data      Coefficient of Utilization      Illuminance Data at 30" Above Floor for a Single Luminaire

LRT9 13LM 35K + LRT9 HM CS, 3500K LEDs, input watts: 14.70, delivered lumens: 1238.5, LM/W = 84.3, Spacing Criteria: 0.9, test no. PR08170285, tested in accordance to IESNA LM-79.



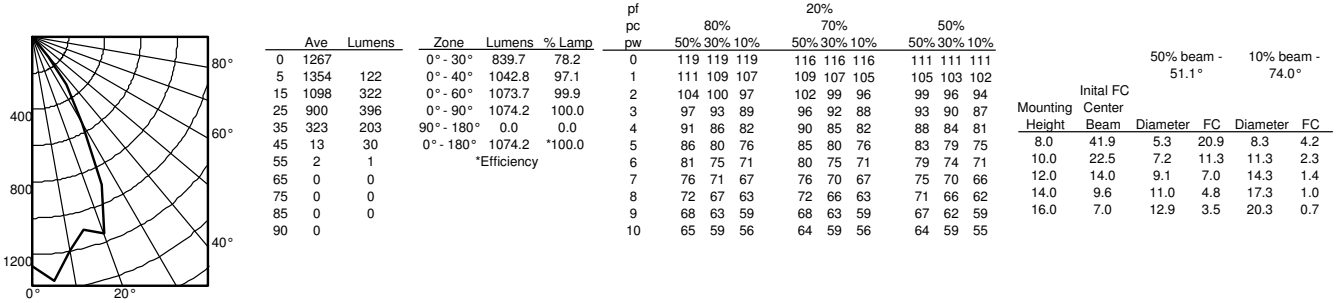
LRT9 13LM 35K + LRT9 HW CS, 3500K LEDs, input watts: 14.70, delivered lumens: 1252.8, LM/W = 85.2, Spacing Criteria: 1.0, test no. PR08170286, tested in accordance to IESNA LM-79.



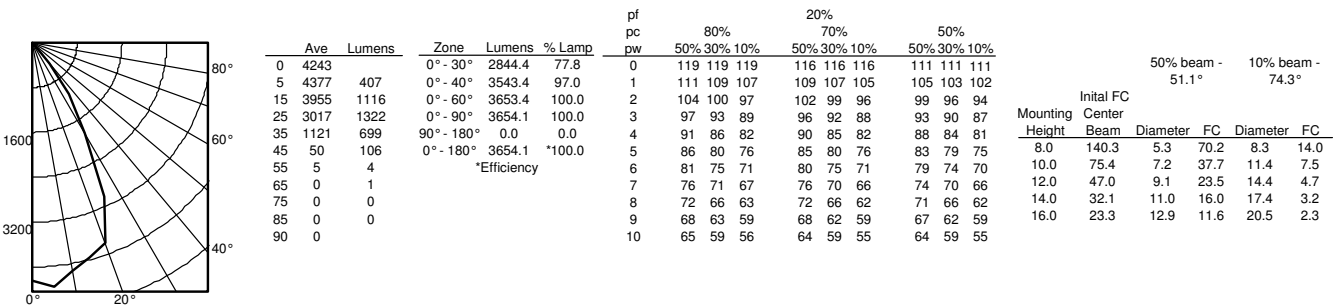
PHOTOMETRICS

Distribution Curve      Distribution Data      Output Data      Coefficient of Utilization      Illuminance Data at 30" Above Floor for a Single Luminaire

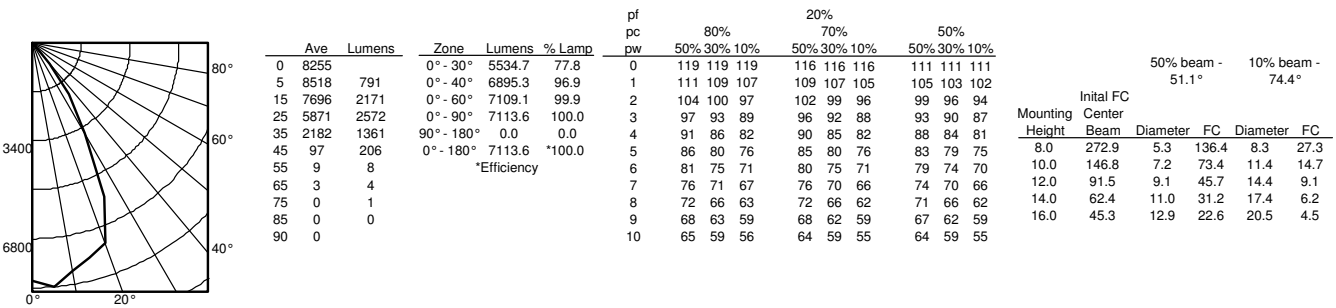
**LRT9 13LM 35K + LRT9 P CS**, 3500K LEDs, input watts: 14.70, delivered lumens: 1074.2, LM/W = 73.1, Spacing Criteria: 1.0, test no. PR08170291, tested in accordance to IESNA LM-79.



**LRT9 45LM 35K + LRT9 P CS**, 3500K LEDs, input watts: 41.41, delivered lumens: 3654.1, LM/W = 88.2, Spacing Criteria: 1.0, test no. PR08170292, tested in accordance to IESNA LM-79.



**LRT9 90LM 35K + LRT9 P CS**, 3500K LEDs, input watts: 85.03, delivered lumens: 7113.6, LM/W = 83.7, Spacing Criteria: 1.0, test no. PR08170293, tested in accordance to IESNA LM-79.





**CONTROLS**

**EXAMPLE**

Group Fixture Control\*

\*Application diagram applies for fixtures with eldoLED drivers only.

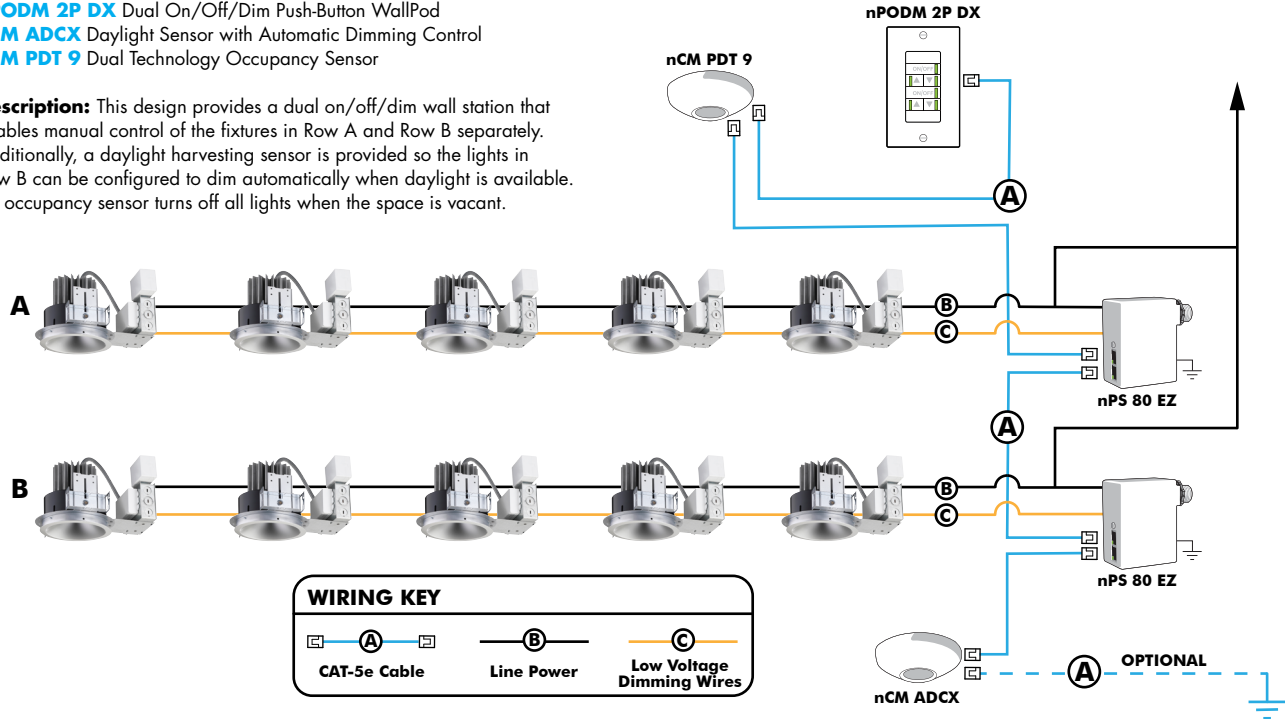
**nPS 80 EZ** Dimming/Control Pack (qty: 2 required)

**nPODM 2P DX** Dual On/Off/Dim Push-Button WallPod

**nCM ADCX** Daylight Sensor with Automatic Dimming Control

**nCM PDT 9** Dual Technology Occupancy Sensor

**Description:** This design provides a dual on/off/dim wall station that enables manual control of the fixtures in Row A and Row B separately. Additionally, a daylight harvesting sensor is provided so the lights in Row B can be configured to dim automatically when daylight is available. An occupancy sensor turns off all lights when the space is vacant.



**Choose Wall Controls**

nLight offers multiple styles of wall controls - each with varying features and user experience.



**Push-Button Wallpod**  
Traditional tactile buttons and LED user feedback



**Graphic Wallpod**  
Full color touch screen provides a sophisticated look and feel

**nLight® Wired Controls Accessories:**

Order as separate catalog number. Visit <a href="http://www.acuitybrands.com/products/controls/nlight">www.acuitybrands.com/products/controls/nlight</a> for complete listing of nLight controls.			
WallPod Stations	Model number	Occupancy sensors	Model Number
On/Off	nPODM (Color)	Small motion 360°, ceiling (PIR/dual Tech)	nCM 9 / nCM PDT 9
On/Off & Raise/Lower	nPOD DX (Color)	Large motion 360°, ceiling (PIR/dual tech)	nCM 10 / nCM PDT 10
Graphic Touchscreen	nPOD GFX (Color)	Wide View (PIR/dual tech)	nWV 16 / nWV PDT 16
<b>Photocell controls</b>	<b>Model Number</b>	Wall Switch w/ Raise/Lower (PIR/dual tech)	nWSX LV DX / nWSX PDT LV DX
Dimming	nCM ADCX	<b>Cat-5 cables (plenum rated)</b>	<b>Model Number</b>
		10', CAT5 10FT	CATS 10FT J1
		15, CAT5 15FT	CATS 15FT J1



**Capable Luminaire**

This item is an A+ capable luminaire, which has been designed and tested to provide consistent color appearance and out-of-the-box control compatibility with simple commissioning.

- All configurations of this luminaire meet the Acuity Brand's specification for chromatic consistency.
- This luminaire is part of an A+ Certified solution for nLight control networks when ordered with drivers marked by a Shaded background\*
- This Luminaire is part of an A+ Certified solution for nLight control networks, providing advanced control functionality at the luminaire level, when selection includes driver and control options marked by a shaded background\*

To learn more about A+, visit [www.acuitybrands.com/aplus](http://www.acuitybrands.com/aplus).

\*See ordering tree for details

**nLight® AIR Control Accessories:**

Order as separate catalog number. Visit [www.acuitybrands.com/products/controls/nlightair](http://www.acuitybrands.com/products/controls/nlightair).

Wall switches	Model number
On/Off single pole	rPODB [color]
On/Off two pole	rPODB 2P [color]
On/Off & raise/lower single pole	rPODB DX [color]
On/Off & raise/lower two pole	rPODB 2P DX [color]
On/Off & raise/lower single pole	rPODBZ DX WH <sup>1</sup>

**Notes**

1 Can only be ordered with the RES7Z zone control sensor version.

**nLight AIR**

nLight AIR is the ideal solution for retrofit or new construction spaces where adding communication is cost prohibitive. The integrated nLight AIR rPP20 Power Pack is part of each Indy L-Series Luminaire. These individually addressable controls offer the ultimate in flexibility during initial setup and for space repurposing.



Simple as 1,2,3

1. Install the nLight® AIR fixtures with embedded smart sensor
2. Install the wireless battery-powered wall switch
3. With CLAIRITY app, pair the fixtures with the wall switch and if desired, customize the sensor settings for the desired outcome

