

Project: \_\_\_\_\_

Avant Garde

Fixture Type: \_\_\_\_\_

## 24W VERTICAL CYLINDER LED

Location: \_\_\_\_\_

Contact/Phone: \_\_\_\_\_



T383L G2

### PRODUCT DESCRIPTION

The classic, simple appearance of the Vertical Cylinder LED fixtures offers a fresh take on a traditional aesthetic. The subtle elegance is carried through the entire design producing an understated charm. The 24W Vertical Cylinder LED fixtures have integral TIR optics which enable uniform spot, narrow flood, flood or wide flood distributions to be achieved. These fixtures have an integral, bayonet-mounted accessory holder that accommodates up to two accessories if desired. The 24W Vertical Cylinder LED can deliver up to 2446 lumens, at efficacies up to 102LPW and having a rated life of 50,000 hours. Available in 2700K, 3000K, 3500K and 4000K color temperatures, the white-light 24W Vertical Cylinder LED is compatible with all Juno line voltage trac and standard adapter accessories.



### PRODUCT SPECIFICATIONS

**Construction** All-metal housing and custom designed concealed heat sink provides outstanding thermal management, yielding 70% average lumen maintenance at 50,000 hours of operation • Passively-cooled design – no moving parts to break or wear-out • Extruded aluminum vertically mounted LED driver housing • Concealed fixture wiring for a clean aesthetic • Fashionable, elegant design complements any decor • Available in white, black and silver painted finishes.

**LED** High performance LED array provides outstanding reliability, performance and color quality/consistency • 2700K, 3000K, 3500K or 4000K white phosphor high performance LEDs • Chromaticity range within a 3-step MacAdam Ellipse • 80 CRI minimum on standard product • Optional high CRI versions offer 90 CRI minimum • Optional SpectralWhite versions are also available which make whites appear naturally brilliant and render colors more richly.

**Driver** Assembled in a side-mount vertical housing to minimize overall fixture footprint • Insulating air gap between driver and LED light engine optimizes thermal operation • Provides quiet operation with or without dimming • 120V fixtures are dimmable using high quality, factory approved reverse phase ELV dimmers - see [T383LG2-DIM](#) • Solid state electronic, Class 2 compliant • Integral overcurrent and short circuit protection • Class B FCC Part 15 rated.

**Optics** Interchangeable computer-designed custom TIR optics available in four factory-configured beam spreads • One TIR optic provided with fixture (as specified in catalog number) • Accessory optics available to enable beam changes in the field • Beam patterns can be altered as desired using a variety of available light control accessories.

**Juno Universal Trac Adapter** Universally compatible with both Trac-Master 1-circuit or 2-circuit trac, Trac-Lites trac, monopoints and special mountings • Also UL Recognized for use on ConTech® LT Series track • Copper alloy contacts provide precise spring action – no arcing and will not take a set • True, positive electrical ground • On/off switch included • Patented embossed polarity arrows on bottom of adapter • Spring-loaded positive latch with embossed polarity arrows secures trac light to trac • Two-position power contact provided for two-circuit application.

**Alternate TEK/HTEK Trac Adapter** Compatible with either Juno TEK or HTEK trac systems • System specific and assembled to trac fixture • Integrally polarized construction to prevent reverse installation – only allows insertion in proper orientation • Rotary circuit selector enables simple switching between circuits • Integral on/off switch enables individual fixtures to be switched for servicing.

**Alternate GTYPE Trac Adapter** Compatible with track systems based on GES type track, including Lithonia LT Commercial Track (not LTS type) • System specific and assembled to trac fixture • Consult factory for additional information.

**Alternate HTYPE Trac Adapter** Compatible with track systems which use a H-type track adapter, including Lithonia LTS Decorative Track (not LT type) • System specific and assembled to trac fixture • Two-position power contact provided for two-circuit application • Consult factory for additional information.

**Alternate LTYPE Trac Adapter** Compatible with track systems which use a L-type track adapter • System specific and assembled to trac fixture • Two-position power contact provided for two-circuit application • Consult factory for additional information.

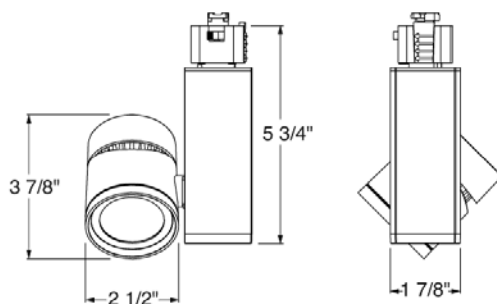
**Accessory Holder** Integral to fixture design • Die cast aluminum construction • Precision bayonet mounting • Accommodates up to two accessories if desired.

**Aiming** 360° horizontal coverage • Greater than 90° vertical aiming capability.

**Labels** UL and C-UL Listed • ENERGY STAR® certified • 80 CRI versions are DesignLights Consortium® Qualified • Union made • Assembled in U.S.A.

**Warranty** 5-year limited warranty. Complete warranty terms located at: [www.acuitybrands.com/CustomerResources/Terms\\_and\\_conditions.aspx](http://www.acuitybrands.com/CustomerResources/Terms_and_conditions.aspx). Specifications subject to change without notice.

### DIMENSIONS



ConTech is a registered trademark of ConTech Lighting.



# TRAC-MASTER®

Avant Garde

## 24W VERTICAL CYLINDER LED

**T383L G2**

### ORDERING INFORMATION

Ordering Example: T383L G2 27K 80CRI PDIM SP BL

Series	Mounting Adapter Type	Generation	Color Temperature	Color Rendering Index
T383L 24W Vertical Cylinder LED	<b>(Blank)</b> Juno Universal 120V Trac Adapter	<b>G2</b> Generation 2	<b>27K</b> 2700K	<b>80CRI</b> 80 CRI
	<b>HTEK<sup>1</sup></b> HTEK 277V Trac Adapter		<b>30K</b> 3000K	<b>90CRI</b> 90 CRI
	<b>TEK</b> TEK 120V Trac Adapter		<b>35K</b> 3500K	<b>SPW<sup>2</sup></b> SpectralWhite
	<b>GTYPE</b> G-Type Trac Adapter		<b>40K</b> 4000K	
	<b>HTYPE</b> H-Type Trac Adapter			
	<b>LTYPE</b> L-Type Trac Adapter			

Dimming Compatibility	Distribution	Finish
<b>OFF<sup>1</sup></b> On/Off (Non-Dimming)	<b>SP</b> Spot	<b>BL</b> Black
<b>PDIM</b> Phase Dimmable	<b>NFL</b> Narrow Flood	<b>SL</b> Silver
	<b>FL</b> Flood	<b>WH</b> White
	<b>WFL</b> Wide Flood	

Accessories					
<b>HCLBL 200</b>	Hexcell Louver - Black	<b>UVF 200</b>	UV Filter	<b>TIR1 SPT</b>	TIR Optic - Spot
<b>SNOOTBL 200</b>	Snoot - Black	<b>DIFF 200</b>	Diffusion Lens	<b>TIR1 NFLD</b>	TIR Optic - Narrow Flood
<b>EYEBROWBL 200</b>	Eyebrow - Black	<b>SOLITE 200</b>	Uniformity Lens	<b>TIR1 FLD</b>	TIR Optic - Flood
<b>CGF 200</b>	Color Glass Filters	<b>PRISM 200</b>	Prismatic Spread Lens	<b>TIR5 WFLD</b>	TIR Optic - Wide Flood
<b>DGF 200</b>	Dichroic Glass Filters	<b>LSPREAD 200</b>	Linear Spread Lens		
<b>DCCF 200<sup>3</sup></b>	Dichroic Color Correction Filters	<b>T40N<sup>4</sup></b>	Monopoint Canopy		

See specification sheet [D1.2.2](#) for details. Other accessories can be found on specification sheet [D1.2.0](#).

Notes:

- HTEK versions available with OFF option only, and OFF option available with HTEK versions only.
- 3000K and 3500K only.
- DCCF 200 HAL2700 corrects 3000K color to approximately 2700K and 4000K color to approximately 3400K.
- Add finish code to complete catalog number (Example: T40N WH).



# TRAC-MASTER®

Avant Garde

## 24W VERTICAL CYLINDER LED

### T383L G2

#### PERFORMANCE DATA<sup>1</sup>

Catalog Number	Input Voltage	Input Watts (Typical)	Lumens	Efficacy (LPW)	Rated Life (Hours)
T383L G2 27K 80CRI PDIM SP	120V	24.1	2238	93	50,000
T383L G2 27K 80CRI PDIM NFL	120V	24.1	2228	92	50,000
T383L G2 27K 80CRI PDIM FL	120V	24.1	2271	94	50,000
T383L G2 27K 80CRI PDIM WFL	120V	24.1	2128	88	50,000
T383L G2 27K 90CRI PDIM SP	120V	24.1	1933	80	50,000
T383L G2 27K 90CRI PDIM NFL	120V	24.1	1924	80	50,000
T383L G2 27K 90CRI PDIM FL	120V	24.1	1961	81	50,000
T383L G2 27K 90CRI PDIM WFL	120V	24.1	1838	76	50,000
T383L G2 30K 80CRI PDIM SP	120V	24.1	2238	93	50,000
T383L G2 30K 80CRI PDIM NFL	120V	24.1	2228	92	50,000
T383L G2 30K 80CRI PDIM FL	120V	24.1	2271	94	50,000
T383L G2 30K 80CRI PDIM WFL	120V	24.1	2128	88	50,000
T383L G2 30K 90CRI PDIM SP	120V	24.1	1974	82	50,000
T383L G2 30K 90CRI PDIM NFL	120V	24.1	1965	82	50,000
T383L G2 30K 90CRI PDIM FL	120V	24.1	2003	83	50,000
T383L G2 30K 90CRI PDIM WFL	120V	24.1	1877	78	50,000
T383L G2 30K SPW PDIM SP	120V	24.1	2065	86	50,000
T383L G2 30K SPW PDIM NFL	120V	24.1	2056	85	50,000
T383L G2 30K SPW PDIM FL	120V	24.1	2096	87	50,000
T383L G2 30K SPW PDIM WFL	120V	24.1	1964	81	50,000
T383L G2 35K 80CRI PDIM SP	120V	24.1	2370	98	50,000
T383L G2 35K 80CRI PDIM NFL	120V	24.1	2360	98	50,000
T383L G2 35K 80CRI PDIM FL	120V	24.1	2405	100	50,000
T383L G2 35K 80CRI PDIM WFL	120V	24.1	2254	94	50,000
T383L G2 35K 90CRI PDIM SP	120V	24.1	2096	87	50,000
T383L G2 35K 90CRI PDIM NFL	120V	24.1	2086	87	50,000
T383L G2 35K 90CRI PDIM FL	120V	24.1	2126	88	50,000
T383L G2 35K 90CRI PDIM WFL	120V	24.1	1993	83	50,000
T383L G2 35K SPW PDIM SP	120V	24.1	2116	88	50,000
T383L G2 35K SPW PDIM NFL	120V	24.1	2106	87	50,000
T383L G2 35K SPW PDIM FL	120V	24.1	2147	89	50,000
T383L G2 35K SPW PDIM WFL	120V	24.1	2012	83	50,000
T383L G2 40K 80CRI PDIM SP	120V	24.1	2411	100	50,000
T383L G2 40K 80CRI PDIM NFL	120V	24.1	2400	100	50,000
T383L G2 40K 80CRI PDIM FL	120V	24.1	2446	102	50,000
T383L G2 40K 80CRI PDIM WFL	120V	24.1	2292	95	50,000
T383L G2 40K 90CRI PDIM SP	120V	24.1	2136	89	50,000
T383L G2 40K 90CRI PDIM NFL	120V	24.1	2127	88	50,000
T383L G2 40K 90CRI PDIM FL	120V	24.1	2168	90	50,000
T383L G2 40K 90CRI PDIM WFL	120V	24.1	2031	84	50,000

Notes:

<sup>1</sup> Performance data, including Rated Life, is based on measurements of an individual fixture operating in a 25°C ambient.

#### ELECTRICAL DATA

Input Voltage	120V
Input Current (max.)	0.22A
Power Factor	>0.90
T.H.D.	<20%

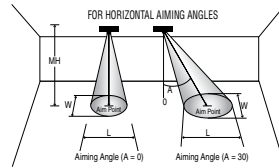
**24W VERTICAL CYLINDER LED**

**T383L G2**

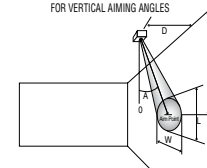
**PHOTOMETRICS**

CBCP • Centerbeam candlepower  
 FC • Footcandles at beam center (aim point)

In vertical aiming applications, aim point (X) is determined by dividing distance from the wall (D) by the tangent of the desired aim angle (A) (0.5774 for 30°, 1.0 for 45°, 1.732 for 60°).



Horizontal Aiming Angles



Vertical Aiming Angles



Fixture	Beam Type	Beam Spread	Rated Life	CBCP	0°		30°			30°				45°				60°							
					MH	FC	L	W	FC	L	W	D	FC	X	L	W	FC	X	L	W	D	FC	X	L	W
Vertical Cylinder 24W LED, 30K, 80CRI Spot	SP	16°	50000	21541	8	337	2.2	2.2	219	3.0	2.6	4	168	6.9	4.7	2.2	476	4.0	2.3	1.6	8	219	4.6	3.0	2.6
					10	215	2.8	2.8	140	3.7	3.2	5	108	8.7	5.9	2.8	305	5.0	2.8	2.0	10	140	5.8	3.7	3.2
					12	150	3.4	3.4	97	4.5	3.9	6	75	10.4	7.1	3.4	212	6.0	3.4	2.4	12	97	6.9	4.5	3.9
					14	110	3.9	3.9	71	5.2	4.5	7	55	12.1	8.3	3.9	155	7.0	4.0	2.8	14	71	8.1	5.2	4.5
					16	84	4.5	4.5	55	6.0	5.2	8	42	13.9	9.5	4.5	119	8.0	4.6	3.2	16	55	9.2	6.0	5.2
Vertical Cylinder 24W LED, 30K, 80CRI Narrow Flood	NFL	27°	50000	9269	6	257	2.8	2.8	167	3.9	3.3	2	290	3.5	4.5	1.9	819	2.0	2.0	1.3	6	167	3.5	3.9	3.3
					8	145	3.8	3.8	94	5.1	4.4	3	129	5.2	6.8	2.8	364	3.0	3.0	2.0	7	123	4.0	4.5	3.8
					10	93	4.7	4.7	60	6.4	5.5	4	72	6.9	9.1	3.8	205	4.0	4.0	2.7	8	94	4.6	5.1	4.4
					12	64	5.7	5.7	42	7.7	6.6	5	46	8.7	11.4	4.7	131	5.0	5.0	3.3	9	74	5.2	5.8	4.9
					14	47	6.6	6.6	31	9.0	7.6	6	32	10.4	13.6	5.7	91	6.0	6.0	4.0	10	60	5.8	6.4	5.5
Vertical Cylinder 24W LED, 30K, 80CRI Flood	FL	38°	50000	5223	4	326	2.8	2.8	212	3.8	3.2	2	163	3.5	8.6	2.8	462	2.0	3.1	1.9	3	377	1.7	2.9	2.4
					5	209	3.4	3.4	136	4.8	4.0	3	73	5.2	12.8	4.1	205	3.0	4.7	2.9	4	212	2.3	3.8	3.2
					6	145	4.1	4.1	94	5.7	4.8	4	41	6.9	17.1	5.5	115	4.0	6.3	3.9	5	136	2.9	4.8	4.0
					7	107	4.8	4.8	69	6.7	5.6	5	26	8.7	21.4	6.9	74	5.0	7.8	4.9	6	94	3.5	5.7	4.8
					8	82	5.5	5.5	53	7.6	6.4	6	18	10.4	**	8.3	51	6.0	9.4	5.8	7	69	4.0	6.7	5.6
Vertical Cylinder 24W LED, 30K, 80CRI Wide Flood	WFL	53°	50000	2365	2	591	2.0	2.0	384	2.9	2.3	1.0	296	1.7	14.9	2.0	836	1.0	2.6	1.4	2	384	1.2	2.9	2.3
					3	263	3.0	3.0	171	4.3	3.4	1.5	131	2.6	22.4	3.0	372	1.5	3.9	2.1	3	171	1.7	4.3	3.4
					4	148	4.0	4.0	96	5.7	4.6	2.0	74	3.5	**	4.0	209	2.0	5.2	2.8	4	96	2.3	5.7	4.6
					5	95	4.9	4.9	61	7.2	5.7	2.5	47	4.3	**	4.9	134	2.5	6.6	3.5	5	61	2.9	7.2	5.7
					6	66	5.9	5.9	43	8.6	6.9	3.0	33	5.2	**	5.9	93	3.0	7.9	4.2	6	43	3.5	8.6	6.9

For 27K 80CRI fixtures, use 1.00 multiplier; For 27K 90CRI fixtures, use 0.86 multiplier.  
 For 30K 90CRI fixtures, use 0.88 multiplier; For 30K SPW fixtures, use 0.92 multiplier.  
 For 35K 80CRI fixtures, use 1.06 multiplier; For 35K 90CRI fixtures, use 0.94 multiplier; For 35K SPW fixtures, use 0.95 multiplier.  
 For 40K 80CRI fixtures, use 1.08 multiplier; For 40K 90CRI fixtures, use 0.95 multiplier

\*\*Due to steep aiming angle, length of beam extends beyond 25'.