

Catalog Number
Notes
Type

FEATURES & SPECIFICATIONS

INTENDED USE — The Lithonia Lighting JEBL LED High bay is an affordable LED solution for users who prefer a luminaire with the look and feel of a round form factor. The JEBL delivers comfortable and uniform lighting from mounting heights up to 30ft. **Certain airborne contaminants can diminish the integrity of acrylic and/or polycarbonate.** [Click here for Acrylic and Polycarbonate Environmental Compatibility table for suitable uses.](#) **Certain airborne contaminants may adversely affect the functioning of LEDs and other electronic components, depending on various factors such as concentrations of the contaminants, ventilation, and temperature at the end-user location.** [Click here for a list of substances that may not be suitable for interaction with LEDs and other electronic components.](#)

CONSTRUCTION — JEBL features a white die-cast aluminum housing. Powder coat corrosion resistant finish provides 500 hours salt fog rating. Optional clear polycarbonate or diffuse aluminum reflectors available separately. Corrosion resistant external hardware standard.

OPTICS — A .16" thick clear tempered glass lens protects LEDs. Placement, spacing, and aperture of LEDs provides a 120 degree spread of light. Optional frosted glass available.

ELECTRICAL — High-efficiency LEDs. 0-10V dimming standard for a dimming range of 100% to 10%. Input voltage is MVOLT (120-277V) and HVOLT (347-480V). Suitable for 50/60Hz.

Luminaire Surge Protection Level: Designed to withstand up to 6kV/3kA per ANSI C82.77-5-2015.

L90 > 54,000 hours.

CONTROLS — Dimming and non-dimming sensors, along with nLightAIR, may be factory installed utilizing the wiring box accessory that is attached to the top of the fixture.

INSTALLATION — 1/4" NPT eye bolt with 1/2" thick loop and 6' cord with dimming lead provided for easy installation. 3/4" mounting adapter available for stem (by others) or hook mounting. Optional surface mount bracket allows flexibility by adjusting in 15 degree increments for a total range of 150 degrees. Also capable of accepting 3/4" stem (by other) or hook.

LISTINGS — UL/C-UL listed to US and Canadian Safety Standards. Wet location listed. For use under covered ceilings. See ambient temperature chart on page 3. IP65 rated. NSF Splash Zone 2 and Non-Food Zone rated.

DesignLights Consortium® (DLC) Premium qualified product. Not all versions of this product may be DLC Premium qualified. Please check the DLC Qualified Products List at www.designlights.org/QPL to confirm which versions are qualified.

WARRANTY — 5-year limited warranty. This is the only warranty provided and no other statements in this specification sheet create any warranty of any kind. All other express and implied warranties are disclaimed. Complete warranty terms located at: www.acuitybrands.com/support/warranty/terms-and-conditions

Note: Actual performance may differ as a result of end-user environment and application. All values are design or typical values, measured under laboratory conditions at 25 °C. Specifications subject to change without notice.

LED High Bay

JEBL



A+ Capable Luminaire

This item is an A+ capable luminaire, which has been designed and tested to provide consistent color appearance and out-of-the-box control compatibility with simple commissioning.

- All configurations of this luminaire meet the Acuity Brands' specification for chromatic consistency
- This luminaire is part of an A+ Certified solution for nLight® control networks marked by a [shaded background*](#)

To learn more about A+, visit www.acuitybrands.com/aplus.

*See ordering tree for details

LED High Bay



A+ Capable options indicated by this color background.



Looking for Contractor Select readily available configurations? Click here to visit Contractor Select™ spec sheet or go to www.contractorselect.com

ORDERING INFORMATION

Lead times will vary depending on options selected. Consult with your sales representative.

Example: JEBL 18000LM GL MVOLT 40K 80CRI DWHXD

Series	Lumens ‡	Lens	Voltage	Color Temperature	Color Rendering Index	Mounting	
JEBL	12000LM 12,000 lumens ‡	GL Glass lens	MVOLT (120-277V) ‡	40K 4000 K	80CRI 80 CRI	(blank) Standard eyebolt	
	18000LM 18,000 lumens ‡	FRGL Frosted Glass lens	HVOLT (347-480V)	50K 5000 K		PM Pendant mount, 3/4 adapter installed	
	24000LM 24,000 lumens ‡	PFL Polycarbonate Frosted Lens	120 120V				
	30000LM 30,000 lumens ‡		208 208V				
			240 240V				
			277 277V				
			347 347V				
	480 480V						

Options		Controls: ‡	Finish
WGX	Wire guard installed	Non-Dimming Sensors:	DWHXD Super durable, white
SMB	Surface mount bracket ‡		DBLXD Super durable, black ‡
WBF	Wiring box required for sensor and cord attachment, factory installed	SBOR10 360° motion sensor integral, low bay 8-15 ft., on/off, IP66 rated. SBOR spec sheet	
SCF120	Safety cable 120"	SBOR10 P 360° motion sensor integral with photocell & occupancy sensor, low bay 8-15 ft., on/off, IP66 rated. SBOR spec sheet	
SCF240	Safety cable 240"	SBOR6 360° motion sensor integral, high bay 15-30 ft., on/off, IP66 rated. SBOR spec sheet	
HKM	Hook, male, damp location ‡	SBOR6 P 360° motion sensor integral with photocell & occupancy sensor, high bay 15-30 ft., on/off, IP66 rated. SBOR spec sheet	
HKF	Hook, female, damp location ‡	Dimming Sensors:	
LPM	Loop, male, damp location ‡	SBOR10 D 3V 360° motion sensor integral, low bay 8-15 ft., on/off with second time-out period, goes to a dimmed state before turning off max./min. Dim setting, IP66 rated. SBOR spec sheet	
LPF	Loop, female, damp location ‡	SBOR6 D 3V Motion sensor integral, high bay 15-30 ft., on/off with second time-out period, goes to a dimmed state before turning off max./min. Dim setting, IP66 rated. SBOR spec sheet	
Cordsets:		nLight wireless: ‡	
HC3PC3RWT	Wet location, hook, 3' cord, plug and receptacle ‡	NLTAIR2 RSBOR6 nLight AIR Generation 2 enabled 360° high mount motion sensor RSBOR spec sheet	
OCS	RELOC® OnePass® selectable cable 6' installed (dry location labeled) ‡	NLTAIR2 RSBOR10 nLight AIR Generation 2 enabled 360° low mount motion sensor RSBOR spec sheet	
OCU	RELOC® OnePass® unselectable cable 6' installed (must specify tap position) (dry location labeled) ‡		
CS88	Brad Harrison 3P male straight 600V molded plug, 6' type ST00W yellow PVC cord, 16/3, must specify voltage, wet location ‡		
CS88L12	Brad Harrison 3P male straight 600V molded plug, 12' type ST00W yellow PVC cord, 16/3, must specify voltage, wet location ‡		
CS89L12	12' white cord, 16/3, no plug, wet location ‡		
CS6G16STOW5D	6' white cord, 16/5, no plug, includes low voltage dimming wires, wet location ‡		
C6PW	6' white cord with NEMA twist lock plug, wet location ‡		
C12PW	12' white cord with NEMA twist lock plug, wet location ‡		
L/DIM	Less dimming cord ‡		

NOTE: ‡ indicates option chosen has ordering restrictions. Please reference ordering restrictions chart below. Options are sorted alphabetically.

Accessories and Notes next page.

LED High Bay

Accessories: Order as separate catalog number.	
JEBLPLR1 M4	Polycarbonate clear reflector for 12L and 18L
JEBLDALR1 M4	Diffuse Aluminum reflector for 12L and 18L
JEBLPLR2 M4	Polycarbonate clear reflector for 24L and 30L
JEBLDALR2 M4	Diffuse Aluminum reflector for 24L and 30L
JEBLMTG ADAPTER M12	3/4" mounting adapter
JEBLSMB1 M6	Surface mount bracket for 12L and 18L
JEBLSMB2 M6	Surface mount bracket for 24L and 30L
JEBLSMB1DBLXD	Black surface mount bracket for 12L and 18L
JEBLSMB2DBLXD	Black surface mount bracket for 24L and 30L
JCBLSC120	Safety cable 120"
JCBLSC240	Safety cable 240"
JEBLWG1 M6	Wire guard for use with 12000LM or 18000LM fixtures
JEBLWG2 M6	Wire guard for use with 24000LM or 30000LM fixtures

‡ Option Value Ordering Restrictions	
Option value	Restriction
12000LM	Not available with MVOLT, 120, 208, 240, or 277 volt options when ordered with DWHXD. Not available with HVOLT, 347, or 480V options when ordered with DBLXD.
18000LM	Not available with MVOLT, 120, 208, 240, or 277 volt options when ordered with DWHXD option.
24000LM	Not available with MVOLT, 120, 208, 240, or 277 volt options when ordered with DWHXD option.
30000LM	Not available with HVOLT, 347 or 480 when ordered with DBLXD. Not available with MVOLT, 120, 208, 240, or 277 when ordered with DWHXD.
C12PW	Not available with MVOLT or HVOLT. Requires WBF option. If black cord is required remove "W". EX: C12P
C6PW	Not available with MVOLT or HVOLT. If black cord is required remove "W". EX: C6P. Black cord ships standard when DBLXD is ordered.
Controls	Require WBF option.
CS6616STOWSD	Not available with SBOR10 D 3V, SBOR6 D 3V, SBOR10 P, SBOR6 P, or any NLTAIR@ sensor. Requires WBF option.
CS88	Requires WBF option.
CS88L12	Requires WBF option.
CS89L12	Requires WBF option.
DBLXD	Not available with 12000LM, or 30000LM when ordered with HVOLT, 347, or 480.
HC3PC3RWT	PM option required. Not available with MVOLT or HVOLT. Requires WBF option.
HKF	PM option required.
HKM	PM option required.
L/DIM	Select this option when original dimming cord is not required. If this option is selected there will be no access to dimming leads. When L/DIM is ordered without an option requiring the wiring box, it will resort to a damp location listing.
LPF	PM option required.
LPM	PM option required.
Lumens	See ambient temperature chart on page 3 for compatible ambient rating. 12000LM, 18000LM, and 30000LM not available with DBLXD.
MVOLT	Not available with 18000LM option.
nLight wireless	Normal luminaires (non-emergency) can be used as a normal power sensing device for nearby nLight AIR devices and luminaires with EM emergency options.
OCS	Not available with MVOLT or HVOLT. Requires WBF option. Available also in 10', 15', and 20'. EX: OCS15
OCU	Not available with MVOLT or HVOLT. Requires WBF option.
SMB	Bracket finish will match finish of fixture.

LED High Bay

ACCESSORIES



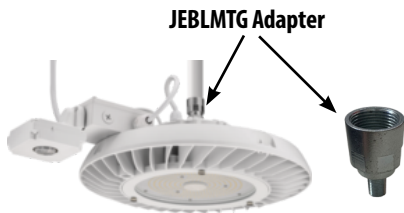
JEBLDALR



JEBL with DALR



Hook with 3/4" adapter



JEBLMTG Adapter

OPERATIONAL DATA

Lumen package	Voltage	Reflector	CCT	CRI	Nominal lumens			Wattage	
					Lens type				
					GL	FRGL	PFL		
12000LM	MVOLT	No reflector	40K	80CRI	13630	11703	11581	95	
			50K		13790	11840	11717		
		DALR	40K		12565	11047	10770		
	50K		12713		11176	10896			
	HVOLT	No reflector	40K		13285	11407	11289		92
			50K		13381	11489	11370		
DALR		40K	12248		10767	10497			
18000LM	MVOLT	No reflector	40K		19303	16574	16402	135	
			50K		19529	16765	16594		
		DALR	40K		17796	15644	15252		
	50K		18005		15828	15431			
	HVOLT	No reflector	40K		19679	16897	16722		136
			50K	19821	17018	16842			
DALR		40K	18143	15949	15549				
24000LM	MVOLT	No reflector	40K	24181	20762	20547	174		
			50K	24464	21006	20788			
		DALR	40K	22294	19598	19107			
	50K		22555	19828	19331				
	HVOLT	No reflector	40K	26558	22803	22566		181	
			50K	26749	22967	22729			
DALR		40K	24485	21524	20985				
30000LM	MVOLT	No reflector	40K	30263	25984	25715	215		
			50K	30618	26289	26016			
		DALR	40K	27901	24527	23912			
	50K		28228	24815	24193				
	HVOLT	No reflector	40K	31421	26979	26699		218	
			50K	31647	27173	26891			
DALR		40K	28969	25466	24828				
			50K	29178	25649	25006			

AMBIENT TEMPERATURE RATING

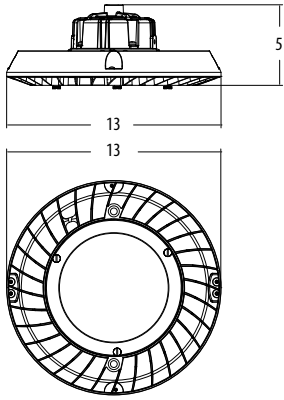
Lumen package	GL/FRGL	PFL	Minimum Ambient Temp
12000LM	55	50	-40
18000LM	55	35	-40
24000LM	50	40	-40
30000LM	45	35	-40

* All temperatures are listed in Celsius.

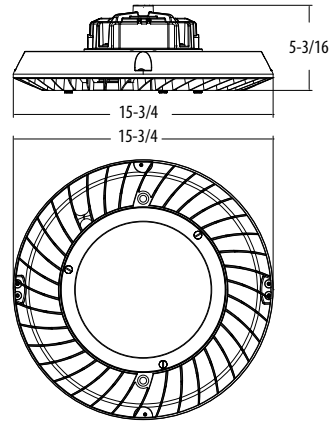
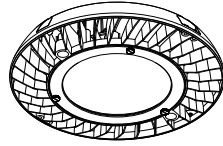
LED High Bay

DIMENSIONS

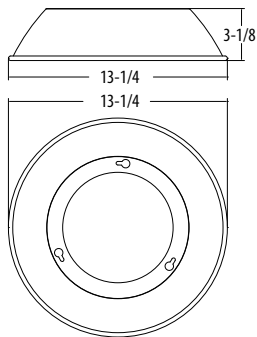
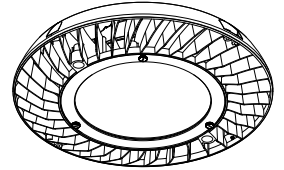
All dimensions are in inches unless otherwise indicated.



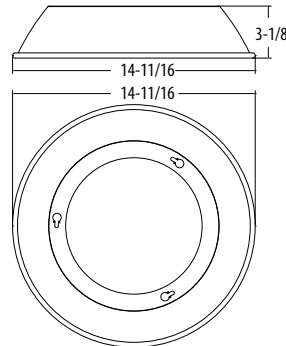
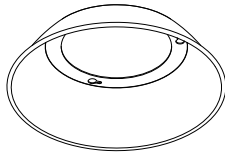
JEBL 12L/18L



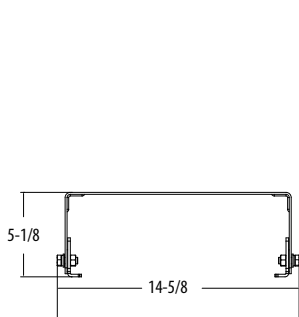
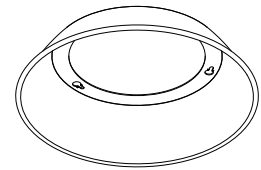
JEBL 24L/30L



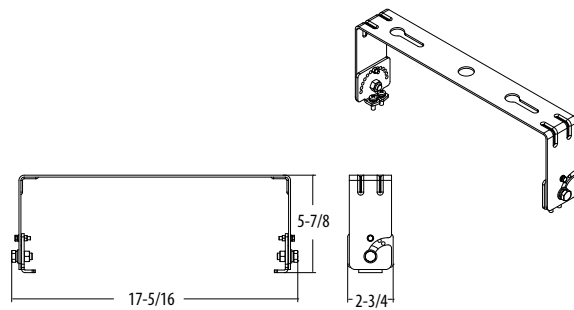
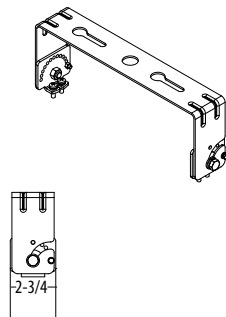
JEBLDARL1



JEBLDARL2



JEBLSMB1



JEBLSMB2