



# ACP1LED Series American Compact LED Floodlight

## PRODUCT OVERVIEW



### Applications:

- |                  |                  |
|------------------|------------------|
| Auto dealerships | Shopping centers |
| Schools          | Parking lots     |
| Churches         | Substations      |
| Industrial sites | Building facades |

### Features:

#### Mechanical

Low copper content die cast aluminum A360 alloy castings. Die cast aluminum housing has integral heat sink fins to optimize thermal management through conductive and convective cooling. Bolted or stainless steel latch option disengages top electrical cover for easy access to LED drivers, surge module, and terminal block. Vibration rated to 3G applications per ANSI C136.31-2001 and rated IP66 per IEC60068-2-3.

IP66 rated luminaire per IEC60068-2-3. Rigorous five-stage pre-treating and painting process yields a finish that achieves a scribe creepage of 8 after 5,000 hours exposure to salt fog chamber per ASTM B117. External fasteners shall be stainless steel. Yoke shall be painted steel or galvanized. Knuckle shall be adjustable to fit 2-3/8 inch to 2-7/8 tenon.

#### Electrical

LED light engine is rated for > 100,000 hours at 25C, L70. Electronic driver has an expected life of 100,000 hours at a 25C ambient.

Robust surge protection: 20kV/10kA surge protection per ANSI C136.2 is the default, with 10kV/5kA surge optional.

Driver power factor is 90% minimum. Driver meets maximum total harmonic distortion (THD) of 20% and is ROHS compliant.

XVOLT - Electrical option provides protection against dropped neutral in 277V input as derived from 480V Wye. XVOLT also provides greater immunity from six common power quality issues.

Programmable electronic driver with 0-10V dimming control leads is standard.

#### Optical

Six multi-die LED's combined with highly specular reflectors provide superior field to beam ratios, uniformity, and spacing.

NEMA optical pattern choice of flood (5x5), wide flood (6x6), and wide flood rectangle (6x5). The luminaire is available with 3000K, 4000K, and 5000K CCT with minimum CRI of 70.

Optional shielding available to control light trespass and uplight. Optical enclosure shall be glass lens.

#### Controls

3 pin and 7 pin rotatable NEMA photocontrol receptacles available.

Optional premium solid state locking-style photocontrol – DSS (10 year rated life).

Optional extreme long life solid state locking –style photocontrol – DLL (20 year rated life).

Optional onboard adjustable output module allows the light output and input wattage to be modified to meet site specific requirements.

Optional networked nLightAIR occupancy and motion sensor

#### Warranty and Standards

Five year warranty. This is the only warranty provided and no other statements in this specification sheet create any warranty of any kind. All other express and implied warranties are disclaimed. Full warranty terms located at: [www.acuitybrands.com/support/warranty/terms-and-conditions](http://www.acuitybrands.com/support/warranty/terms-and-conditions)

Suitable for ambient temperature -40C to 40C.

UL/CUL Listed.

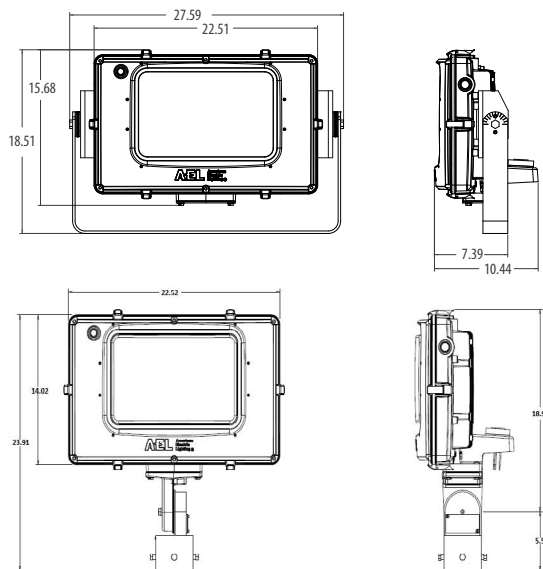
DesignLights Consortium® (DLC) Premium qualified product. Not all versions of this product may be DLC Premium qualified. Please check the DLC Qualified Products List at [www.designlights.org/QPL](http://www.designlights.org/QPL) to confirm which versions are qualified.

**GOVERNMENT PROCUREMENT** – BAA – Buy America(n) Act: Product with the BAA option qualifies as a domestic end product under the Buy American Act as implemented in the FAR and DFARS. Product with the BAA option also qualifies as manufactured in the United States under DOT Buy America regulations.

BABA – Build America Buy America: Product with the BAA option also qualifies as produced in the United States under the definitions of the Build America, Buy America Act.

Please refer to [www.acuitybrands.com/buy-american](http://www.acuitybrands.com/buy-american) for additional information.

### DIMENSIONS



#### Effective Projected Area (EPA)

The EPA for the LED Flood™ Series ACP1LED

Knuckle mounting Max EPA 2.9 sq. ft.,

Approx. 40 lbs.

Yoke mounting is Max EPA 3.1 sq. ft.,

Approx. 47 lbs.

# ACP1LED Series

## American Compact LED Floodlight

### ORDERING INFORMATION

Series	LED Performance Package	Voltage	Optics	Color Temperature	Mounting Methods
<b>ACP1LED</b>	<b>P10</b> 38,000 Lumens <b>P20</b> 43,000 Lumens <b>P30</b> 47,500 Lumens <b>P40</b> 52,300 Lumens <b>P50</b> 57,000 Lumens	<b>MVOLT</b> Multi-volt (120V - 277V) <b>347</b> 347V <b>480</b> 480V <b>XVOLT<sup>2</sup></b> 277V-480V	<b>55</b> Flood (5x5) <b>66</b> Wide Flood (6x6) <b>65</b> Wide Flood Rectangular (6x5)	<b>Blank</b> 4000K CCT <b>3K</b> 3000K CCT <b>5K</b> 5000K CCT	<b>TM</b> Tenon Slipfitter - knuckle (cord exits bottom slipfitter) <b>KO</b> Tenon Slipfitter - knuckle (cord exits via knock-out) <b>YK</b> Yoke Painted Steel <b>YG</b> Yoke Galvanized Steel

Color	Surge Protection	Controls	Cord Length	Cord Type
<b>Blank</b> Gray paint <b>BK</b> Black paint <b>BZ</b> Bronze paint <b>GI</b> Graphite paint <b>WH</b> White paint	<b>Blank</b> Default: 20kV/10kA Extreme Surge w/ Indicator Light (fail off) <b>MP</b> 10kV/5kA MOV (fail on)	<b>Blank</b> 3 pin rotatable NEMA receptacle <b>P7</b> 7 pin rotatable NEMA receptacle <b>NR</b> No PER receptacle <b>PCLL</b> Solid State Long Life Photocontrol <b>PCSS</b> Solid State Photocontrol <b>HRSBOR<sup>3</sup></b> nLight Air Occ. and daylight sensor (15-30 ft) <b>LRSBOR<sup>3</sup></b> nLight Air Occ. and daylight sensor (8-15 ft) <b>SH</b> Shorting Cap <b>AO</b> Field Adjustable Output <sup>1</sup> <b>DL</b> DALI Driver - Consult Factory	<b>04</b> 4 ft cord length <b>05</b> 5 ft cord length <b>06</b> 6 ft cord length <b>08</b> 8 ft cord length <b>10</b> 10 ft cord length	<b>23</b> 12 gage, 3 conductor <b>43</b> 14 gage, 3 conductor <b>63</b> 16 gage, 3 conductor

Options	Miscellaneous	Accessories (Shipped Separately)
<b>TL</b> Tool-less entry with latches <b>NL</b> Nema Label <b>XL</b> No terminal block cover and not certified	<b>BAA</b> Buy America(n) Act and/or Build America Buy America Qualified	<b>ACP1LEDFV BKSDP</b> Full Visor - Black Paint <b>ACP1LEDFV BZSDP</b> Full Visor - Bronze Paint <b>ACP1LEDFV GISDP</b> Full Visor - Graphite Paint <b>ACP1LEDFV GYSDP</b> Full Visor - Gray Paint <b>ACP1LEDFV WHSDP</b> Full Visor - White Paint <b>ACP1LEDUBV BKSDP</b> Upper/Bottom Visor - Black Paint <b>ACP1LEDUBV BZSDP</b> Upper/Bottom Visor - Bronze Paint <b>ACP1LEDUBV GISDP</b> Upper/Bottom Visor - Graphite Paint <b>ACP1LEDUBV GYSDP</b> Upper/Bottom Visor - Gray Paint <b>ACP1LEDUBV WHSDP</b> Upper/Bottom Visor - White Paint <b>ACP1LEDVG</b> Vandal Guard <b>ACP1LEDWG</b> Wire Guard

#### Notes:

1. AO not available with 20kV surge option.
2. XVOLT option only available with P10, P20, P30 and P40 performance packages
3. Only available with TM mount option



AEL Headquarters, One Lithonia Way, Conyers Georgia 30012  
 www.americanelectriclighting.com Phone: 1-866-HOLOPHANE  
 Email: TechSupport-Lighting@AcuityBrands.com

© 2013-2024 Acuity Brands Lighting, Inc. All Rights Reserved. FL-ACP1LED 04/16/24

**Warranty** Five-year limited warranty. This is the only warranty provided and no other statements in this specification sheet create any warranty of any kind. All other express and implied warranties are disclaimed. Complete warranty terms located at:

[www.acuitybrands.com/support/warranty/terms-and-conditions](http://www.acuitybrands.com/support/warranty/terms-and-conditions)

**Note:** Actual performance may differ as a result of end-user environment and application. All values are design or typical values, measured under laboratory conditions at 25 °C. Specifications subject to change without notice.

**Please contact your sales representative for the latest product information.**

# ACP1LED Series

## American Compact LED Floodlight

### OPTIONS MATRIX

ACP1LED		LED Packages					Voltage				Options											Controls				
		P10	P20	P3	P40	P50	MVOLT	347	480	XVOLT	P7	P3	NR	PCLL	PCSS	HRSBOR	LRSBOR	10K	20K	SH	AO	DL	TL	NL	XL	
LED Packages	P10						Y	Y	Y	Y	Y	Y	Y	Y	Y	Y	Y	Y	Y	Y	Y	Y	Y	Y	Y	Y
	P20						Y	Y	Y	Y	Y	Y	Y	Y	Y	Y	Y	Y	Y	Y	Y	Y	Y	Y	Y	Y
	P30						Y	Y	Y	Y	Y	Y	Y	Y	Y	Y	Y	Y	Y	Y	Y	Y	Y	Y	Y	Y
	P40						Y	Y	Y	Y	Y	Y	Y	Y	Y	Y	Y	Y	Y	Y	Y	Y	Y	Y	Y	Y
	P50						Y	N	N	N	Y	Y	Y	Y	Y	Y	Y	Y	Y	Y	Y	Y	Y	Y	Y	Y
Voltage	MVOLT	Y	Y	Y	Y	Y					Y	Y	Y	Y	Y	Y	Y	Y	Y	Y	Y	Y	Y	Y	Y	Y
	347	Y	Y	Y	Y	N					Y	Y	Y	Y	N	Y	Y	Y	Y	Y	Y	Y	Y	Y	Y	Y
	480	Y	Y	Y	Y	N					Y	Y	Y	Y	N	Y	Y	Y	Y	Y	Y	Y	Y	Y	Y	Y
	XVOLT	Y	Y	Y	Y	N					Y	Y	Y	N	N	Y	Y	Y	Y	Y	Y	Y	Y	Y	Y	Y
Options	P7	Y	Y	Y	Y	Y	Y	Y	Y	Y	N	N	N	Y	Y	N	N	Y	Y	Y	Y	Y	Y	Y	Y	Y
	P3	Y	Y	Y	Y	Y	Y	Y	Y	Y	N	N	N	Y	Y	N	N	Y	Y	Y	Y	Y	Y	Y	Y	Y
	NR	Y	Y	Y	Y	Y	Y	Y	Y	Y	Y	Y	N	N	N	Y	Y	Y	Y	N	Y	Y	Y	Y	Y	Y
	PCLL	Y	Y	Y	Y	Y	Y	Y	Y	N	Y	Y	N	N	N	N	N	Y	Y	N	Y	Y	Y	Y	Y	Y
	PCSS	Y	Y	Y	Y	Y	Y	N	N	N	Y	Y	N	N	N	N	N	Y	Y	N	Y	Y	Y	Y	Y	Y
	HRSBOR	Y	Y	Y	Y	Y	Y	Y	Y	Y	N	N	Y	N	N	N	N	Y	Y	N	N	N	Y	Y	Y	Y
	LRSBOR	Y	Y	Y	Y	Y	Y	Y	Y	Y	N	N	Y	N	N	N					N	N	N	Y	Y	Y
	10K	Y	Y	Y	Y	Y	Y	Y	Y	Y	Y	Y	Y	Y	Y	Y					Y	Y	Y	Y	Y	Y
	20K	Y	Y	Y	Y	Y	Y	Y	Y	Y	Y	Y	Y	Y	Y	Y					Y	N	Y	Y	Y	Y
	SH	Y	Y	Y	Y	Y	Y	Y	Y	Y	Y	Y	N	N	N	N	N	Y	Y	N	Y	Y	Y	Y	Y	Y
	AO	Y	Y	Y	Y	Y	Y	Y	Y	Y	Y	Y	Y	Y	Y	N	N	Y	N	Y	N	N	Y	Y	Y	Y
	DL	Y	Y	Y	Y	Y	Y	Y	Y	Y	Y	Y	Y	Y	Y	N	N	Y	Y	Y	N	N	Y	Y	Y	Y
Controls	TL	Y	Y	Y	Y	Y	Y	Y	Y	Y	Y	Y	Y	Y	Y	Y	Y	Y	Y	Y	Y	Y	Y	Y	Y	Y
	NL	Y	Y	Y	Y	Y	Y	Y	Y	Y	Y	Y	Y	Y	Y	Y	Y	Y	Y	Y	Y	Y	Y	Y	Y	Y
	XL	Y	Y	Y	Y	Y	Y	Y	Y	Y	Y	Y	Y	Y	Y	Y	Y	Y	Y	Y	Y	Y	Y	Y	Y	Y

# ACP1LED Series

## American Compact LED Floodlight

### PERFORMANCE PACKAGE

ACP1LED	Distribution	Input Watts	3000K		4000K		5000K		LDD @ 25°C		
			Lumens	LPW	Lumens	LPW	Lumens	LPW	50k hours	75k hours	100k hours
P10	55	265	38,652	146	39,367	149	40,082	151	0.92	0.89	0.85
	65		39,111	148	39,834	151	40,557	153			
	66		37,954	143	38,656	146	39,357	149			
P20	55	305	43,766	144	44,576	146	45,385	149	0.92	0.89	0.85
	65		44,285	145	45,104	148	45,923	151			
	66		42,975	141	43,770	144	44,564	146			
P30	55	349	49,139	141	50,047	143	50,956	146	0.92	0.89	0.85
	65		49,722	142	50,641	145	51,560	148			
	66		48,250	138	49,143	141	50,035	143			
P40	55	388	53,474	138	54,463	140	55,451	143	0.91	0.87	0.84
	65		54,108	140	55,109	142	56,109	145			
	66		52,507	135	53,487	138	54,449	140			
P50	55	418	56,480	135	57,524	138	58,568	140	0.90	0.85	0.81
	65		57,150	137	58,206	139	59,263	142			
	66		55,489	133	56,484	135	57,510	138			

Performance Package	Watts	Current (A)					
		120V	208V	240V	277V	347V	480V
P10	265	2.20	1.27	1.10	0.97	0.77	0.56
P20	305	2.55	1.46	1.27	1.11	0.89	0.64
P30	349	2.92	1.67	1.45	1.27	1.02	0.74
P40	388	3.24	1.85	1.60	1.39	1.13	0.81
P50	418	3.48	2.01	1.74	1.51	1.2	0.87

Ambient Temperature Factor				
0°C	15°C	25°C	35°C	40°C
1.03	1.01	1.00	0.99	0.98



AEL Headquarters, One Lithonia Way, Conyers Georgia 30012  
 www.americanelectricalighting.com Phone: 1-866-HOLOPHANE  
 Email: TechSupport-Lighting@AcuityBrands.com

© 2013-2024 Acuity Brands Lighting, Inc. All Rights Reserved. FL-ACP1LED 04/16/24

**Warranty** Five-year limited warranty. This is the only warranty provided and no other statements in this specification sheet create any warranty of any kind. All other express and implied warranties are disclaimed. Complete warranty terms located at: [www.acuitybrands.com/support/warranty/terms-and-conditions](http://www.acuitybrands.com/support/warranty/terms-and-conditions)

**Note:** Actual performance may differ as a result of end-user environment and application. All values are design or typical values, measured under laboratory conditions at 25 °C. Specifications subject to change without notice.

*Please contact your sales representative for the latest product information.*