

Catalog Number	
Notes	Type

Petrolux® LED Low Bay

Wet Location for Demanding Environments

PXLW



Description

- For demanding environments with lower mounting heights where dust, dirt and moisture are a concern.
- Certain airborne contaminants may adversely affect the functioning of LEDs and other electronic components, depending on various factors such as concentrations of the contaminants, ventilation, and temperature at the end-user location. [Click here for a list of substances that may not be suitable for interaction with LEDs and other electronic components.](#)

Optics

- Prismatic borosilicate glass directs light where needed and reduces harsh glare.
- Silicone rubber lens available that will not brown, chip, shatter or break.
- Four distributions (Type 5 low angle, Type 5 high angle, type 4 forward throw and Type 1 long and narrow) available to maximize versatility.
- Highly engineered LED system ensures superior uniformity and maximizes spacing.
- Lens assembly secured by stainless steel tamper-resistant Torx® T-20 screws.

Electrical

- Luminaire Surge Protection Level: Designed to withstand up to 10kV/5kA per ANSI C82.77-5-2015.
- 0-10V dimming driver is standard.
- Optional robust driver solution designed to assist with power quality and drop neutral conditions. XVOLT option supports 277-480V; 6kV surge rated.
- 3000K, 4000K or 5000K CCT available.
- Fault-tolerant LED light engine continues to provide light even in the failure of one LED.
- Field Adjustable Output (AO) module - Onboard device that adjusts the light output and input wattage to meet site specific requirements. The AO module is preset at the factory to position number 8 (see chart).

Mechanical

- Super durable TGIC thermoset powder coat finish provides 1500 hours salt fog rating. CR (corrosion resistant) optional finish is a five-stage pre-treating and painting process that yields over 5,000 hours salt rating per ASTM B117.
- Robust cast aluminum housing with low copper content (0.6% CU content) withstands harsh or hostile environments.
- Universal mount high profile top cover (ceiling/pendant). Optional universal arm available for wall/stanchion. Other mountings include, low profile hook/pendant mount and high profile yoke mount.
- Precise number of fins dissipate maximum amount of heat. -40°F (-40°C) to 149°F (65°C) ambient rating.
- Universal mount can be wall, stanchion, and angle mounted to accommodate a variety of arms.

Listings

- UL 1598 Listed for use in wet locations
- IP65 and IP66 rated. IP67 rated except when used with wall, stanchion, sensor, sub-station or hooks.
- Luminaire is 1G vibration rated.
- DesignLights Consortium® (DLC) Premium qualified product. Not all versions of this product may be DLC Premium qualified. Please check the DLC Qualified Products List at www.designlights.org/QPL to confirm which versions are qualified.
- Marine rated — see Marine/NEMA 4X chart for option compatibility
- NEMA 4X rated — see Marine/NEMA 4X chart for option compatibility
- Certified to meet NSF Splash Zone 2 (specify FPA option)
- IK rated (see chart on page 6)

Warranty

5-year limited warranty. Complete warranty terms located at: www.acuitybrands.com/support/customer-support/terms-and-conditions.

Note: Actual performance may differ as a result of end-user environment and application. All values are design or typical values, measured under laboratory conditions at 25 °C.



Typical Applications

- Petroleum refineries
- Water and wastewater treatment facilities
- Ethanol facilities
- Parking Garages
- Chemical plants
- Power plants
- Textile mills

Dimensions: Inches (millimeters) unless otherwise noted.

Universal Mount
 Diameter: 13.11 (332.99)
 Height: 11.43 (290.32)
 Weight: Approx. 19 lbs (8.62 kg)
 Pallet quantity: 12 fixtures
 EPA: 0.787 sq. ft. wind loading

A+ Capable Luminaire

This item is an A+ capable luminaire, which has been designed and tested to provide consistent color appearance and out-of-the-box control compatibility with simple commissioning.

- All configurations of this luminaire meet the Acuity Brands' specification for chromatic consistency
- This luminaire is part of an A+ Certified solution for nLight® or XPoint™ Wireless control networks marked by a **shaded background***

To learn more about A+, visit www.acuitybrands.com/aplus.

*See ordering tree for details

A+ Capable options indicated by this color background.

ORDERING INFORMATION

Example: PXLW 3000LM MDUS MVOLT 30K 80CRI UNM DNxD

Series	Lumens	Optics	Voltage	Color Temperature	Color Rendering Index	Mounting Options		
PXLW	3000LM	3,000 lumens ¹	FWD	Forward throw, glass lens	MVOLT (120V-277V)	30K 3000K CCT	70CRI 70CRI	UNM Universal Mount, high profile top cap PM Pendant Mount, low profile top cap YK90 Yoke Mount 0-90 Degree, high profile top cap
	5000LM	5,000 lumens ¹	MDO	Medium glass lens with minimal uplight	120 120V	40K 4000K CCT	80CRI 80CRI	
	8000LM	8,000 lumens	MDUS	Medium glass lens with uplight	208 208V	50K 5000K CCT	90CRI 90CRI	
			MDUSGLF	Medium frosted glass lens with uplight	240 240V			
	10000LM	10,000 lumens	ND	Long and narrow, glass lens	277 277V			
			SO	Medium, silicone optic, with minimal uplight	HVOLT (347V/480V)			
			SOND	Long and narrow, silicone optic	347 347V			
			WD	Wide, glass lens	480 480V			
					XVOLT (277-480V)			
					277X 277V ²			
				347X 347V ²				
				480X 480V ²				

Options	Finish
<p>Damp Cordsets:³</p> <p>CDP-L5-15-X X-ft. 120V cord and twist lock plug, 3 conductor, white (120 only)</p> <p>CDP-L6-15-X X-ft. 208V/240V cord and twist lock plug, 3 conductor, white (208 or 240 only)</p> <p>CDP-L7-15-X X-ft. 277V cord and twist lock plug, 3 conductor, white (277 or 277X only)</p> <p>CDP-L24-20-X X-ft. 347V cord and twist lock plug, 3 conductor, white (347 or 347X only)</p> <p>CDP-L8-20-X X-ft. 480V cord and twist lock plug, 3 conductor, white (480 or 480X only)</p> <p>CDP-5-15-X X-ft.,120V cord and straight blade plug,3 conductor, white (120 only)</p> <p>Wet Cordsets:⁴</p> <p>CDPW-L5-15-X X-ft. 120V cord and twist lock plug, 3 conductor, wet location, white (120 only)</p> <p>CDPW-L6-15-X X-ft. 208V/240V cord and twist lock plug, 3 conductor, wet location, white (208 or 240 only)</p> <p>CDPW-L7-15-X X-ft. 277V cord and twist lock plug, 3 conductor, wet location, white (277 or 277X only)</p> <p>CDPW-L24-20-X X-ft. 347V cord and twist lock plug, 3 conductor, wet location, white (347 or 347X only)</p> <p>Wet Cords:⁵</p> <p>CDW-X X-ft. cord, 3 conductor, wet location, white</p> <p>CDW-4C-X X-ft. cord, 4 Conductor, wet location, black⁶</p> <p>CDW-5-W-X X-ft. cord, 5 conductor, wet location, white⁷</p> <p>CDW-5-K-X X-ft. cord, 5 conductor, wet location, black⁷</p> <p>Hooks:⁸</p> <p>HKMW 3/4" wet listed hook male, PF-291</p> <p>Other Options:</p> <p>WGX Wire guard, factory installed</p> <p>EMD Ingress/Egress Marker Decal</p> <p>NSG Non silicone gasket (complete fixture)⁹</p> <p>DL Damp location</p> <p>UPS Uplight Shield¹⁰</p> <p>CR Corrosion resistant paint</p> <p>FPA Food processing area¹¹</p> <p>AO Field Adjustable Output, Standard setting is 8¹²</p> <p>E10WMCP EM Self-diagnostics battery pack, 10W, Certified in the Ca Title 20 MAEDBS¹³</p>	<p>Controls:</p> <p>Non-Dimming Sensors:¹⁴</p> <p>MSI10NWL 360° motion sensor integral, low bay 15-25 ft., on/off, IP66 rated</p> <p>MSI10NWL DSCNWL 360° motion sensor integral with photocell & occupancy sensor, low bay 15-25 ft., on/off, IP66 rated</p> <p>Dimming Sensors:¹⁴</p> <p>MSI102L3VWL 360° motion sensor integral, low bay 15-25 ft., on/off with second time-out period, goes to a dimmed state before turning off max./min. Dim setting, IP66 rated</p> <p>Xpoint Wireless:¹⁵</p> <p>MSI10XAWL DSCXAWL XPoint wireless enabled with photocell & occupancy sensor, low bay 15-25 ft, IP66 rated</p> <p>XAD XPoint™ Wireless 0-10V relay, internal, lower max ambient</p> <p>XAD924 XPoint™ Wireless 0-10V relay, internal, lower max ambient, meets UL924</p> <p>Photocontrols:</p> <p>BP Button style photo control, 120V-277V/347V¹⁶</p> <p>PER NEMA twist lock receptacle¹⁷</p> <p>PCS DTS, solid state photo control¹⁸</p> <p>P34 DTL, solid state photo control¹⁹</p> <p>P48 DTL, solid state photo control²⁰</p> <p>PSC Shorting cap²¹</p> <p>nLight Air:²²</p> <p>NLTAIR2 RSBG6 nLight AIR Generation 2 enabled 360° high mount(15-30ft) motion sensor</p> <p>NLTAIR2 RSBG10 nLight AIR Generation 2 enabled 360° low mount(8-15ft) motion sensor</p> <p>NLTAIR2 RIO nLight AIR (wireless) gen 2 control device (dimming & switching)</p> <p>Bluetooth Dimming Sensors:²³</p> <p>SBGR10BTP 360° Low Mount Occ Sensor, pre-wired; Bluetooth®</p> <p>SBGR10BTP HL 360° Low Mount Occ Sensor w/HL Default, pre-wired; Bluetooth®</p> <p>SBGR10BTP ADC 360° Low Mount Occ Sensor w/ADC Default, pre-wired; Bluetooth®</p> <p>SBGR10BTP ANL 360° Low Mount Occ Sensor w/ANL Default, pre-wired; Bluetooth®</p>

For Accessories and Footnotes, see next page.

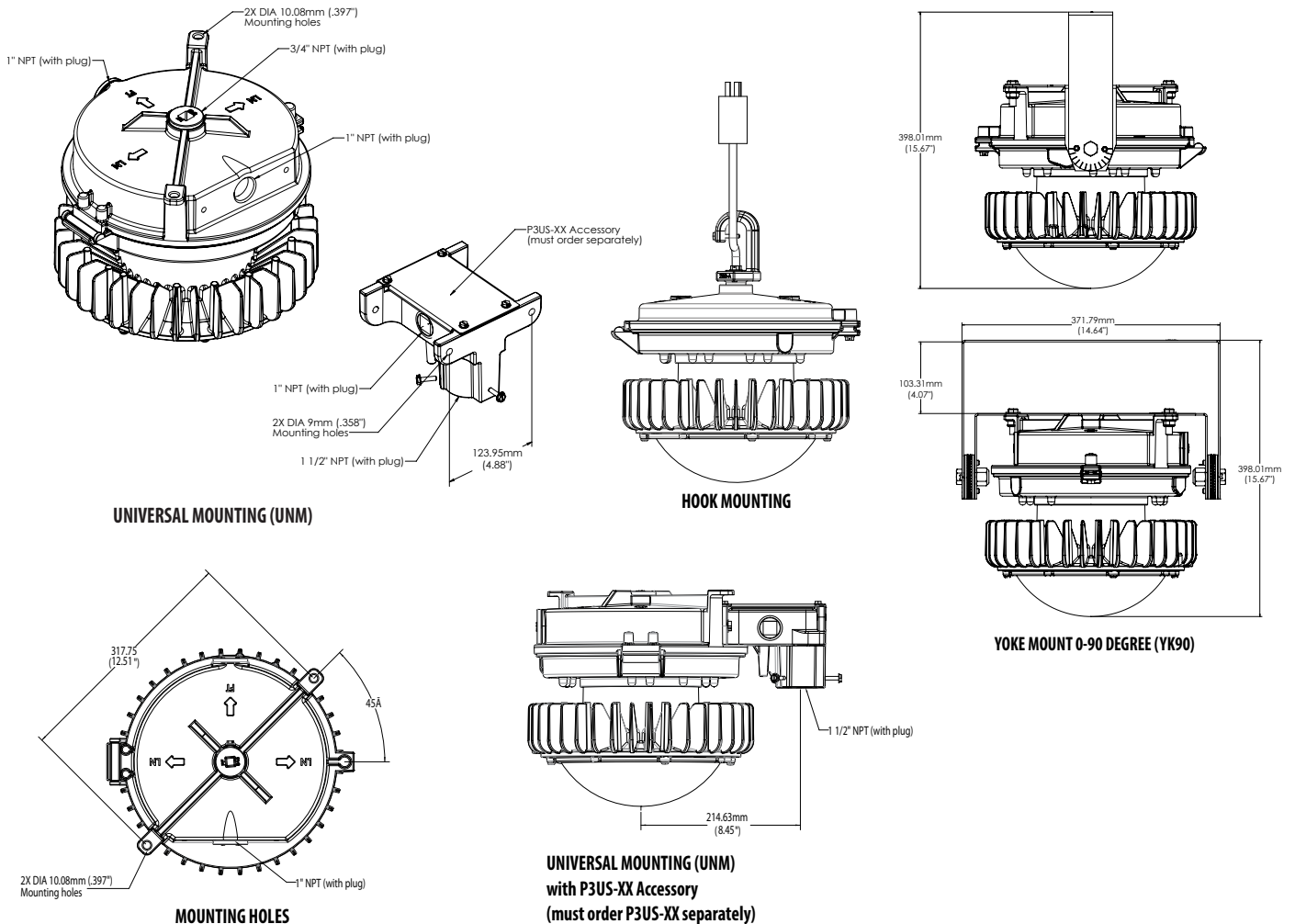
Accessories: Order as separate catalog number.

072331 XX	Substation Arm for Single Luminaire, XX denotes color ²⁴
072331CTL XX	Substation Arm for Single Luminaire with controls, XX denotes color ²⁴
072332 XX	Substation Arm for Tandem Mount Luminaire, XX denotes color (fixtures controlled separately in the field) ²⁴
072332CTL XX	Substation Arm for Tandem Mount Luminaire with controls, XX denotes color ²⁴
WGPXLW	Wire guard, zinc coated
SCK36	36" safety chain kit
SCK72	72" safety chain kit
SCK120	120" safety chain kit
UPSPXLWXX	Uplight shield, XX denotes color
P3US-35-XX	35 degree universal mount arm, XX denotes color ²⁵
P3US-XX	Universal Mount Arm, XX denotes color ²⁵
MI-3502	Thread Sealant
PCPXLWXX	Pendant Cone, XX denotes color ²⁶
PTASTA	Stanchion Mount Bracket ²⁷

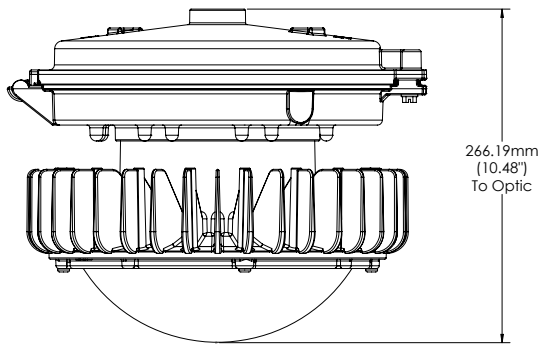
Notes

- 1 Not available with XVOLT, 277X, 347X or 480X.
- 2 Utilizes XVOLT driver.
- 3 Voltage must be specified. Requires DL and HKMW options. X denotes length, 3, 6 and 10ft available.
- 4 Voltage must be specified. Requires HKMW option. X denotes length, 3, 6 and 10ft available.
- 5 X denotes length, 3, 6 and 10ft available.
- 6 Requires E10WMCP battery option.
- 7 Not available with dimming sensors or battery pack.
- 8 Requires Cord or Cordset. Not available with YK90 option.
- 9 Not available with S0 or SOND options.
- 10 When ordered with MS10NWL, MS10NWL DSCNWL, MS10XAWL DSCXAWL, SBGR10BTP, SBGR10BTP HL, SBGR10BTP ADC, or SBGR10BTP ANL, may cause sensor viewing angle cutoff.
- 11 Available with S0, SOND, UNM, PM options only. Not available with AO, SBGR10BTP, SBGR10BTPHL, SBGR10BTPADC, SBGR10BTPANL, MS10NWL, MS102L3VWL, MS10NWL DSCNWL, MS10XAWL DSCXAWL or E10WMCP options.
- 12 Not available with SBGR10BTP, SBGR10BTPHL, SBGR10BTPADC, SBGR10BTPANL, MS102L3VWL, MS10NWL DSCNWL, MS10XAWL DSCXAWL, XAD, XAD924, E10WMCP, CDW-5-K-X or CDW-5-K-X options.
- 13 Utilizes PS1055MCP battery. Not available with PM, XVOLT, 347X, 480X, Xpoint wireless or Bluetooth dimming sensors. Available with CD-4C-X, but not required.
- 14 Not available with XVOLT. When ordered with YK90 and mounted between 35-90 degrees DL option is required.
- 15 Not available with HVOLT, XVOLT, 347X or 480X.
- 16 Not available with MVOLT, HVOLT, 480V, XVOLT, 480X, or YK90.
- 17 Not available with YK90.
- 18 Requires PER option. Available with 120, 208, 240, 277 or 277X options only.
- 19 Requires PER option. Available with 347, 347X options only.
- 20 Requires PER option. Available with 480, 480X options only.
- 21 Requires PER option.
- 22 Not available with HVOLT at 3000LM or 5000LM. Not available with XVOLT, 277X, 347X, 480X, AO, DIM, XAD or SBGR sensor in any lumen package.
- 23 Not available with XVOLT, 277X, 347X or 480X options. Only available in HVOLT with 8000LM or 10000LM lumen packages.
- 24 Not available with YK90, cord or cordset.
- 25 Not available with PM, YK90, cord or cordset.
- 26 Available with PM option only. Requires minimum 8" customer provided stem.
- 27 Available with UNM or PM only. Threaded for 1.50-11.5 NPT (DN40) or slip-fit for 1.50-11.5 NPT (DN40) conduit.

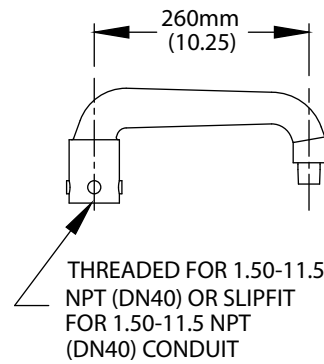
DIMENSIONAL DATA



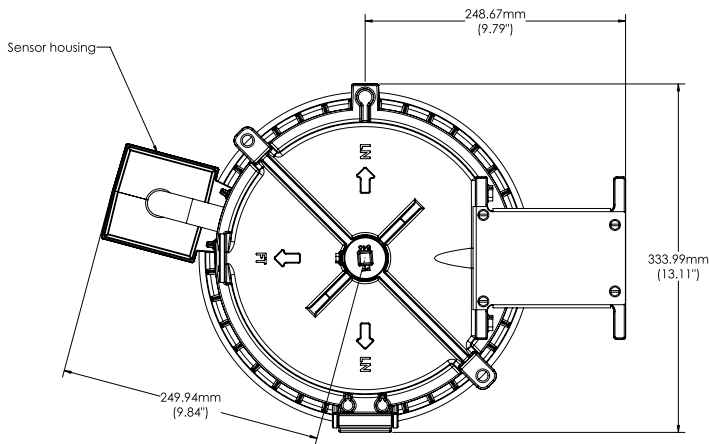
DIMENSIONAL DATA (continued)



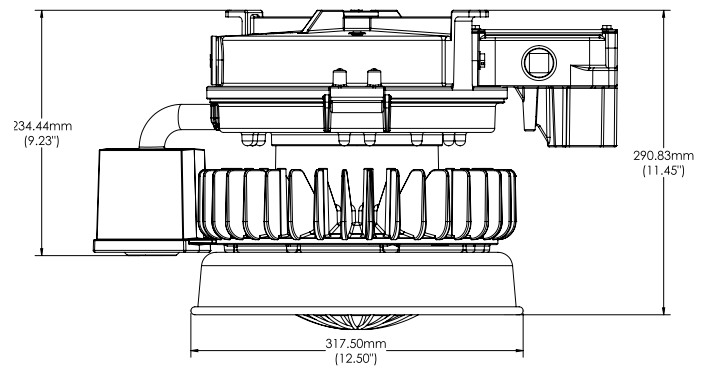
PENDANT MOUNTING (PM)



PTASTA

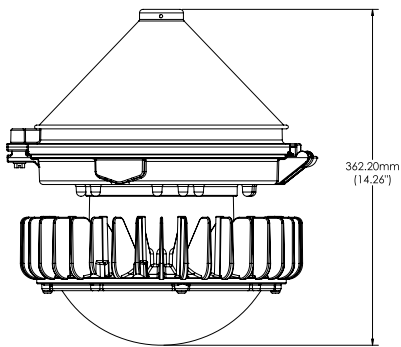


SENSOR OPTION

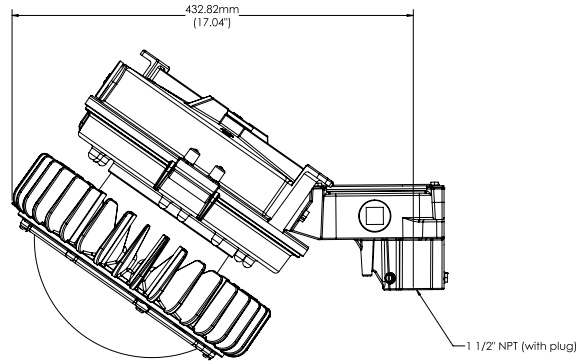


UPLIGHT SHIELD OPTION (UPS)

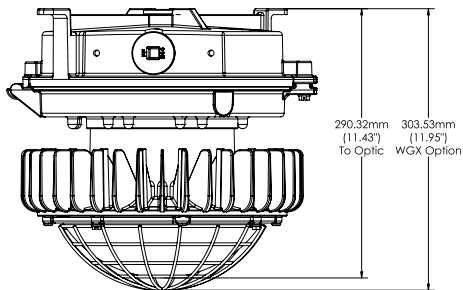
DIMENSIONAL DATA (continued)



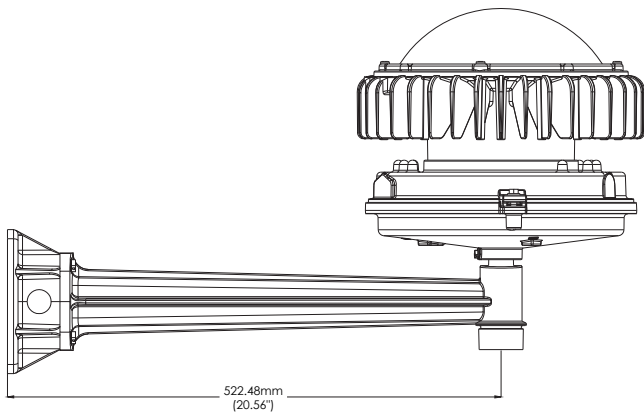
PENDANT CONE ACCESSORY



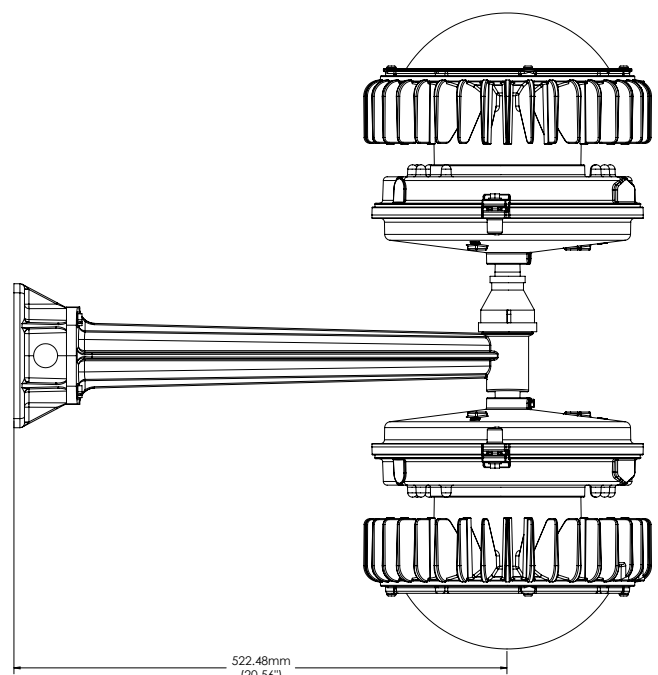
UNIVERSAL MOUNTING (UNM)
with P3US-35-XX Accessory
(must order P3US-35-XX separately)



WIRE GUARD OPTION (WGX)



07233-1-XX (Single Substation Arm)
07233-1-CTL-XX (Single Substation arm with controls)



07233-2-XX (Tandem Substation Arm)
07233-2-CTL-XX (Tandem Substation arm with controls)

OPERATIONAL DATA

Performance with AO Field Adjustable Output

FAO Setting	Base Max Lumen Output %
1	35%
2	48%
3	61%
4	74%
5	87%
6	100%
7	100%
8	100%

Impact Resistance (IK Ratings)

Lens Material	Rating
Glass	IK07
Silicone	IK10

Projected Lumen Maintenance (TM-21)

Lumen Package	25C ambient					
	0 Hours	15,000 Hours	30,000 Hours	45,000 Hours	60,000 Hours	100,000 Hours
3,000LM	1	0.97	0.95	0.92	0.9	0.84
5,000LM	1	0.97	0.95	0.92	0.9	0.84
8,000LM	1	0.97	0.94	0.92	0.89	0.83
10,000LM	1	0.97	0.95	0.92	0.9	0.84

Lumen Package	55C ambient					
	0 Hours	15,000 Hours	30,000 Hours	45,000 Hours	60,000 Hours	100,000 Hours
3,000LM	1	0.97	0.94	0.91	0.88	0.81
5,000LM	1	0.97	0.94	0.91	0.89	0.82
8,000LM	1	0.96	0.93	0.89	0.86	0.78
10,000LM	1	0.96	0.93	0.9	0.87	0.79

Default Bluetooth Sensor Programming

Model	Default Operation	Occupancy Time Delay	Photocell Mode	Photocell Set-point	Low Trim	High Trim	Dim to Off Time Delay
SBGR10BTP	On/Off Occupancy Only Disabled	10 minutes	Disabled	n/a	n/a	100%	Disabled
SBGR10BTP HL	Occupancy w/ 0-10V Dimming (High/Low/Off)	10 minutes	Disabled	n/a	10%	100%	2.5 minutes
SBGR10BTP ADC	Occupancy w/ Dim & Switch Photocell	10 minutes	On/Off & Auto Dim	50 fc	10%	100%	0 seconds
SBGR10BTP ANL	Dim & Switch Photocell with High/Low Occupancy Operation	10 minutes	On/Off & Auto Dim	50 fc	10%	100%	Stay Dim/Never Off

Operating Characteristics

Package	Distribution	Delivered lumens at 3000K CCT 70CRI @ 25C	Delivered lumens at 3000K CCT 80CRI @ 25C	Delivered lumens at 3000K CCT 90CRI @ 25C	Delivered lumens at 4000K CCT 70CRI @ 25C	Delivered lumens at 4000K CCT 80CRI @ 25C	Delivered lumens at 4000K CCT 90CRI @ 25C	Delivered lumens at 5000K CCT 70CRI @ 25C	Delivered lumens at 5000K CCT 80CRI @ 25C	Delivered lumens at 5000K CCT 90CRI @ 25C	Wattage	LPW @ 4000K 80CRI
3000LM	FWD	2848	2621	2167	2988	2712	2184	3110	2746	2202	21	127
	MDO	3035	2793	2308	3183	2785	2327	3314	2821	2346	21	130
	MDU5	2700	2485	2054	2833	2803	2071	2949	2839	2087	21	131
	MDU5GLF	3021	2780	2298	3169	2883	2316	3299	2920	2335	21	135
	ND	2698	2483	2053	2831	2596	2069	2947	2630	2086	21	121
	SO	3182	2928	2421	3338	2934	2440	3475	2971	2460	21	137
	WD	3098	2851	2357	3250	2850	2376	3383	2887	2395	21	133
5000LM	FWD	4852	4465	3691	5090	4619	3721	5298	4679	3750	35	130
	MDO	5169	4757	3933	5423	4745	3964	5645	4805	3996	35	134
	MDU5	4600	4233	3499	4826	4776	3528	5023	4837	3556	35	135
	MDU5GLF	5146	4735	3915	5398	4911	3946	5619	4974	3978	35	139
	ND	4597	4230	3497	4822	4423	3525	5020	4480	3553	35	125
	SO	5421	4989	4124	5687	4998	4157	5920	5062	4191	35	141
	WD	5278	4857	4015	5537	4856	4048	5764	4918	4080	35	137
8000LM	FWD	7751	7133	5896	8131	7380	5944	8464	7474	5991	58	128
	MDO	8258	7600	6282	8664	7580	6333	9018	7677	6384	58	132
	MDU5	7349	6763	5590	7709	7629	5636	8025	7727	5681	58	132
	MDU5GLF	8221	7565	6254	8624	7846	6304	8977	7947	6355	58	136
	ND	7344	6758	5586	7704	7066	5632	8019	7156	5677	58	123
	SO	8660	7970	6588	9085	7984	6641	9457	8086	6694	58	139
	WD	8432	7759	6414	8846	7757	6466	9208	7857	6518	58	135
10000LM	FWD	9796	9015	7452	10277	9327	7512	10698	9447	7573	74	126
	MDO	10438	9605	7940	10950	9580	8004	11398	9703	8068	74	129
	MDU5	9288	8547	7066	9744	9643	7123	10143	9766	7180	74	130
	MDU5GLF	10390	9561	7904	10900	9916	7968	11346	10044	8032	74	134
	ND	9281	8541	7061	9737	8930	7118	10136	9045	7175	74	121
	SO	10946	10073	8327	11483	10091	8394	11953	10220	8461	74	136
	WD	10657	9807	8107	11180	9804	8173	11638	9930	8238	74	132

Petrolux® LED

Wet Location for Demanding Environments



Ambient Temperature Ratings

Mounting	Occ Sensor	Xpoint	SBGR BTP or NLIGHT AIR	Battery	Voltage	Ambient				Supply Wire
				PS1055MCP		3000LM	5000LM	8000LM	10000LM	
PM UNM YK90	N	N	N	N	Any	65	60	55	90C	
				Y	120-277	40	35			
			Y	N	Any	60	60	55		
				Y	120-277	-	-			
		Y	N	N	Any	65	60	55		
				Y	120-277	-	-			
			Y	N	Any	-	-			
				Y	120-277	-	-			
	Y	N	N	N	Any	65	60	55		
				Y	120-277	40	35			
			Y	N	Any	-	-			
				Y	120-277	-	-			
		Y	N	N	Any	-	-			
				Y	120-277	-	-			
			Y	N	Any	-	-			
				Y	120-277	-	-			

Marine/NEMA 4X Compatibility

Catalog Nomenclature		Marine	NEMA 4X
Lumen Packages	3000LM	X	X
	5000LM	X	X
	8000LM	X	X
	10000LM	X	X
Optics	MD0	X	X
	MDU5	X	X
	MDU5GLF	X	X
	WD	X	X
	ND	X	X
	FWD	X	X
	SO		
	SOND		
Voltage	MVOLT	X	X
	120	X	X
	208	X	X
	240	X	X
	277	X	X
	HVOLT	X	X
	347	X	X
	480	X	X
	XVOLT	X	X
	277X	X	X
	347X	X	X
	480X	X	X
Color Temperature	30K	X	X
	40K	X	X
	50K	X	X
CRI	70CRI	X	X
	80CRI	X	X
	90CRI	X	X
Mounting Optics	UNM	X	X
	PM	X	X
	YK90		X
Options	Any Cordset		
	HKMW		
	E10WMCP		
	AO	X	X
	WGX	X	X
	EMD	X	X
	UPS	X	X
	FPA	X	X
	CR	X	X
	USPOM	X	X

Catalog Nomenclature		Marine	NEMA 4X
Controls	SBGR10BTP		
	SBGR10BTPHL		
	SBGR10BTPADC		
	SBGR10BTPANL		
	MS110NWL		
	MS1102L3VWL		
	MS110NWL DSCNWL		
	MS110XAWL DSCXAWL		
	XAD	X	X
	XAD924	X	X
	BP		
	PER		
	PCS		
	P34		
	P48		
PSC			
Fixture finish	DGXD	X	X
	DWHXD	X	
	DNXD		
	DBXD		
Accessories	072331 (BR-2 Arm, Single)	X	
	072331-CTL (BR-2 Arm, Single w/Controls)	X	
	072332 (BR-2 Arm, Double)	X	
	072332-CTL (BR-2 Arm, Double w/Controls)	X	
	SCK36		
	WGPXLW	X	
	UPSPXLW	X	X
	PCPXLW		
P3US (Universal Mount Arm)			
P3US35 (Universal Mount Arm, Angled)			