



Consistent with LEED® goals & Green Globes™ criteria for light pollution reduction



Autobahn Series ATBMicro - Solar Roadway Lighting

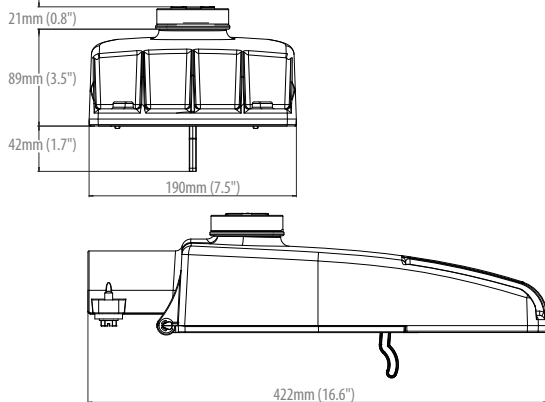
PRODUCT OVERVIEW



Applications:

- Roadways
- Off ramps
- Residential streets
- Parking lots

DIMENSIONS



Effective Projected Area (EPA): The EPA for the ATBMicro is 0.36 sq. ft. Approx. Wt. = 8 lbs.

STANDARDS

Color temperatures of $\leq 3000\text{K}$ must be specified for International Dark-Sky Association certification.

Rated for -40°C to 40°C ambient

Complies with ANSI: C136.2, C136.10, C136.14, C136.31, C136.15, C136.37

GOVERNMENT PROCUREMENT — BAA – Buy America(n) Act: Product with the BAA option qualifies as a domestic end product under the Buy American Act as implemented in the FAR and DFARS. Product with the BAA option also qualifies as manufactured in the United States under DOT Buy America regulations.

BABA – Build America Buy America: Product with the BAA option also qualifies as produced in the United States under the definitions of the Build America, Buy America Act.

Please refer to www.acuitybrands.com/buy-american for additional information.

Note: Specifications subject to change without notice. Actual performance may differ as a result of end-user environment and application.

Features:

OPTICAL

The Autobahn's new molded silicone optics provide exceptional performance. Silicone optics are superior to other polymeric materials in the areas of; optical efficiency, thermal performance, and reduction in dirt accumulation, all of which can lead to long term lumen degradation and a shift in optical distribution. Also, because silicone allows for the molding of fine details as well as thick sections, it produces the most crisp, clean and well-defined lighting distributions available. Silicone optics paired with modern LED's allow the Autobahn to take full advantage of both technologies.

Same Light: Performance is comparable to 70-150W HPS roadway luminaires.

White Light: Correlated color temperature - 4000K, or optional 2700K, 3000K or 5000K, all 70 CRI minimum.

Unique IP66 rated LED light engines provided 0% uplight and restrict backlight to within sidewalk depth, providing optimal application coverage and optimal pole spacing. Available in Type II, III, IV, & V roadway distributions.

ELECTRICAL

Expected Life: LED light engines are rated $>100,000$ hours at 25°C , L70.

Lower Energy: Saves an expected of 40-60% over comparable HID luminaires.

MECHANICAL

Includes standard AEL lineman-friendly features such as tool-less entry, 3 station terminal block and quick disconnects. Bubble level located inside the electrical compartment for easily leveling at installation.

Rugged die-cast aluminum housing and door are polyester powder-coated for durability and corrosion resistance. Rigorous five-stage pre-treating and painting process yields a finish that achieves a scribe creepage rating of 7 (per ASTM D1654) after over 5000 hours exposure to salt fog chamber (operated per ASTM B117).

Mast arm mount is adjustable for arms from 1-1/4" to 2" (1-5/8" to 2-3/8" O.D.) diameter. Provides a 3G vibration rating per ANSI C136.31

Autobahn Series ATBMicro - Solar Roadway Lighting

ORDERING INFORMATION

Series	Performance Packages	Solar	Optics
ATBmic Autobahn LED Roadway	P101 2,889 lumens nominal P102 3,400 lumens nominal P103 4,016 lumens nominal P104 4,959 lumens nominal P105 5,897 lumens nominal P106 6,755 lumens nominal P151 4,320 lumens nominal P152 5,077 lumens nominal P153 6,041 lumens nominal P154 7,399 lumens nominal P155 8,158 lumens nominal P156 8,706 lumens nominal	Solar Only Compatible with Sol By Sunna Design's Solar Lighting Solutions ²	R2 Roadway Type II R3 Roadway Type III R4¹ Roadway Type IV R5 Roadway Type V
Options			

Color Temperature (CCT)

(Blank)	4000K CCT, 70 CRI Min.
27K	2700K CCT, 70 CRI Min.
3K	3000K CCT, 70 CRI Min.
5K	5000K CCT, 70 CRI Min.

Paint

(Blank)	Gray (Standard)
BK	Black
BZ	Bronze
DDB	Dark Bronze
WH	White

Terminal Block

(Blank)	Terminal Block (Standard)
----------------	---------------------------

Misc.

BL	External Bubble Level
HSS	House-Side Shield
NL	Nema Label
XL	Not CSA Certified
UMR-XX	8" Horizontal Arm for Round Pole, Painted to match Fixture
UMS-XX	8" Horizontal Arm for Square Pole, Painted to match Fixture
UMR-GALV	8" Horizontal Arm for Round Pole, Galvanized
UMS-GALV	8" Horizontal Arm for Square Pole, Galvanized
BAA	Buy America(n) Act and/or Build America Buy America Qualified

Packaging

(Blank)	Single Unit (Standard)
JP	Job Pack (42/Pallet)

Accessories:

House Side Shields for field installation

ATBMICP10XR2/R5HSS	for use with P101 - P106, R2 & R5 distributions
ATBMICP10XR3/R4HSS	for use with P101 - P106, R3 & R4 distributions
ATBMICP15XR2/R5HSS	for use with P151 - P156, R2 & R5 distributions
ATBMICP15XR3HSS	for use with P151 - P156, R3 distribution

Notes:

- Not available with P151 - P156 performance packages.
- No Driver included, input power managed via Sol By Sunna's Solar Engine. Wattage depends on project location and Solar Engine size.



AEL Headquarters, One Lithonia Way, Conyers Georgia 30012
 www.americanelectricalighting.com Phone: 1-866-HOLOPHANE
 Email: TechSupport-Lighting@AcuityBrands.com

© 2022-2024 Acuity Brands Lighting, Inc. All Rights Reserved. ATBmic_SOLAR 04/16/24

Warranty Five-year limited warranty. This is the only warranty provided and no other statements in this specification sheet create any warranty of any kind. All other express and implied warranties are disclaimed. Complete warranty terms located at: www.acuitybrands.com/support/warranty/terms-and-conditions

Note: Actual performance may differ as a result of end-user environment and application. All values are design or typical values, measured under laboratory conditions at 25 °C. Specifications subject to change without notice.

Please contact your sales representative for the latest product information.

Autobahn Series ATBMicro - Solar Roadway Lighting

P E R F O R M A N C E P A C K A G E

ATBMic	Distribution	Input Watts	2700K	3000K	4000K/5000K
			Lumens	Lumens	Lumens
P101	R2	*	2,652	2,733	2,910
	R3		2,636	2,716	2,822
	R4		2,634	2,548	2,791
	R5		2,706	2,752	2,876
P102	R2	*	3,118	3,153	3,377
	R3		3,099	3,180	3,277
	R4		2,980	2,928	3,158
	R5		3,181	3,253	3,371
P103	R2	*	3,654	3,731	3,952
	R3		3,631	3,735	3,915
	R4		3,506	3,498	3,715
	R5		3,728	3,776	3,950
P104	R2	*	4,425	4,557	4,919
	R3		4,398	4,493	4,745
	R4		4,278	4,278	4,533
	R5		4,515	4,566	4,784
P105	R2	*	5,216	5,407	5,712
	R3		5,184	5,342	5,597
	R4		5,042	4,940	5,343
	R5		5,322	5,434	5,639
P106	R2	*	5,939	6,243	6,510
	R3		5,903	6,155	6,541
	R4		5,833	5,728	6,181
	R5		6,060	6,140	6,421
P151	R2	*	4,062	4,025	4,327
	R3		4,038	4,046	4,268
	R5		4,145	4,236	4,392
	R2		*	4,683	4,677
R3	4,655	4,605		5,086	
R5	4,778	4,825		5,063	
P153	R2	*		5,176	5,611
	R3		5,145	5,498	5,779
	R5		5,281	5,716	5,596
	P154		R2	*	6,172
R3		6,135	6,787		7,056
R5		6,297	6,674		6,673
P155		R2	*		7,242
	R3	7,198		7,370	7,732
	R5	7,389		7,365	7,830
	P156	R2		*	7,835
R3		7,788	7,782		8,217
R5		7,994	7,827		8,471

*Wattage depends on project location and Solar Engine size. Contact the Sol By Sunna Design's Sales Team for quoting your Acuity Solar Lighting Solutions. Email: sales@solarlighting.com or Call: 1-800-959-1329

ATBMic LLD Multiplier	15C	20C	25C	30C	35C	40C
	1.02	1.01	1.00	0.99	0.98	0.97

To calculate the LLD for a temperature other than 25°C, multiply the LLD @ 25°C (shown in the performance package table) by the LLD multiplier for the selected temperature.



AEL Headquarters, One Lithonia Way, Conyers Georgia 30012
 www.americanelectriclighting.com Phone: 1-866-HOLOPHANE
 Email: TechSupport-Lighting@AcuityBrands.com
 © 2022-2024 Acuity Brands Lighting, Inc. All Rights Reserved. ATBMic_SOLAR 04/16/24

Warranty Five-year limited warranty. This is the only warranty provided and no other statements in this specification sheet create any warranty of any kind. All other express and implied warranties are disclaimed. Complete warranty terms located at: www.acuitybrands.com/support/warranty/terms-and-conditions

Note: Actual performance may differ as a result of end-user environment and application. All values are design or typical values, measured under laboratory conditions at 25 °C. Specifications subject to change without notice.
Please contact your sales representative for the latest product information.

Autobahn Series ATBMicro - Solar Roadway Lighting

PERFORMANCE PACKAGE

LLD @ 25°C

ATBMic	R2, R3 Distributions 3000K & 4000K CCT			R2, R3 Distributions 2700K & 5000K CCT*			R4 & R5 Distributions Any CCT		
	50k Hours	75k Hours	100k Hours	50k Hours	75k Hours	100k Hours	50k Hours	75k Hours	100k Hours
P101	0.96	0.95	0.94	0.92	0.88	0.85	0.92	0.88	0.85
P102	0.96	0.95	0.94	0.92	0.88	0.85	0.92	0.88	0.85
P103	0.96	0.95	0.93	0.92	0.88	0.85	0.92	0.88	0.85
P104	0.96	0.95	0.93	0.92	0.88	0.85	0.92	0.88	0.85
P105	0.96	0.95	0.93	0.92	0.88	0.85	0.92	0.88	0.85
P106	0.96	0.95	0.93	0.92	0.88	0.84	0.92	0.88	0.84
P151	0.96	0.95	0.94	0.92	0.88	0.85	0.92	0.88	0.85
P152	0.96	0.95	0.93	0.92	0.88	0.85	0.92	0.88	0.85
P153	0.96	0.95	0.94	0.91	0.88	0.85	0.91	0.88	0.85
P154	0.96	0.95	0.93	0.91	0.88	0.84	0.91	0.88	0.84
P155	0.96	0.95	0.94	0.91	0.87	0.83	0.91	0.87	0.83
P156	0.96	0.95	0.93	0.91	0.87	0.83	0.91	0.87	0.83

* Also includes any custom (non-catalog) CCT



AEL Headquarters, One Lithonia Way, Conyers Georgia 30012
 www.americanelectriclighting.com Phone: 1-866-HOLOPHANE
 Email: TechSupport-Lighting@AcuityBrands.com
 © 2022-2024 Acuity Brands Lighting, Inc. All Rights Reserved. ATBMic_SOLAR 04/16/24

Warranty Five-year limited warranty. This is the only warranty provided and no other statements in this specification sheet create any warranty of any kind. All other express and implied warranties are disclaimed. Complete warranty terms located at: www.acuitybrands.com/support/warranty/terms-and-conditions

Note: Actual performance may differ as a result of end-user environment and application. All values are design or typical values, measured under laboratory conditions at 25 °C. Specifications subject to change without notice.

Please contact your sales representative for the latest product information.

Autobahn Series ATBMicro - Solar Roadway Lighting

B.U.G. Ratings

ATBMic	Distribution	2700K			3000K			4000/5000K		
		B	U	G	B	U	G	B	U	G
P101	R2	1	0	1	1	0	1	1	0	1
	R3	1	0	1	1	0	1	1	0	1
	R4	1	0	1	1	0	1	1	0	1
	R5	2	0	1	2	0	1	2	0	1
P102	R2	1	0	1	1	0	1	1	0	1
	R3	1	0	1	1	0	1	1	0	1
	R4	1	0	1	1	0	1	1	0	1
	R5	2	0	1	2	0	1	2	0	1
P103	R2	1	0	1	1	0	1	1	0	1
	R3	1	0	1	1	0	1	1	0	1
	R4	1	0	1	1	0	1	1	0	1
	R5	3	0	1	3	0	1	3	0	1
P104	R2	1	0	1	1	0	1	1	0	1
	R3	1	0	1	1	0	1	1	0	1
	R4	1	0	1	1	0	1	1	0	2
	R5	3	0	1	3	0	1	3	0	1
P105	R2	1	0	1	1	0	1	1	0	1
	R3	1	0	1	1	0	1	1	0	1
	R4	1	0	2	1	0	2	1	0	2
	R5	3	0	1	3	0	1	3	0	1
P106	R2	1	0	1	2	0	2	2	0	2
	R3	1	0	1	1	0	1	1	0	2
	R4	1	0	2	1	0	2	1	0	2
	R5	3	0	1	3	0	1	3	0	1
P151	R2	1	0	1	1	0	1	1	0	1
	R3	1	0	1	1	0	1	1	0	1
	R5	3	0	1	3	0	1	3	0	1
P152	R2	1	0	1	1	0	1	1	0	1
	R3	1	0	1	1	0	1	1	0	1
	R5	3	0	1	3	0	1	3	0	1
P153	R2	1	0	1	1	0	1	1	0	1
	R3	1	0	1	1	0	1	1	0	1
	R5	3	0	1	3	0	1	3	0	1
P154	R2	2	0	2	2	0	2	2	0	2
	R3	1	0	1	1	0	2	1	0	2
	R5	3	0	1	3	0	2	3	0	2
P155	R2	2	0	2	2	0	2	2	0	2
	R3	1	0	2	1	0	2	1	0	2
	R5	3	0	2	3	0	2	3	0	2
P156	R2	2	0	2	2	0	2	2	0	2
	R3	1	0	2	1	0	2	1	0	2
	R5	3	0	2	3	0	2	3	0	2



AEL Headquarters, One Lithonia Way, Conyers Georgia 30012
 www.americanelectriclighting.com Phone: 1-866-HOLOPHANE
 Email: TechSupport-Lighting@AcuityBrands.com
 © 2022-2024 Acuity Brands Lighting, Inc. All Rights Reserved. ATBMic_SOLAR 04/16/24

Warranty Five-year limited warranty. This is the only warranty provided and no other statements in this specification sheet create any warranty of any kind. All other express and implied warranties are disclaimed. Complete warranty terms located at: www.acuitybrands.com/support/warranty/terms-and-conditions

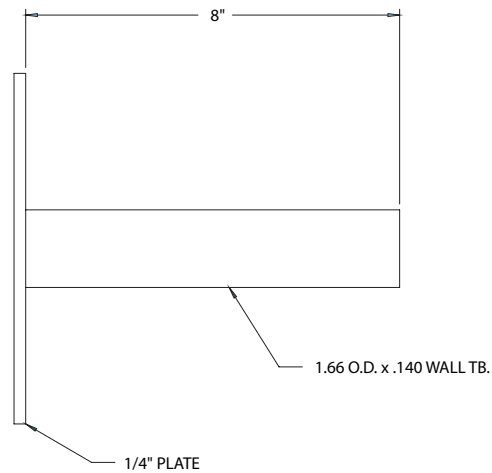
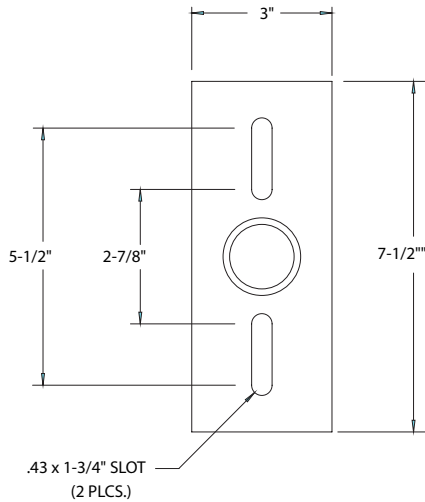
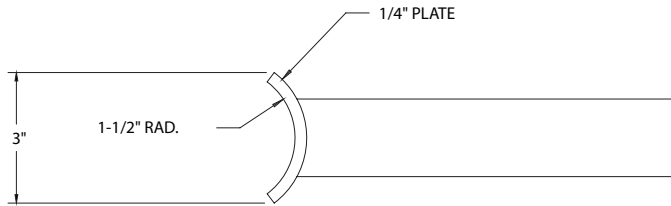
Note: Actual performance may differ as a result of end-user environment and application. All values are design or typical values, measured under laboratory conditions at 25 °C. Specifications subject to change without notice.

Please contact your sales representative for the latest product information.

Autobahn Series ATBMicro - Solar Roadway Lighting

UMR POLE ADAPTOR

RECOMMENDED FOR USE WITH POLES OF 4" DIAMETER OR SMALLER



UMS POLE ADAPTOR



AEL Headquarters, One Lithonia Way, Conyers Georgia 30012
www.americanelectriclighting.com Phone: 1-866-HOLOPHANE
Email: TechSupport-Lighting@AcuityBrands.com

© 2022-2024 Acuity Brands Lighting, Inc. All Rights Reserved. ATBmic_SOLAR 04/16/24

Warranty Five-year limited warranty. This is the only warranty provided and no other statements in this specification sheet create any warranty of any kind. All other express and implied warranties are disclaimed. Complete warranty terms located at: www.acuitybrands.com/support/warranty/terms-and-conditions

Note: Actual performance may differ as a result of end-user environment and application. All values are design or typical values, measured under laboratory conditions at 25 °C. Specifications subject to change without notice.

Please contact your sales representative for the latest product information.