



TRAC 12

Miniature Low Voltage Trac System WarmDim® LED MODULES

Project: _____

Fixture Type: _____

Location: _____

Contact/Phone: _____



12-VOLT AC

TL214LED 27KWD 90CRI

PRODUCT DESCRIPTION

Miniature LED module approximates the lumen output and light distribution of 7W xenon lamps, utilizing approximately 15% of the energy and having a rated life of 50,000 hours. A unique combination of LEDs and electronic intelligence enables these WarmDim® modules to gradually shift to a warmer color temperature as they are dimmed. Available in an initial full-on color temperature of just less than 2700K, which gradually dims to 1800K as the input voltage is reduced, the white-light TL214LED 27KWD 90CRI is compatible with standard Trac 12 and Trac 12/25 trac operating with 12V AC power. The modules can be placed anywhere along the Trac, and the trac can be cut-to-length during installation, making Trac 12 LED Modules the most flexible, fully dimmable LED linear lighting choice.

PRODUCT SPECIFICATIONS

LED Unique, Patented combination of LEDs produce a consistent, white light which warms when dimmed, similar to an incandescent lamp
 • 90 CRI typical at full-on brightness • Chromaticity range within a 3-step MacAdam ellipse.

Housing High temperature polycarbonate • Color-neutral, natural finish
 • Lightly diffused lens to optimize light dispersion.

Electrical Contacts Tempered phosphor bronze.

Transformers/Drivers Compatible with all Juno 12VAC transformers designated as LED-compatible – refer to transformer specification sheets for details.

Dimming May be dimmed with dimmers tested and qualified by Juno for use with the non-resistive TL214LED Series load – see transformer/driver specifications for compatible dimmers • Module color temperature begins at just less than 2700K at full-on brightness and warms to 1800K at the end of its dimming range • Consult factory for additional dimming information.

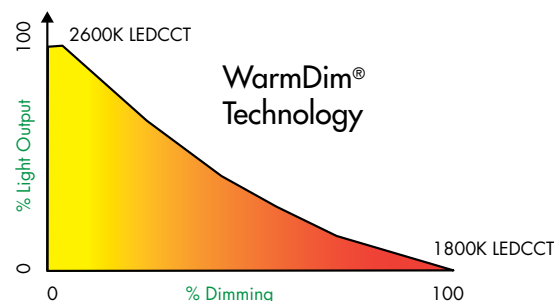
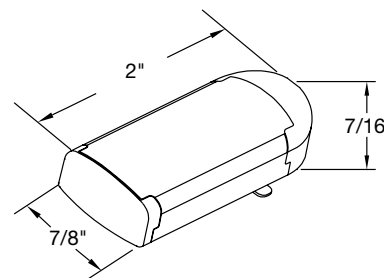
Buy American This product is assembled in the USA and meets the Buy America(n) government procurement requirements under FAR, DFARS and DOT. Please refer to www.acuitybrands.com/buy-american for additional information.

Warranty 5-year limited warranty. This is the only warranty provided and no other statements in this specification sheet create any warranty of any kind. All other express and implied warranties are disclaimed. Complete warranty terms located at: www.acuitybrands.com/CustomerResources/Terms_and_conditions.aspx.

Labels UL/cUL Listed • Union made • Assembled in U.S.A.

Specifications subject to change without notice.

DIMENSIONS



ORDERING INFORMATION/PERFORMANCE DATA

| Catalog Number | Full-On Color Temperature | Fully-Dimmed Color Temperature | Input Voltage | Wattage (Nominal) | Lumens | Efficacy (LPW) | Rated Life (Hours) |
|----------------------|---------------------------|--------------------------------|---------------|-------------------|--------|----------------|--------------------|
| TL214LED 27KWD 90CRI | Approx. 2700K | 1800K | 12VAC | 1.1W | 43 | 39 | 50,000 |

¹Performance data, including Rated Life, is based on measurements of an individual module operating in a 25°C ambient. In practice, multiple modules used in a system will average slightly lower power consumption due to voltage drop within the system. Note: For operation at 11.5 volts multiply Lumens by 0.94.

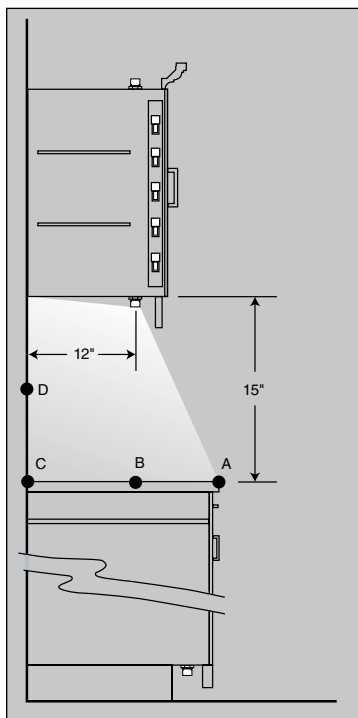
U.S. Patent 8,710,754



TRAC 12

Miniature Low Voltage Trac System WarmDim® LED MODULES 12-VOLT AC TL214LED 27KWD 90CRI

Cabinetry Lighting Guidelines



Over Cabinets Trac 12, using TL214LED-27K-WD modules spaced 6" on-center, generally provides excellent indirect lighting. Placing the fixture at the front edge of the cabinet top will project light into the space and illuminate any displayed objects. Locate top of lamp even with top edge of cove molding to prevent a harsh shadow line.

Inside Cabinets Running Trac 12 vertically on the front inside of cabinets avoids the need to put trac on each shelf. TL214LED-27K-WD modules placed 4"-6" on-center generally provide adequate lighting inside a cabinet.

Under Cabinets Placing Juno Trac 12 at the front lip of the cabinet conceals the fixture from view, minimizes veiling reflections, and provides maximum light on the working area of the countertop.

| Footcandles on Horizontal Work Surface* | | | | | | |
|---|--------------------|-------------|-------------|-----|----|----|
| Catalog # | Approx. Color Temp | O.C Spacing | Footcandles | | | |
| | | | A | B | C | D |
| TL214LED 27KWD 90CRI | 2700K | 2" | 41 | 108 | 62 | 51 |
| TL214LED 27KWD 90CRI | 2700K | 3" | 27 | 72 | 41 | 34 |
| TL214LED 27KWD 90CRI | 2700K | 4" | 20 | 54 | 31 | 26 |
| TL214LED 27KWD 90CRI | 2700K | 6" | 14 | 36 | 21 | 17 |

*Data shown is for operation at 12-volts. For operation at 11.5-volts, multiply by 0.94.

Kick Spaces TL214LED 27KWD 90CRI modules spaced 4" on-center generally provides adequate kick space lighting. Wider spacings can be used when the distance from the trac to the floor is greater than 4" or when even illumination is not required.

Note: Shiny flooring or countertops may cause lamp image reflections.

TRAC 12

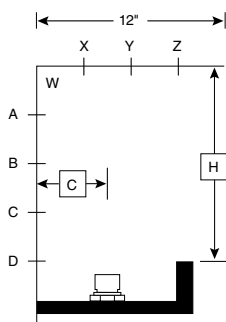
Miniature Low Voltage Trac System

WarmDim® LED MODULES

12-VOLT AC

TL214LED 27KWD 90CRI

Cove Lighting



Placement Guidelines

1. For uniform illumination o.c. lamp spacing must be equal to or less than lamp spacing from wall "C"

Footcandles on Vertical and Horizontal Planes*

| Lamp Spacing from Wall [C] | O.C. Lamp Spacing | Cove Height [H] | Footcandles on Vert. Plane (Wall) | | | | Footcandles on Horiz. Plane (Ceiling) | | | |
|-----------------------------|-------------------|-----------------|-----------------------------------|-----|-----|-----|---------------------------------------|-----|-----|-----|
| | | | A | B | C | D | W | X | Y | Z |
| TL214LED 27KWD 90CRI | | | | | | | | | | |
| 3" | 3" | 6" | 143 | 164 | 159 | 119 | 206 | 243 | 174 | 101 |
| 3" | 3" | 9" | 84 | 108 | 141 | 95 | 149 | 160 | 132 | 90 |
| 3" | 3" | 12" | 54 | 71 | 120 | 87 | 110 | 116 | 103 | 79 |
| 4" | 4" | 6" | 104 | 107 | 95 | 75 | 130 | 177 | 151 | 90 |
| 4" | 4" | 9" | 67 | 79 | 82 | 56 | 103 | 118 | 107 | 78 |
| 4" | 4" | 12" | 45 | 58 | 76 | 48 | 80 | 88 | 82 | 65 |

LUMENS PER FOOT*

| Catalog No. | Lamp Spacing | | | |
|-----------------------------|--------------|-----|-----|----|
| | 2" | 3" | 4" | 6" |
| TL214LED 27KWD 90CRI | 258 | 172 | 129 | 86 |

MAXIMUM TRAC RUN LENGTH**

| Catalog No. | Transformer | Lamp Spacing | | | |
|-----------------------------|-------------|--------------|-----|-----|-----|
| | | 2" | 3" | 4" | 6" |
| TL214LED 27KWD 90CRI | Electronic | 9' | 12' | 13' | 16' |
| | Magnetic | 24' | 30' | 32' | 42' |

*Data shown is for operation at 12-volts. For operation at 11.5-volts, multiply by 0.94.

**Based on 20% maximum light output decrease between first and last fixture on trac due to voltage drop; to utilize full capacity of trac and transformers, individual transformer circuits may have to feed multiple runs using separate feed points.