

FEATURES & SPECIFICATIONS

INTENDED USE — Ideal for applications that require attractive steel exit with emergency lighting. Meets city of Chicago requirements.

CONSTRUCTION — 20-gauge steel housing with glass panel face.

White powder coat finish.

Uniform graphical illumination without shadows or hot spots.

Letters are 6" high with 100 ft. viewing distance rating based upon UL924 standard.

OPTICS — White LED technology provides uniform illumination to meet city of Chicago requirements.

The typical life of exit LED lamp is 5 years, based on 24/7 operation. Unique LED lamp platform accommodates both single-face and double-face exits.

Low energy consumption; fewer than five watts (EXIT/STAIR only).

Two adjustable metal lamp heads with 6V, 5.3W white LED lamps.

CRI: 75

Lumen output: 697.2

CCT: 5000k

ELECTRICAL — Dual voltage input capacity (120/277). Current-limiting charger maximizes battery life and minimizes energy consumption. Provides low operating costs.

Test switch and dual-function ready/charge light (red) permit check of system operation on exit sign and emergency light.

Battery: Sealed, maintenance-free lead-acid battery delivers 90 minutes capacity to lamp. Charger maximizes battery life and automatically recharges after battery discharge.

Emergency light: Slip-on battery terminals. Low-voltage disconnect prevents excessively deep discharge that can permanently damage the battery.

INSTALLATION — Top or back mount. Canopy provided.

Full stroke arrow option available.

LISTINGS — UL listed damp location 68°F to 122°F (20°C to 50°C). Meets UL924 (meets UL924 requirements; however, models shipped with the city of Chicago required full stroke arrow cannot bear any UL mark), NFPA 101 (current Life Safety Code), NEC and OSHA illumination standards. FCC Title 47, Part 15, Subpart B. Meets City of Chicago Code.

WARRANTY — 5-year limited warranty. (Battery is prorated). This is the only warranty provided and no other statements in this specification sheet create any warranty of any kind. All other express and implied warranties are disclaimed. Complete warranty terms located at: www.acuitybrands.com/support/warranty/terms-and-conditions

NOTE: Actual performance may differ as a result of end-user environment and application.

All values are design or typical values, measured under laboratory conditions at 25 °C.

Specifications subject to change without notice.

Catalog Number
Notes
Type

Industrial Steel Combo Emergency Light

LLXC

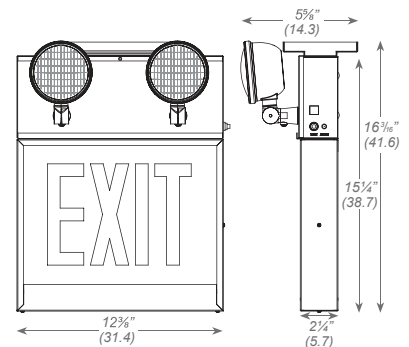
LED Exit/Unit Combo



Specifications

- Length: 12-3/8 (31.5)
- Depth: 5-7/8 (14.9)
- Height: 16-1/2 (42.2)
- Shipping weight : 14.34 lbs (6.5 kgs)

All dimensions are inches (centimeters) unless otherwise indicated.



ORDERING INFORMATION

Lead times will vary depending on options selected. Consult with your sales representative.

Example: LLXC W 1 RW CH3

Family	Housing color	Number of faces	Letter color	Directional indicators	Options
LLXC	W White	(blank) Not Required ¹	(blank) Not Required ¹	(blank) Not Required ¹	Double face CH18 EXIT with no arrow CH21 EXIT with right/left arrow CH24 EXIT with double arrow CH17A STAIR with no arrow CH20A STAIR with right/left arrow CH23A STAIR with double arrow
		1 Single face	RW Red on white background	Single face CH3 EXIT with no arrow CH6 EXIT with right arrow CH9 EXIT with left arrow CH12 EXIT with double arrow CH2A STAIR with no arrow CH5A STAIR with right arrow CH8A STAIR with left arrow CH11A STAIR with double arrow	
		2 Double face			NGP No glass panel, housing panel only ²

Accessories: Order as separate catalog number.

Panel Offering³:

ELA LXCH3	EXIT No arrow	ELA LXCH2A	STAIR No arrow
ELA LXCH6	EXIT right arrow	ELA LXCH5A	STAIR right arrow
ELA LXCH9	EXIT left arrow	ELA LXCH8A	STAIR left arrow
ELA LXCH12	EXIT double arrow	ELA LXCH11A	STAIR double arrow

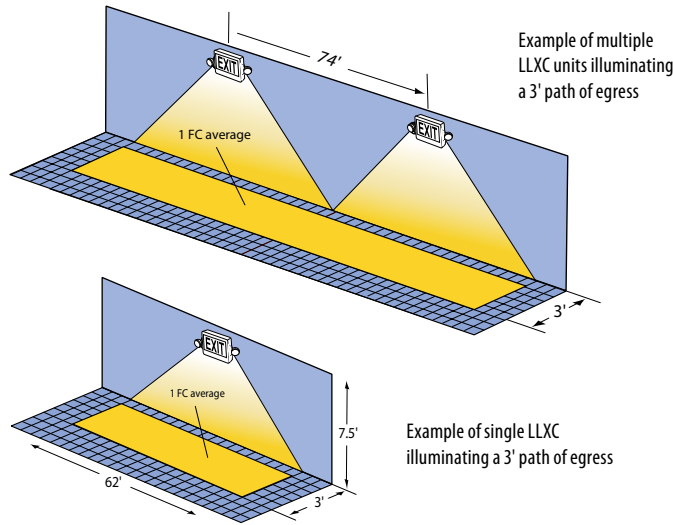
Notes

- Use with NGP option only. Same housing used for single and double face sign. (example LLXC W NGP) For double face, backplate is removed and replace with additional panels from the accessory panel offering.
- See accessories for panel offering.
- See charts on page 2 for more information.

LLXC Industrial LED Steel Combo Emergency Light

SPACING GUIDELINES

*Note: To see complete photometric report or download the .ies file for this product, visit Lithonia Lighting LLXC home page.



Maximum Spacing Guidelines — LLXC ¹						
Mounting Height	Illumination Level	Single Luminaire		Multiple Luminaire		Application Notes
		3' Path of Egress	6' Path of Egress	3' Path of Egress	6' Path of Egress	
7.5'	1FC Avg	62'	56'	74'	66'	200' Corridor 8' wide, and 12' high with 80/50/20 reflectances
10'	1FC Avg	54'	52'	66'	61'	200' Corridor 8' wide, and 12' high with 80/50/20 reflectances

Notes:

1. Also meets the additional illumination requirements of NFPA 101: 1FC minimum and max/min ratio of 40:1.

Directional Indicators (Exit)

Specification (add to catalog number)	Graphics	
	Back	Front
CH3 (no arrows)		
CH6 (right arrow)		
CH9 (left arrow)		
CH12 (single face, left and right arrow)		
CH18 (double face, no arrows)		
CH21 (double face, one arrow on each side)		
CH24 (double face, two arrows on each side)		

*Models with the city of Chicago required full stroke arrow cannot bear any UL mark. Excludes: CH3, CH18

Directional Indicators (Stair)

Specification (add to catalog number)	Graphics	
	Back	Front
CH2A (no arrows)		
CH5A (right arrow)		
CH8A (left arrow)		
CH11A (single face, double arrow)		
CH17A (double face, no arrows)		
CH20A (double face, left and right arrow)		
CH23A (double face, double arrows)		

*Models with the city of Chicago required full stroke arrow cannot bear any UL mark. Excludes: CH2A, CH17A

SPECIFICATIONS

Electrical Primary Circuit				
	Input Watts (W)		Input Amps (A)	
LLXC	120V	277V	120V	277V
	12	13	0.12A	0.06A

BATTERY					
Sealed Lead Acid					
Type	Voltage	Typical Shelf Life ¹	Typical Life ¹	Maintenance ²	Temperature Range ³
Emergency Light	6V	12 mos.	4-5 yrs	none	68°F-122°F (20°C-50°C)
Exit Sign	6V	12 mos.	4-5 yrs	none	68°F-122°F (20°C-50°C)

Notes

1. At 77°F (25°C).
2. All life safety equipment, including emergency lighting path of egress, must be maintained, serviced and tested in accordance with all National Fire Protection Association and local codes. Failure to perform the required maintenance, service or testing could jeopardize the safety of occupants and will void all warranties.
3. Temperature range where unit will provide capacity for 90 minutes. Higher or lower temperatures affect life and capacity.