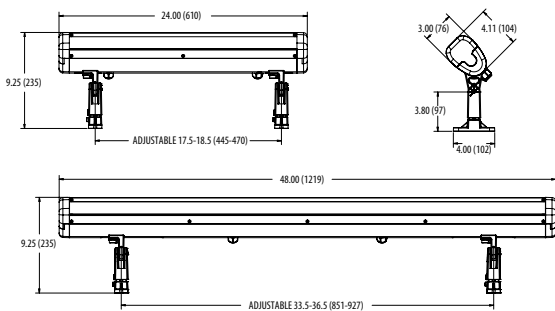
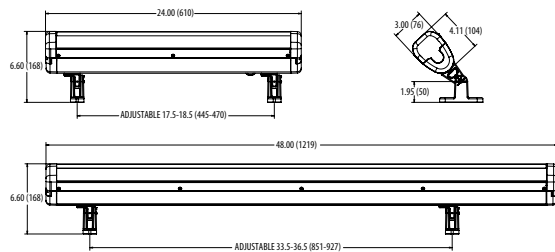
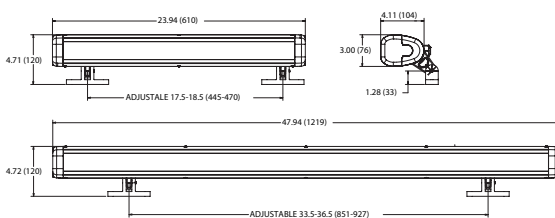



Specifications

Weight:	4' 17.5lbs
	2' 12.5lbs

DIMENSIONS
KM MOUNTING

KMS MOUNTING

**KMSR MOUNTING
(Rotated Knuckle Mount Foot)**


4750LCR STATIC WHITE

Linear Continuous Run

HIGHLIGHTS

- The 4750L delivers industry leading durability, performance and lumen output
- Superior water resistance IP67 with Hydrel "Flow-Thru" technology, water flows around the independently sealed integral driver module and sealed LED module
- Aiming integrity with a fully adjustable and rugged knuckle design using Taper-Lock technology, 7 knuckle mount options available to meet various height and aiming requirements
- Long life in the most demanding environments with low copper content housing materials, stainless steel fasteners, and durable powder coat finish options for Coastal Regions and Natatoriums
- 3G vibration rated per ANCI C136.31

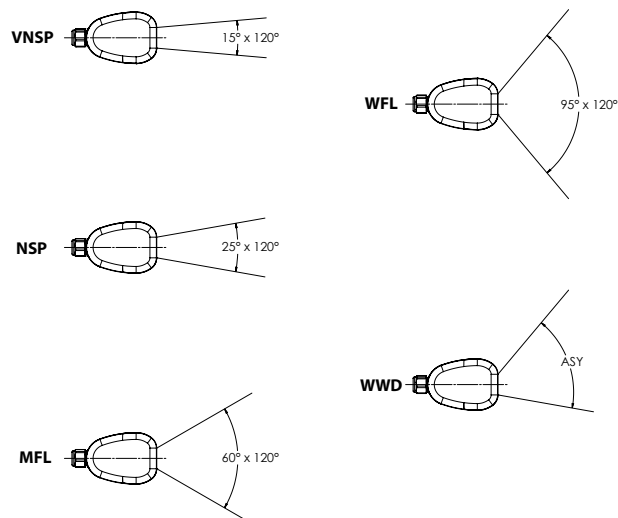
5
YEAR
warranty

LED
4+
CAPABLE

IP67
BAA
BABA
LUMEN PACKAGES

	VNSP	NSP	MFL	WFL	WWD
Delivered Lumens	6491	6646	7200	7286	6592
Watts	64	64	64	64	64
LPW	102	104	113	114	103
Peak Candela	7650	5961	4242	2683	3998

Note: Information based on 4000K @ 2000LMF on 4FT fixture

STANDARD DISTRIBUTION


ORDERING INFORMATION
EXAMPLE: 4750LCR LOP 8FT 500LMF 30K MVOLT VNSP KM EA6 CSL10 ZT BL

Model*	Linear Plan*	Total Run Length*	LED Output*	LED Color Temperature*	Voltage*		
4750LCR LED Linear Continuous Run Flood	LOP Linear Optimized Plan	<u> </u> FT Specify Continuous Linear Feet in 2' Increments <i>Note:</i> 48' Max Run @ 120v 108' Max Run @ 277v Max fixture length available in 2ft and 4ft 2ft exclude AMBLW	500LMF 500 nominal lumens per foot 1000LMF 1000 nominal lumens per foot 2000LMF 2000 nominal lumens per foot 800LMF 800 nominal lumens per foot <i>Note: 800LMF for AMBLW only</i>	27K 2700K 30K 3000K 35K 3500K 40K 4000K 50K 5000K AMBLW Amber wavelength 590nm	MVOLT 120-277 volt 347 347 volt <i>Note:</i> 347 volt 4ft only		
Distribution*	Mounting*	Mounting Accessories	Accessories	Cord Length*	Control Input*	Environmental Options	Finish*
VNSP 15 x 120 degrees NSP 25 x 120 degrees MFL 60 x 120 degrees WFL 95 x 120 degrees WWD Wall Wash (Asymmetric)	KM Knuckle Mount 45° KMS Knuckle Mount Short 45° KM90 Knuckle Mount 90° KMS90 Knuckle Mount short 90° KMR90 Rotated Knuckle Mount 90° KMSR Rotated Knuckle Mount Short KMSR90 Rotated Knuckle Mount Short 90° <i>Note:</i> KMS, KMS90, KMR90, KMSR and KMSR90 are not available with mounting accessories	JB4750L Aluminum junction box MS12 12" Steel mounting spike MS18 18" Steel mounting spike PSSA Pedestal Stanchion Splice Access SMSA Stanchion mount splice access. Available 12"-48" in 6" increments <i>Note:</i> Mounting Spike (MS) is used for fixture mounting only. Separate junction box is required for power. Hydrel offers JBA/JBB junction box	EA6 extended arm 6" EA12 extended arm 12" EA18 extended arm 18" FVSR Full Visor HVSR Half Visor <i>Note:</i> Full visor includes top and bottom shield. Half Visor is top only for all distributions except wall wash which is bottom only.	CSL10 10FT of cable CSL25 25FT of cable <i>Note:</i> See page 7 for feedcords and jumper cables information <i>Note:</i> Provided with black cord	ZT 0 - 10V ELV Reverse Phase DALI DALI DMX DMX <i>Note:</i> 2ft exclude DALI and DMX AMBLW can only be controlled by DMX	MRE Marine Environment NT Natatorium Construction CR Corrosion Resistant	BL Black Textured BZ Bronze Textured DBLB Designer Black Textured DBBT Designer Bronze Textured DNAT Designer Natural Aluminum Textured GN Green Textured GR Grey Textured SND Sand Textured STG Steel Gray Textured TVG Terra Verde Green Textured WH White Textured DBL Designer Black Smooth DDB Designer Bronze Smooth DNA Natural Aluminum Smooth DWH Designer White Smooth CF Custom Finish RALTB Ral Paint Finishes <i>Note:</i> RALTB for pricing only, replace with applicable RAL call out when ready to order. See RALBROCHURE for available options. It is recommended only use textured paint for Hydrel fixtures

Note: * is a required field

DIMMING CHART

Voltage	Control Input	Min Dimming Level
MVOLT	ZT 0-10V	Dark
MVOLT	ELV Reverse Phase	Dark
MVOLT	DALI	Dark
MVOLT	DMX	Dark

* Dark - Constant Current Dimming to <1%

* Min1 - Constant Current Dimming to 1%

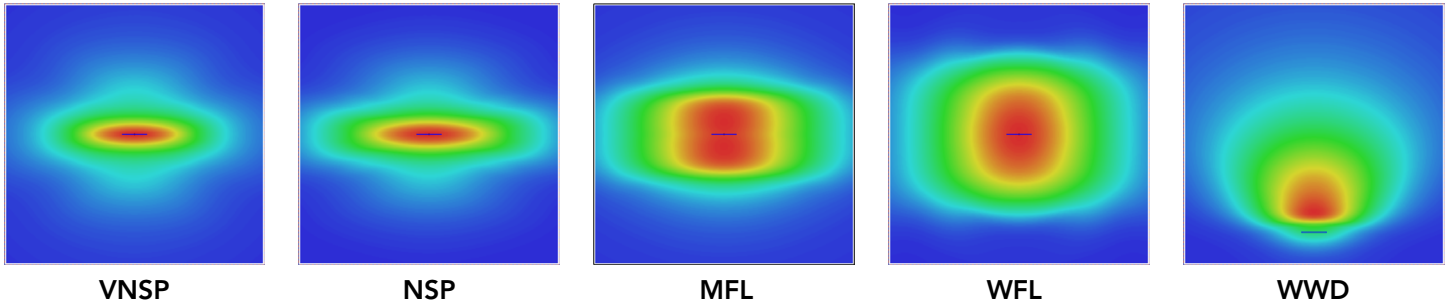
ELECTRICAL LOAD

Light Engines	Drive Current (mA)	System Watts	Current (A)				
			120	208	240	277	347
500LMF	500	21.1	0.18	0.10	0.09	0.08	NA
1000LMF	1040	42.1	0.35	0.20	0.18	0.15	0.12
2000LMF	1400	65.9	0.55	0.32	0.27	0.24	0.19

Operating Hours	0	25,000	50,000	100,000
Lumen Maintenance Factor	1.00	0.94	0.85	0.70

Ambient	Lumen Multiplier	
0°C	32°F	1.02
10°C	50°F	1.01
20°C	68°F	1.00
25°C	77°F	1.00
30°C	86°F	1.00
40°C	104°F	0.98

PERFORMANCE DATA



LUMEN OUTPUT 4' FIXTURE

Lumen values are from photometric tests performed in accordance with IESNA LM-79-08. Data is considered to be representative of the configurations shown, within the tolerances allowed by Lighting Facts. Actual performance may differ as a result of end-user environment and application. Contact factory for performance data on any configurations not shown here.

LED Output	System Watts	Distribution Type	Field Angle		Beam Angle		30K (3000 CCT, 80CRI)			40K (4000 CCT, 80CRI)			50K (5000 CCT, 80CRI)		
			°H	°V	°H	°V	Max Cd	Lumens	LPW	Max Cd	Lumens	LPW	Max Cd	Lumens	LPW
500LMF	21W	VNSP	149.4	50.4	107.0	14.7	2510	2129	102	2770	2350	112	2943	2497	119
		NSP	153.2	78.7	113.6	22.7	1956	2181	104	2158	2406	115	2293	2556	122
		MFL	157.0	83.8	121.5	56.6	1392	2362	113	1536	2607	124	1632	2770	132
		WFL	161.3	109.7	127.4	92.3	880	2390	114	971	2638	126	1032	2803	134
		WWD	155.9	75.3	112.8	49.8	1312	2163	103	1447	2387	114	1538	2536	121
1000LMF	42W	VNSP	149.4	50.4	107.0	14.7	4823	4092	99	5322	4516	109	5655	4798	116
		NSP	153.2	78.7	113.6	22.7	3758	4190	102	4147	4624	112	4406	4913	119
		MFL	157.0	83.8	121.5	56.6	2675	4540	110	2952	5009	121	3136	5322	129
		WFL	161.3	109.7	127.4	92.3	1692	4594	111	1867	5069	123	1983	5386	131
		WWD	155.9	75.3	112.8	49.8	2521	4156	101	2782	4586	111	2955	4873	118
2000LMF	63W	VNSP	149.4	50.4	107.0	14.7	6933	5882	92	7650	6491	102	8128	6896	108
		NSP	153.2	78.7	113.6	22.7	5402	6023	94	5961	6646	104	6333	7062	111
		MFL	157.0	83.8	121.5	56.6	3845	6525	102	4242	7200	113	4508	7650	120
		WFL	161.3	109.7	127.4	92.3	2432	6603	103	2683	7286	114	2851	7741	121
		WWD	155.9	75.3	112.8	49.8	3623	5974	94	3998	6592	103	4248	7004	110

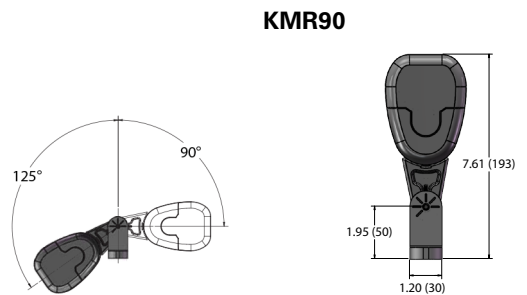
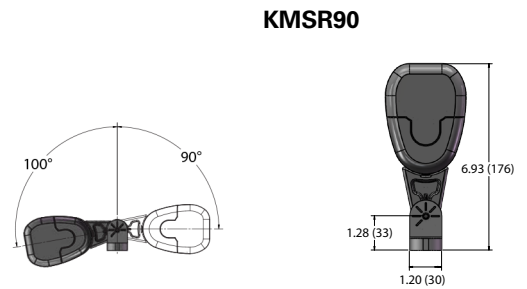
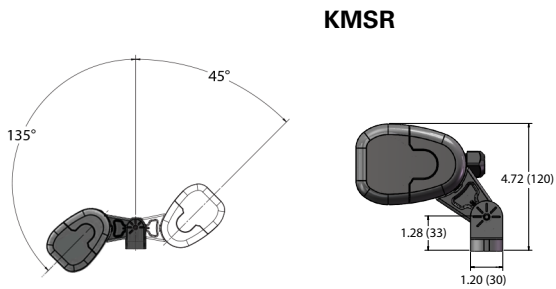
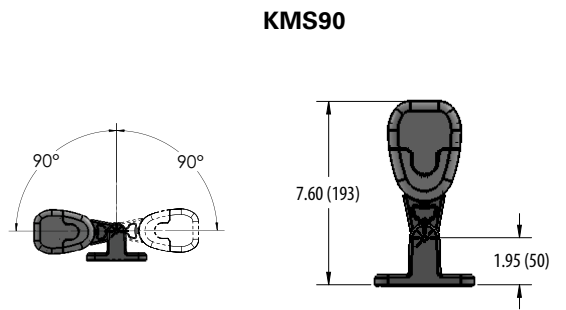
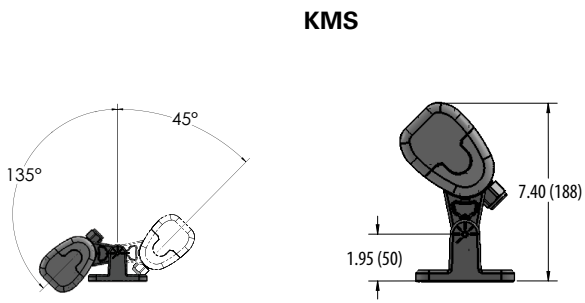
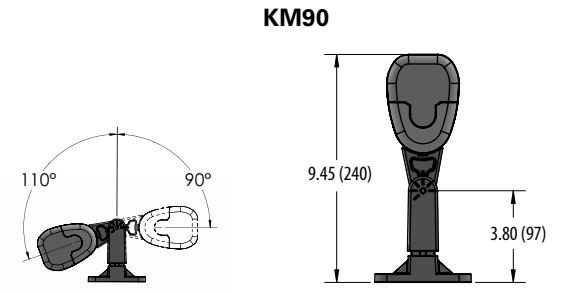
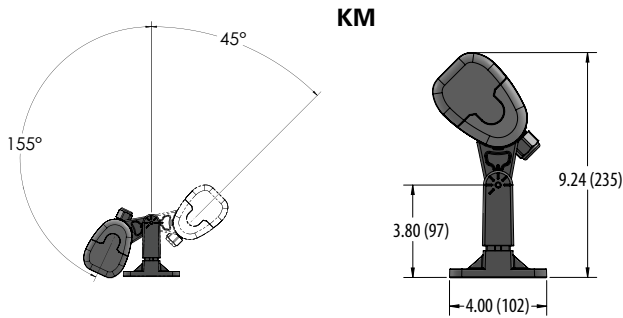
LUMEN OUTPUT 2' FIXTURE

Lumen values are from photometric tests performed in accordance with IESNA LM-79-08. Data is considered to be representative of the configurations shown, within the tolerances allowed by Lighting Facts. Actual performance may differ as a result of end-user environment and application. Contact factory for performance data on any configurations not shown here.

LED Output	System Watts	Distribution Type	Field Angle		Beam Angle		30K (3000 CCT, 80CRI)			40K (4000 CCT, 80CRI)			50K (5000 CCT, 80CRI)		
			°H	°V	°H	°V	Max Cd	Lumens	LPW	Max Cd	Lumens	LPW	Max Cd	Lumens	LPW
500LMF	11W	VNSP	149.2	52.4	107.7	14.6	1116	988	99	1231	1091	109	1308	1159	116
		NSP	150.0	69.7	112.3	19.9	973	999	100	1074	1103	110	1141	1172	117
		MFL	155.3	83.7	118.1	56.0	650	1078	108	717	1190	119	762	1264	127
		WFL	161.0	109.1	124.6	91.5	430	1117	112	474	1232	123	504	1309	131
		WWD	155.4	73.1	111.0	48.9	581	970	97	641	1070	107	681	1137	114
1000LMF	21W	VNSP	149.2	52.4	107.7	14.6	2269	2010	94	2504	2218	103	2661	2357	110
		NSP	150.0	69.7	112.3	19.9	1978	2032	95	2183	2242	105	2320	2383	111
		MFL	155.3	83.7	118.1	56.0	1322	2193	102	1459	2420	113	1550	2571	120
		WFL	161.0	109.1	124.6	91.5	874	2271	106	964	2505	117	1025	2662	124
		WWD	155.4	73.1	111.0	48.9	1182	1972	92	1304	2176	101	1386	2312	108
2000LMF	32W	VNSP	149.2	52.4	107.7	14.6	3305	2928	90	3647	3231	99	3875	3432	106
		NSP	150.0	69.7	112.3	19.9	2882	2960	91	3180	3266	101	3379	3470	107
		MFL	155.3	83.7	118.1	56.0	1925	3194	98	2125	3524	109	2257	3745	115
		WFL	161.0	109.1	124.6	91.5	1273	3307	102	1464	3649	112	1492	3877	119
		WWD	155.4	73.1	111.0	48.9	1722	2871	88	1900	3169	98	2018	3367	104

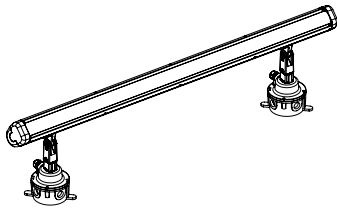
MOUNTING OPTIONS

KNUCKLE MOUNTING AND AIMING DETAILS

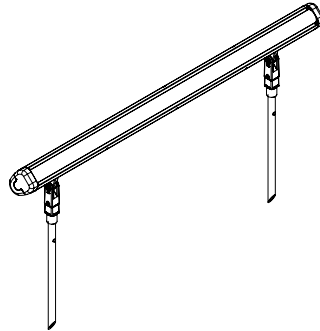


MOUNTING ACCESSORIES

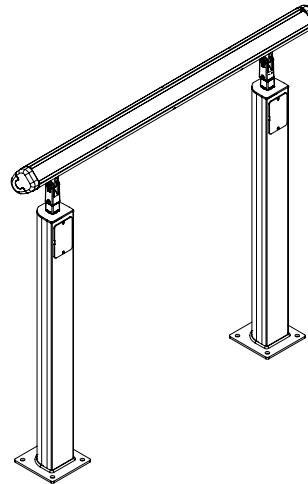
MOUNTING ACCESSORIES - is supplied with 1/2" NPS adaptor. Suitable for ground mounting.



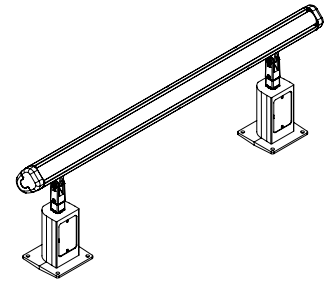
JB4750L Junction Box



MS12 Mounting splice available in 12" and 18"

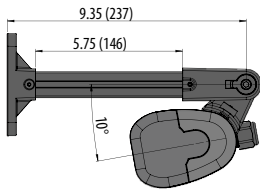


SMSA12 Mounting available in 12"-48" in 6" increments

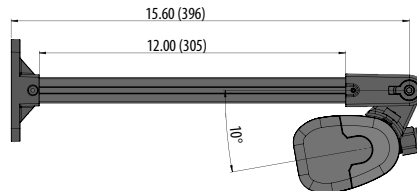


PSSA Mounting

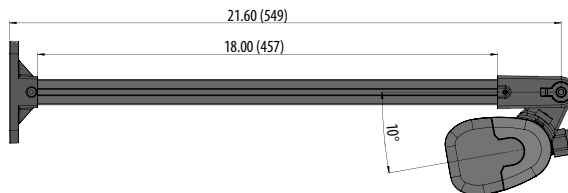
EXTENDED ARM Suitable for wall or surface mount



EA64750L



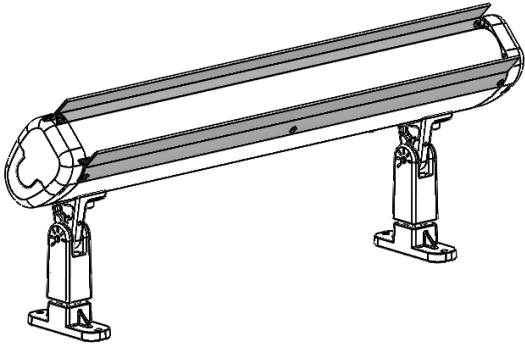
EA124750L



EA184750L

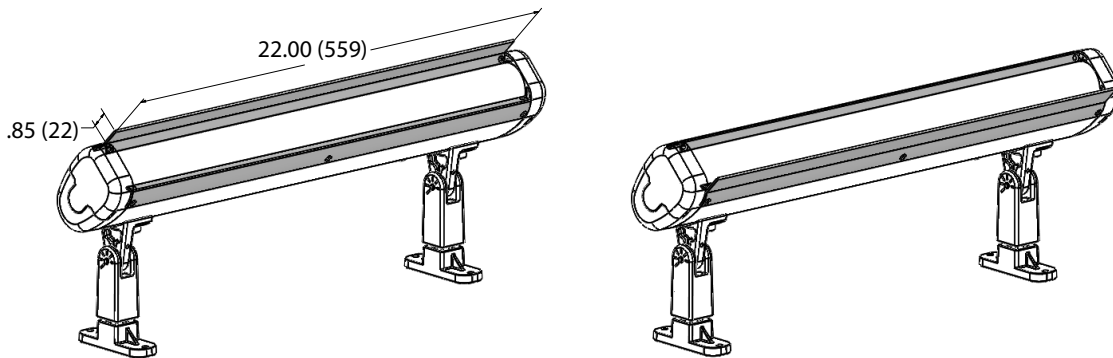
EXTERNAL ACCESSORIES

VISORS



FVSR4750L

FULL VISOR is supplied with top and bottom visor.

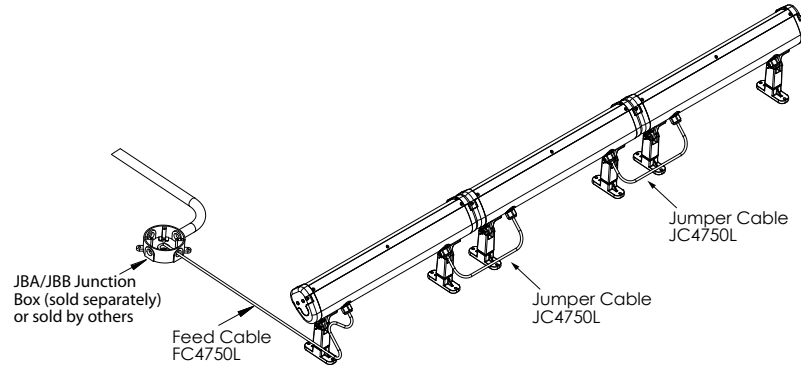


HVSR4750L

HALF VISOR are factory installed on top side except for wall wash distribution which is installed on the bottom. Visors: Can be field installed and moved from top to bottom if desired.

WIRING AND LAYOUT DESIGN

CONTINUOUS RUN LAYOUT



MAX RUN LENGTH

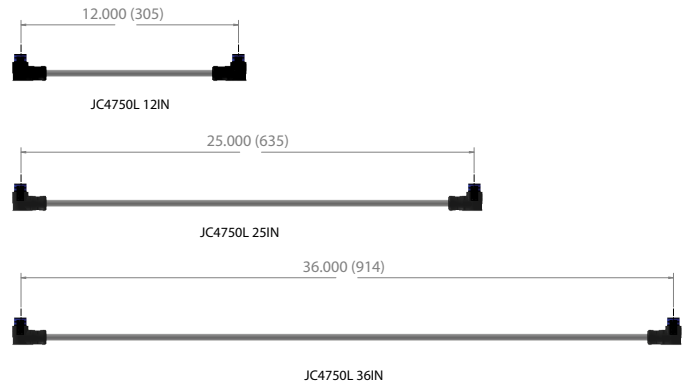
Fix Length	Watt/FT	120V	277V
2FT	17.8	40 ft	86 ft
4FT	17.8	48 ft	108 ft

Note: Fixtures are not physically attached to one another. Fixtures are attached using the jumper cables.

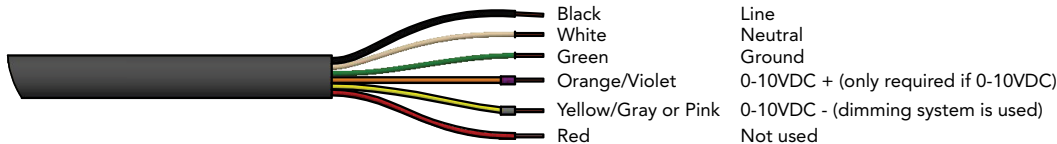
Cable:

FC4750L CSL10	10' Feed Cable
FC4750L CSL25	25' Feed Cable
JC4750L 12IN	12" Jumper Cable for use between 2FT to 2FT fixtures
JC4750L 25IN	25" Jumper Cable for use 2FT to 4FT fixtures or 4FT to 4ft fixtures controlled by DMX, DALI or 347 volt
JC4750L 36IN	36" Jumper Cable for use between 2FT to 4FT fixtures or 4ft to 4ft MVOLT fixtures controlled by ZT or ELV

Note: Cables provided with fixtures, may be ordered separately as replacements.



Feed Cable Wiring Detail - Static Fixture



SPECIFICATIONS AND FEATURES

MATERIAL: Copper free die cast aluminum and corrosion resistant extruded aluminum. All stainless steel fasteners.

LIGHT SOURCE: CCT 27K, 30K, 35K, 40K, 50K, 80CRI, AMBLW limited wavelength 590nm. All within 3 MacAdam ellipses.

VOLTAGE: MVOLT 120-277 or 347 (4ft only.)

DISTRIBUTION: VNSP (10x), NSP (20x), MFL (55x), WFL (100x), WWD (wall wash Asymmetric)

LENS: High clarity acrylic, superior UV resistant.

MOUNTING: Seven (7) knuckle mount style options are available to meet a variety of application requirements for fixture height and range of aiming adjustability: KM (Knuckle Mount 45°), KMS (Knuckle Mount Short 45°), KM90 (Knuckle mount 90°), KMS90 (Knuckle mount short 90°), KMSR (Rotated Knuckle Mount Short 45°), KMR90 (Rotated Knuckle Mount 90°), or KMSR90 (Rotated Knuckle Mount Short 90°). Mounting feet are either perpendicular (KM, KMS, KM90, KMS90) or parallel (rotated) to the fixture length (KMSR, KMR90, KMSR90).

FINISH: Exterior parts are protected by a zinc-infused super durable TGIC thermoset powder coat finish that provides superior resistance to corrosion and weathering. A tightly controlled multi-stage process ensures a minimum 3 mils thickness for a finish that can withstand extreme climates without cracking or peeling.

CORD DETAILS: Provided with black cord MVOLT - 18-6 SJTOW 10ft. length. 347 - 16-5 STW 10ft. length.

LISTING: cCSAus, MRE (Marine Environment) is listed to UL1598a. IP67 rated.

ENVIRONMENT: Suitable for outdoor wet location applications. Suitable for indoor, non-IC rated applications, maximum 40° C and minimum -20° C ambient operating temperatures.

GOVERNMENT PROCUREMENT

BAA – Buy America(n) Act: Product qualifies as a domestic end product under the Buy American Act as implemented in the FAR and DFARS. Product also qualifies as manufactured in the United States under DOT Buy America regulations.

BABA – Build America Buy America: Product qualifies as produced in the United States under the definitions of the Build America, Buy America Act. Please refer to www.acuitybrands.com/resources/buy-american for additional information.

WARRANTY: 5-year limited warranty. This is the only warranty provided and no other statements in this specification sheet create any warranty of any kind. All other express and implied warranties are disclaimed. Complete warranty terms located at: www.acuitybrands.com/support/warranty/terms-and-conditions

Consult factory for details.

NOTE: Actual performance may differ as a result of end-user environment and application. All values are design or typical values, measured under laboratory conditions at 25 °C. Specifications subject to change without notice.