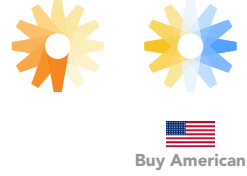


Gotham Architectural Downlighting  
LED Downlights

**4" EVO® nTune™**

Wallwash  
Tunable White  
Warm Dimming

Solid-State Dynamic Lighting



FEATURES

**INTENDED USE**

An economical Tunable White solution that reproduces natural light patterns and colors, complements materials, and supports productivity.

**OPTICAL SYSTEM**

- Self-flanged or flangeless semi-specular, matte-diffuse or specular finishing trim
- Patented Bounding Ray™ Optical Principle design (U.S. Patent No. 5,800,050) provides 45° cut-off to source and source image for a smooth and continuous transition from lensed source to the top of the reflector down to the bottom of the reflector.
- Top-down flash characteristic
- Polycarbonate lens integral to light engine

**MECHANICAL SYSTEM**

- 16-gauge galvanized steel construction; maximum 1-1/2" ceiling thickness
- Telescopic mounting bars maximum of 32" and minimum of 15", preinstalled, 4" vertical adjustment
- Toolless adjustments post installation
- Junction box capacity: 8 (4 in, 4 out ) 12AWG rated for 90°C
- Light engine and driver accessible through aperture

**ELECTRICAL SYSTEM**

- Fully serviceable lensed LED light engine
- Rated 65,000 hours (L80) at 25°C ambient temperature
- Tested according to LM-79 and LM-80 standards
- Overload and short circuit protected
- Dim to Dark 100% - 0.1%

**LISTINGS**

- Fixtures are CSA certified to meet US and Canadian standards; wet location, covered ceiling

**BUY AMERICAN**

- This product is assembled in the USA and meets the Buy America(n) government procurement requirements under FAR, DFARS and DOT. Please refer to [www.acuitybrands.com/buy-american](http://www.acuitybrands.com/buy-american) for additional information.

**WARRANTY**

5-year limited warranty. Complete warranty terms located at: [www.acuitybrands.com/CustomerResources/Terms\\_and\\_conditions.aspx](http://www.acuitybrands.com/CustomerResources/Terms_and_conditions.aspx)

**Note:**

Actual performance may differ as a result of end user environment and application. All values are design or typical values, measured under laboratory conditions at 25 °C.

**EXAMPLE: EV04WW TUWH PROR/07 PRFL LSS MVOLT NLT**

Series	Dynamic Feature	Dynamic Range <sup>1</sup>	Nominal lumens values <sup>2</sup>	Reflector/Flange Color	Trim Style	
EV04WW 4" Round Wallwash	TUWH Tunable White	PROR Productivity Range (3000K-5000K)	/07 750 lumens /10 1000 lumens	AR Clear PR Pewter	(blank) Self- flanged	
		RHYR Rhythm Range (2700K-6500K)	/15 1500 lumens /20 2000 lumens			WR <sup>3</sup> White painted BR <sup>3</sup> Black painted
	WDIM Warm Dimming	HALR Halogen Range (3000K-1800K)	/25 2500 lumens /30 3000 lumens	WTR Wheat GR Gold	WRAMF White painted antimicrobial finish	FL Flangeless

ORDERING INFORMATION

Aperture Finish	Voltage	Control Interface Type	Options
LSS Semi-specular LD Matte-diffuse LS Specular	MVOLT 120 120V 277 277V 347 347V	NLT <sup>4</sup> nLight nTune interface NLTER <sup>4</sup> nLight nTune interface with emergency circuit ZT 0-10V dimming EDAB eldoLED DALI. Logarithmic dimming to <1%.	SF Single fuse TRW <sup>5,6</sup> White painted flange TRBL <sup>6,7</sup> Black painted flange 90CRI High CRI (90+) E10WCP Emergency battery pack, 10W Constant Power, CA Title 20 compliant with integral test switch E10WCPR Emergency battery pack, 10W Constant Power, CA Title 20 compliant with remote test switch CP <sup>8</sup> Chicago Plenum BGTD Bodine Generator Transfer Device

ACCESSORIES

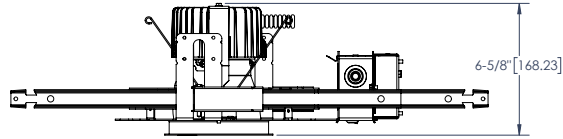
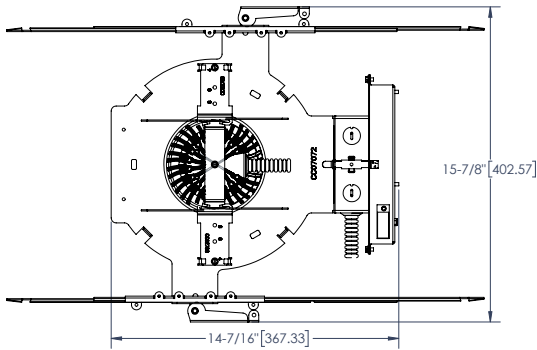
ACCESSORIES order as separate catalog numbers (shipped separately)

SCA4	Sloped ceiling adapter. Degree of slope must be specified (5D, 10D, 15D, 20D, 25D, 30D). Ex: SCA4 10D. Refer to <a href="#">TECH-190</a> .
CTA4-8 YK	Ceiling thickness adapter (extends mounting frame to accommodate ceiling thickness up to 5"). Adds 1" to fixture height.
FCS 7TSN XXX	Fresco Lighting Control with DMX and ethernet; XXX = Color. Refer to <a href="#">FRESCO</a> spec sheet for additional options.
nPODM 2P DX CCT XX	nLight 2 Channels, On/off + raise/lower control, CCT, XX = Color. Refer to <a href="#">nLight</a> .
nPODM 4S DX XX	nLight 4 Scene Control, On/off + raise/lower control, XX = Color. Refer to <a href="#">nLight</a> .
nPODM 4S XX	nLight 4 Scene Control, XX = Color. Refer to <a href="#">nLight</a> .

DIMENSIONAL DATA

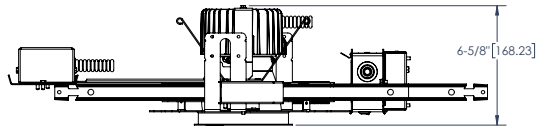
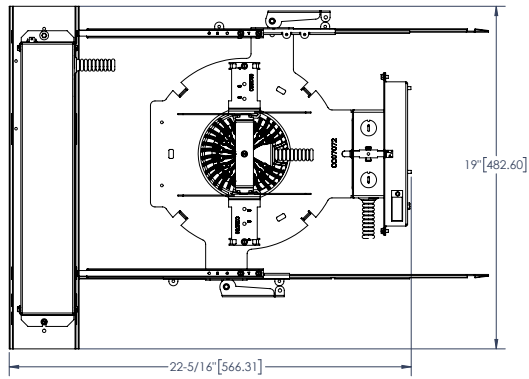
All dimensions are inches (centimeters) unless otherwise noted.

**STANDARD DIMENSIONS**



Aperture: 4-5/16" (11)  
 Ceiling Opening: 5-1/8" (13)  
 Overlap trim: 5-7/16" (13.8)

**BATTERYPACK DIMENSIONS**



DYNAMIC SPECIFICATIONS

NOTES

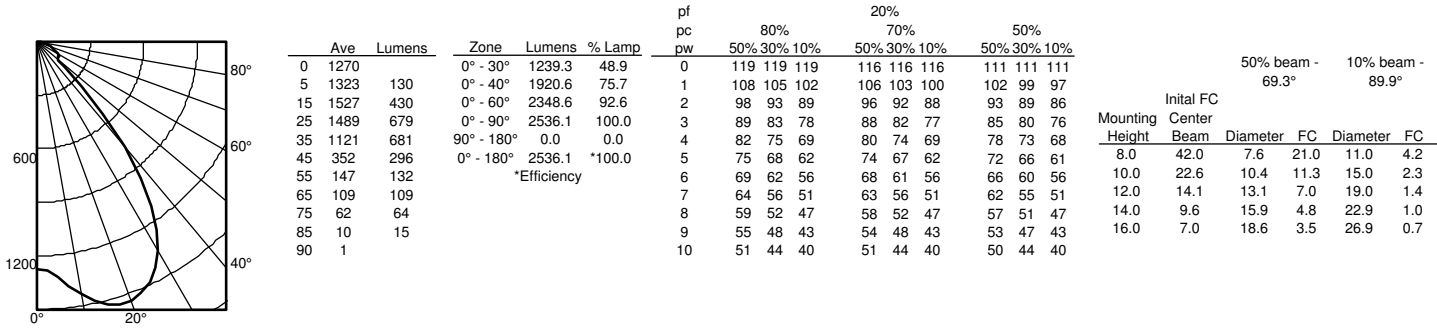
**ORDERING NOTES**

- |   |  |
|---|--|
| 1. PROR and RHYR available only with TUWH. HALR available only with WDIM. | 6. Not available with FL.  |
| 2. Nominal lumen values when tested at 3500K.                             | 7. Not available with black reflector.   |
| 3. Not available with aperture finishes.                                  | 8. Voltage-specific (120 or 277V). Not available with E10WCPR remote test switch battery pack. |
| 4. Requires power from nLight network bridge or nPS 80.                   |  |
| 5. Not available with white reflector.                                    |  |

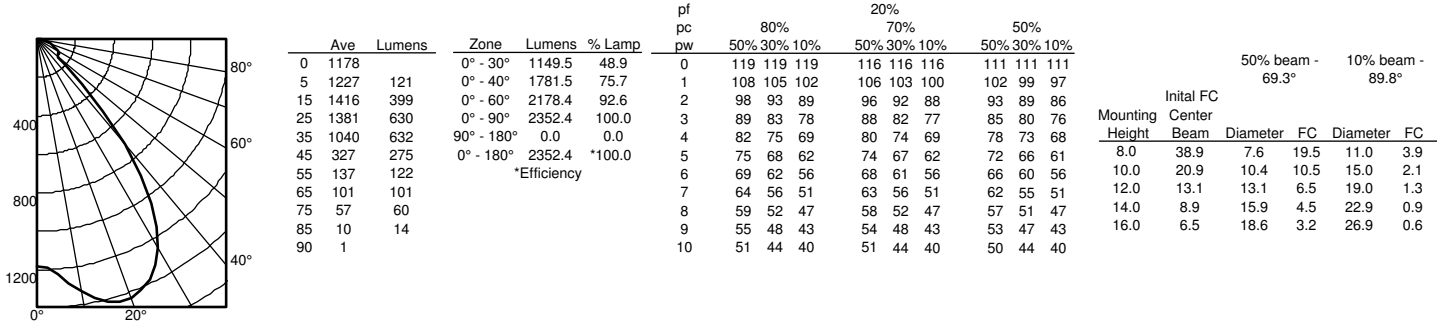
PHOTOMETRY

Distribution Curve      Distribution Data      Output Data      Coefficient of Utilization

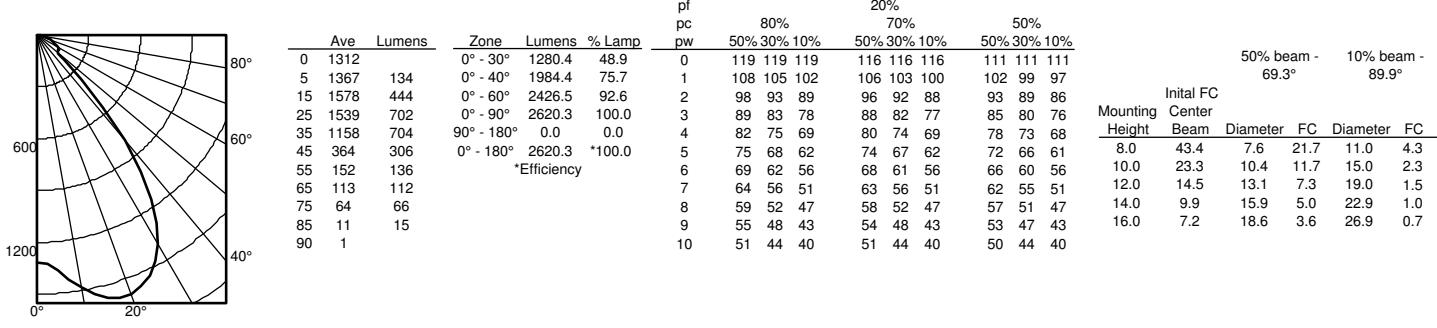
**EVO4WW TUWH RHYR /30 4AR LS CRI80 2700K**      INPUT WATTS: 29.5, DELIVERED LUMENS: 2536, LM/W=85.9 , WALLWASH, TEST NO. 19-102-B01P61



**EVO4WW TUWH RHYR /30 4AR LS CRI80 3500K**      INPUT WATTS: 29.5, DELIVERED LUMENS: 2352, LM/W=98.3 , WALLWASH, TEST NO. 19-102-B01P63



**EVO4WW TUWH RHYR /30 4AR LS CRI80 6500K**      INPUT WATTS: 29.5, DELIVERED LUMENS: 2620, LM/W=109.5 , WALLWASH, TEST NO. 19-102-B01P66

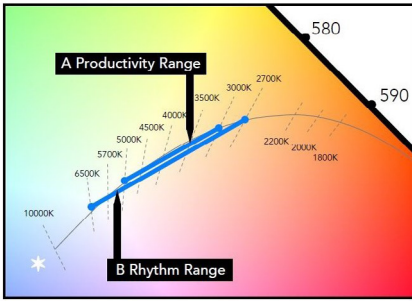


FINISH	Clear (AR)	Pewter (PR)	Wheat (WTR)	Gold (GR)	White (WR/WRAMF)	Black (BR)
Specular (LS)	1.00	0.88	0.83	0.95	N/A	N/A
Semi-Specular (LSS)	0.95	0.84	0.79	0.90	N/A	N/A
Matte Diffuse (LD)	0.85	0.73	0.69	0.80	N/A	N/A
Paint	N/A	N/A	N/A	N/A	0.87	0.73

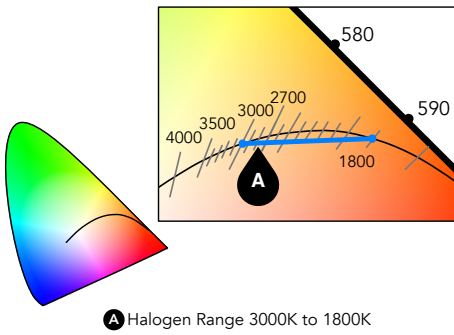
**PHOTOMETRY NOTES**

- Tested in accordance with IESNA LM-79-08.
- Tested to current IES and NEMA standards under stabilized laboratory conditions.
- Typical CRI of 90 at 3000K.

MAINSTREAM DYNAMIC TUNABLE WHITE WITH NTUNE TECHNOLOGY



- A** Productivity Range 3000K to 5000K
- B** Rhythm Range 2700K to 6500K



- A** Halogen Range 3000K to 1800K

Tunable white nTune™ is an all digital light color temperature control within an nLight enabled luminaire. This brings tunable white lighting control into the mainstream with repeatable, consistent results in an economical luminaire form and system already familiar to schools. Designers and facility operators are granted the freedom to tie scenes to specific activities or to complement colors or materials within a visual environment. nTune™ allows color temperature settings through the Productivity Range of 3000K to 5000K or Rhythm Range of 2700K to 6500K. Refer to nLight Programming User's Guide for instructions on customizing to your application with SensorView™.

**TUNABLE WHITE GPHD**

**Gamut:** One dimensional warm-Cool  
**Path:** Direct 3000K to 5000K (Productivity Range) or 2700K to 6500K (Rhythm Range)  
**Handle:** Two Natural Language Handles: Intensity and CCT  
**Data:** nLight with nTune technology for both handles of control

TYPICAL NLIGHT NETWORK LAYOUT

