

Catalog Number	
Notes	Type

# MGLED

## Mongoose Large LED



The Mongoose LED offset roadway and area lighting product provides significant energy and maintenance savings vs. HID luminaires. It offers the ultimate in application flexibility with a uniquely designed advanced optical system and attractive appearance. This combined with multiple lighting distributions, mounting options and the ability to tilt the fixture offers unequalled performance in a diverse set of applications ranging from interstates and parking lots.

### Mechanical

- Rugged grade A360 diecast aluminum (<1% copper)
- Tool-less access with stainless steel latches
- Rigorous 5-stage pretreatment, epoxy basecoat and polyester topcoat to ensure maximum durability
- Finish yields a finish that achieves a scribe creepage rating of 8 after 5,000 hours of salt spray
- Removable "power door" facilitates product installation and maintenance
- Corrosion resistant stainless-steel latches ensure secure closure over the long fixture life
- Multiple mounting configurations allow for attachment to horizontal mast arms (MA), vertical tenon (VT), architectural mounting to square poles (SPA) and universal mounting to round and square poles (UN)
- All Mountings are 3G vibration rated per ANSI C136.31
- Adjustable fixture tilt from 0-45 degrees provides flexibility to optimize lighting performance

### Electrical

- Standard surge protection is 20kV/10kA "Extreme Level" per ANSI C136.2
- LED light engines are rated > 100,000 at 25°C, L70
- Electronic driver has an expected life of > 100,000 hours at 25°C
- Rated for -40°C / -40°F minimum ambient
- Programmable electronic driver with 0-10V control leads
- Driver voltage options: 120-277V 50/60 Hz and 347 50/60 Hz and 480V 50/60 Hz

### Optical

- Performance is comparable to 400-1000 watt HID
- IP66 rated borosilicate glass optics ensure longevity and minimize dirt depreciation

- 3000K, 4000K and 5000K CCT, 70 CRI
- Distribution options: Narrow Roadway (NR), Medium Roadway (MR), Wide Roadway (WR), Forward Throw (FT), and Area Type (AR)
- Optional Uplight Skirt (US) ensures no light above 90°
- House side shield (HSS) option available

### Controls

- 7 pin NEMA photocontrol receptacle
- Premium solid-state locking-style photocontrol (PCSS) – 10 year rated life
- Extreme long life solid state locking-style photocontrol (PCLL) – 20 year rated life
- Field adjustable output
- nLight Air motion and daylight sensor
- Programmable motion and daylight sensor

### Certification & Standards

- CSA Certified to US and Canadian standards
- Suitable for operation in an ambient temperature up to 40°C / 104°F for standard product
- Designlights Consortium® (DLC) qualified product. Not all versions of this product may be DLC qualified. Please check the DLC Qualified Products List at [www.designlights.org/QPL](http://www.designlights.org/QPL) to confirm which versions are qualified.
- LM-79 compliant
- The projected LED Lumen Maintenance shall be based only on IES LM-80-08 and TM-21

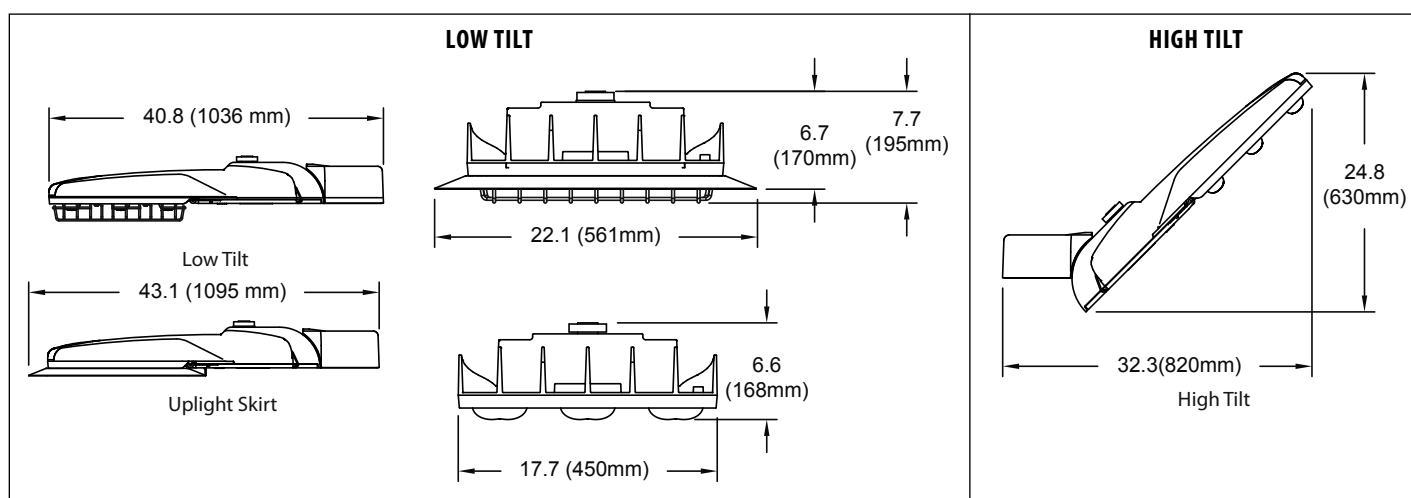
### Warranty

5-year limited warranty. Complete warranty terms located at: [www.acuitybrands.com/support/customer-support/terms-and-conditions](http://www.acuitybrands.com/support/customer-support/terms-and-conditions)

**Note:** Actual performance may differ as a result of end-user environment and application. All values are design or typical values, measured under laboratory conditions at 25°C



## DIMENSIONAL DATA



Maximum Weight - 55 lbs  
 Maximum Effective Projected Area:  
 Low Tilt = 1.20 sq. ft.  
 High Tilt = 3.25 sq. ft.

**ORDERING INFORMATION**

**Example:** MGLED P2 40K MVOLT FT LT UN GRSD

Series	LED performance package	Color temperature	Voltage	Optics	Tilt Range
MGLED Mongoose Large	P1 35,000 nominal lumens	30K 3,000 K CCT	MVOLT Auto-sensing voltage (120 thru 277)	NR Narrow Roadway	HT HIGH (27°-45°)
	P2 41,000 nominal lumens	40K 4,000 K CCT	347 347 Volt	MR Medium Roadway	LT LOW (1°-18°)
	P3 45,000 nominal lumens	50K 5,000 K CCT	480 480 Volt	WR Wide Roadway	
	P4 50,000 nominal lumens			FT Forward Throw (Type 4)	
	P5 55,000 nominal lumens			AR Area (Type 5)	
	P6 60,000 nominal lumens				
	P7 64,000 nominal lumens				

Mounting	Super Durable Paint	Options
VT Veritac Tenon MA Horizontal Arm SPA Architectural UN Universal (Rd. & Sq)	GRSD Vitracoat Gray GHSD Vitracoat Graphite BKSD Vitracoat Black GNSD Vitracoat Green WHSD Vitracoat White BZSD Vitracoat Bronze	<u>Adjustable/Programmable Options</u> AO Field Adjustable Output  <u>Control Options</u> PCLL DTL Extreme Long Life Twistlock Photocontrol for Solid State (20 year rated life) PCSS DSS Premium Twistlock Photocontrol for Solid State (10 year rated life) POC2 <sup>1</sup> Programmable occ. and daylight sensor, for mounting applications up to 20' POC4 <sup>1</sup> Programmable occ. and daylight sensor, for mounting applications between 20' & 40' RSDGR nLight Air Occ. and daylight sensor  <u>NEMA Label Options</u> NL NEMA LABEL  <u>NEMA Receptacle Options</u> PR7 7-pin Photocontrol Receptacle  <u>Shielding Options</u> US Uplight Skirt HSS House Side Shield  <u>Shorting Cap Option</u> SH SHORTING CAP

Accessories: Order as separate catalog number.	
<u>Wire Guard Kit</u>	
MGLED WG	Mongoose Large Wire Guard Kit
<u>Uplight Skirt</u>	
MGLED US GRSD	Mongoose Large Uplight Skirt, Vitracoat Gray
MGLED US GHSD	Mongoose Large Uplight Skirt, Vitracoat Graphite
MGLED US BKSD	Mongoose Large Uplight Skirt, Vitracoat Black
MGLED US GNSD	Mongoose Large Uplight Skirt, Vitracoat Green
MGLED US WHSD	Mongoose Large Uplight Skirt, Vitracoat White
MGLED US BZSD	Mongoose Large Uplight Skirt, Vitracoat Bronze
<u>House Side Shield</u>	
MGLED HSS	Mongoose Large House Side Shield

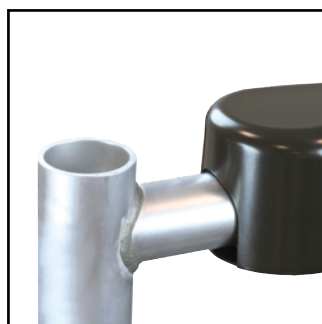
**Notes**

1 For custom programming of the sensor, a wireless handheld configuration tool, Part No. FSIR-100 should be purchased, either from Legrand, or from Acuity (by special request).

**MOUNTING OPTIONS**



**Vertical Tenon Mount - VT**  
Attaches to 2" vertical tenon (2 3/8" O.D.)



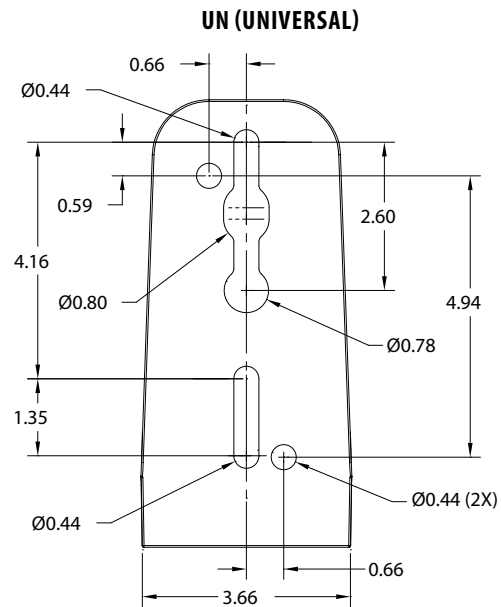
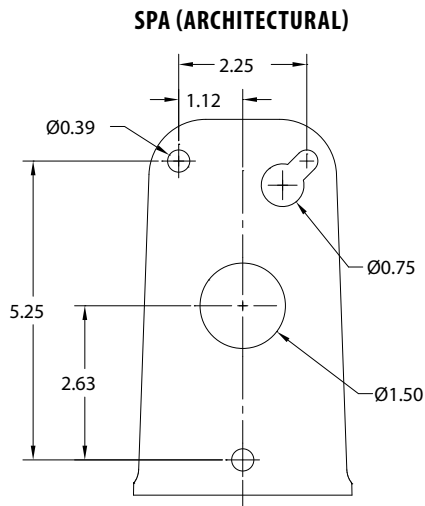
**Horizontal Arm Mount - MA**  
Attaches to 2" horizontal mast arm (2 3/8" O.D.)



**Architectural Mount - SPA**  
Attaches to square pole



**Universal Mount - UN**  
Attaches to square or 3" minimum round pole



**OPTIONS MATRIX**

Mounting	SELECTED OPTION (start here)								
	AO	PR7	PCLL	PCSS	POC2	POC4	RSDGR	SH	
Controls	AO	Y	Y	Y	N	N	N	N	Y
	PR7	Y	Y	Y	N	N	N	N	Y
	PCLL	Y	Y	N	N	N	N	N	N
	PCSS	Y	Y	N	N	N	N	N	N
	POC2	N	N	N	N	N	N	N	N
	POC4	N	N	N	N	N	N	N	N
	RSDGR	N	N	N	N	N	N	N	N
	SH	Y	Y	N	N	N	N	N	N
Voltage	MVOLT	Y	Y	Y	Y	Y	Y	Y	Y
	347	Y	Y	Y	N	Y	Y	Y	Y
	480	Y	Y	Y	N	Y	Y	Y	Y
Performance Packages	P1	Y	Y	Y	Y	Y	Y	Y	Y
	P2	Y	Y	Y	Y	Y	Y	Y	Y
	P3	Y	Y	Y	Y	Y	Y	Y	Y
	P4	Y	Y	Y	Y	Y	Y	Y	Y
	P5	Y	Y	Y	Y	Y	Y	Y	Y
	P6	Y	Y	Y	Y	N	N	N	Y
	P7	Y	Y	Y	Y	N	N	N	Y

Y = Valid Option Combination  
 N = Combination Not available

**LUMEN AMBIENT TEMPERATURE (LAT) MULTIPLIERS**

Use these factors to determine relative lumen output for average ambient temperatures from 0-40°C (32-104°F).

Average Lumen Ambient Temperature (LAT) Multipliers								
°C	°F	P1	P2	P3	P4	P5	P6	P7
0	32	1.04	1.04	1.05	1.05	1.06	1.06	1.07
5	41	1.03	1.04	1.04	1.04	1.05	1.05	1.06
10	50	1.03	1.03	1.03	1.03	1.03	1.04	1.04
15	59	1.02	1.02	1.02	1.02	1.02	1.03	1.03
20	68	1.01	1.01	1.01	1.01	1.01	1.01	1.01
25	77	1.00	1.00	1.00	1.00	1.00	1.00	1.00

PERFORMANCE DATA

Performance Package	Distribution	Input Watts	30K (3000K CCT, 70 CRI)					40K (4000K CCT, 70 CRI)					50K (5000K CCT, 70 CRI)					LLD @ 25°C		
			Lumens	LPW	B	U	G	Lumens	LPW	B	U	G	Lumens	LPW	B	U	G	50k Hours	75k Hours	100k Hours
P1	AR	246	36,673	149	5	3	4	37,830	154	5	3	4	37,830	154	5	3	4	0.90	0.87	0.84
	FT		33,438	136	4	3	5	34,493	140	4	3	5	34,493	140	4	3	5			
	MR		35,102	143	3	3	5	36,209	147	3	3	5	36,209	147	3	3	5			
	NR		35,758	145	3	0	4	36,886	150	3	0	4	36,886	150	3	0	4			
	WR		35,119	143	4	0	5	36,227	147	4	0	5	36,227	147	4	0	5			
P2	AR	295	42,322	143	5	3	4	43,657	148	5	3	4	43,657	148	5	3	4	0.90	0.86	0.83
	FT		38,589	131	4	3	5	39,806	135	4	3	5	39,806	135	4	3	5			
	MR		40,509	137	4	3	5	41,786	142	4	3	5	41,786	142	4	3	5			
	NR		41,266	140	3	0	5	42,568	144	3	0	5	42,568	144	3	0	5			
	WR		40,529	137	4	0	5	41,807	142	4	0	5	41,807	142	4	0	5			
P3	AR	337	47,111	140	5	3	4	48,597	144	5	3	4	48,597	144	5	3	4	0.90	0.86	0.83
	FT		42,955	127	4	3	5	44,310	131	4	3	5	44,310	131	4	3	5			
	MR		45,092	134	4	3	5	46,515	138	4	3	5	46,515	138	4	3	5			
	NR		45,935	136	4	0	5	47,384	141	4	0	5	47,384	141	4	0	5			
	WR		45,115	134	4	0	5	46,538	138	4	0	5	46,538	138	4	0	5			
P4	AR	392	52,424	134	5	3	4	54,078	138	5	3	5	54,078	138	5	3	5	0.90	0.86	0.83
	FT		47,800	122	4	3	5	49,307	126	4	3	5	49,307	126	4	3	5			
	MR		50,178	128	4	3	5	51,761	132	4	3	5	51,761	132	4	3	5			
	NR		51,116	130	4	0	5	52,728	135	4	0	5	52,728	135	4	0	5			
	WR		50,203	128	4	0	5	51,787	132	4	0	5	51,787	132	4	0	5			
P5	AR	442	55,004	124	5	3	5	56,738	128	5	3	5	56,738	128	5	3	5	0.90	0.86	0.83
	FT		50,152	113	4	3	5	51,733	117	4	3	5	51,733	117	4	3	5			
	MR		52,647	119	4	3	5	54,307	123	4	3	5	54,307	123	4	3	5			
	NR		53,631	121	4	0	5	55,323	125	4	0	5	55,323	125	4	0	5			
	WR		52,673	119	4	0	5	54,335	123	4	0	5	54,335	123	4	0	5			
P6	AR	507	59,442	117	5	3	5	61,317	121	5	3	5	61,317	121	5	3	5	0.90	0.86	0.83
	FT		54,199	107	4	3	5	55,908	110	4	3	5	55,908	110	4	3	5			
	MR		56,896	112	4	3	5	58,690	116	4	3	5	58,690	116	4	3	5			
	NR		57,959	114	4	0	5	59,787	118	4	0	5	59,787	118	4	0	5			
	WR		56,924	112	4	0	5	58,720	116	4	0	5	58,720	116	4	0	5			
P7	AR	571	63,932	126	5	3	5	65,948	130	5	3	5	65,948	130	5	3	5	0.90	0.86	0.83
	FT		58,292	115	4	3	5	60,131	119	4	3	5	60,131	119	4	3	5			
	MR		61,192	121	4	3	5	63,122	125	4	3	5	63,122	125	4	3	5			
	NR		62,336	123	4	0	5	64,302	127	4	0	5	64,302	127	4	0	5			
	WR		61,223	121	4	0	5	63,154	125	4	0	5	63,154	125	4	0	5			

PERFORMANCE DATA WITH UPLIGHT SKIRT

Performance Package	Distribution	Input Watts	30K (3000K CCT, 70 CRI)					40K (4000K CCT, 70 CRI)					50K (5000K CCT, 70 CRI)					LLD @ 25°C		
			Lumens	LPW	B	U	G	Lumens	LPW	B	U	G	Lumens	LPW	B	U	G	50k Hours	75k Hours	100k Hours
P1	AR	246	36,351	148	5	0	4	37,497	152	5	0	4	37,497	152	5	0	4	0.90	0.87	0.84
	FT		33,339	136	4	0	5	34,390	140	4	0	5	34,390	140	4	0	5			
	MR		35,196	143	3	0	5	36,306	148	3	0	5	36,306	148	3	0	5			
	NR		35,858	146	3	0	4	36,989	150	3	0	4	36,989	150	3	0	4			
	WR		35,053	142	4	0	5	36,159	147	4	0	5	36,159	147	4	0	5			
P2	AR	295	41,951	142	5	0	4	43,274	147	5	0	4	43,274	147	5	0	4	0.90	0.86	0.83
	FT		38,474	130	4	0	5	39,688	135	4	0	5	39,688	135	4	0	5			
	MR		40,617	138	3	0	5	41,899	142	4	0	5	41,899	142	4	0	5			
	NR		41,381	140	3	0	4	42,687	145	3	0	4	42,687	145	3	0	4			
	WR		40,453	137	4	0	5	41,729	141	4	0	5	41,729	141	4	0	5			
P3	AR	337	46,697	139	5	0	4	48,170	143	5	0	4	48,170	143	5	0	4	0.90	0.86	0.83
	FT		42,828	127	4	0	5	44,179	131	4	0	5	44,179	131	4	0	5			
	MR		45,213	134	4	0	5	46,639	138	4	0	5	46,639	138	4	0	5			
	NR		46,064	137	4	0	4	47,517	141	4	0	5	47,517	141	4	0	5			
	WR		45,030	134	4	0	5	46,451	138	4	0	5	46,451	138	4	0	5			
P4	AR	392	51,964	133	5	0	4	53,603	137	5	0	4	53,603	137	5	0	4	0.90	0.86	0.83
	FT		47,658	122	4	0	5	49,161	125	4	0	5	49,161	125	4	0	5			
	MR		50,313	128	4	0	5	51,900	132	4	0	5	51,900	132	4	0	5			
	NR		51,259	131	4	0	5	52,876	135	4	0	5	52,876	135	4	0	5			
	WR		50,109	128	4	0	5	51,689	132	4	0	5	51,689	132	4	0	5			
P5	AR	442	54,521	123	5	0	5	56,240	127	5	0	5	56,240	127	5	0	5	0.90	0.86	0.83
	FT		50,003	113	4	0	5	51,580	117	4	0	5	51,580	117	4	0	5			
	MR		52,788	119	4	0	5	54,453	123	4	0	5	54,453	123	4	0	5			
	NR		53,781	122	4	0	5	55,477	126	4	0	5	55,477	126	4	0	5			
	WR		52,574	119	4	0	5	54,232	123	4	0	5	54,232	123	4	0	5			
P6	AR	507	58,921	116	5	0	5	60,779	120	5	0	5	60,779	120	5	0	5	0.90	0.86	0.83
	FT		54,038	107	4	0	5	55,743	110	4	0	5	55,743	110	4	0	5			
	MR		57,048	113	4	0	5	58,848	116	4	0	5	58,848	116	4	0	5			
	NR		58,121	115	4	0	5	59,954	118	4	0	5	59,954	118	4	0	5			
	WR		56,817	112	4	0	5	58,609	116	4	0	5	58,609	116	4	0	5			
P7	AR	571	63,370	125	5	0	5	65,369	129	5	0	5	65,369	129	5	0	5	0.90	0.86	0.83
	FT		58,119	115	4	0	5	59,952	118	5	0	5	59,952	118	5	0	5			
	MR		61,357	121	4	0	5	63,292	125	4	0	5	63,292	125	4	0	5			
	NR		62,511	123	4	0	5	64,482	127	4	0	5	64,482	127	4	0	5			
	WR		61,108	121	4	0	5	63,035	124	4	0	5	63,035	124	4	0	5			

PERFORMANCE DATA WITH HOUSE SIDE SHIELD

Performance Package	Distribution	Input Watts	30K (3000K CCT, 70 CRI)					40K (4000K CCT, 70 CRI)					50K (5000K CCT, 70 CRI)					LLD @ 25°C		
			Lumens	LPW	B	U	G	Lumens	LPW	B	U	G	Lumens	LPW	B	U	G	50k Hours	75k Hours	100k Hours
P1	AR	246	35,756	145	5	3	5	36,884	150	5	3	5	36,884	150	5	3	5	0.90	0.87	0.84
	FT		32,736	133	4	3	5	33,768	137	4	3	5	33,768	137	4	3	5			
	MR		34,294	139	3	3	5	35,376	144	3	3	5	35,376	144	3	3	5			
	NR		35,043	142	3	3	4	36,148	147	3	3	4	36,148	147	3	3	4			
	WR		34,593	141	3	3	5	35,684	145	3	3	5	35,684	145	3	3	5			
P2	AR	295	41,264	140	5	3	5	42,566	144	5	3	5	42,566	144	5	3	5	0.90	0.86	0.83
	FT		37,778	128	4	3	5	38,970	132	4	3	5	38,970	132	4	3	5			
	MR		39,577	134	3	3	5	40,825	138	3	3	5	40,825	138	3	3	5			
	NR		40,441	137	3	3	4	41,716	141	3	3	4	41,716	141	3	3	4			
	WR		39,921	135	4	3	5	41,180	140	4	3	5	41,180	140	4	3	5			
P3	AR	337	45,933	136	5	4	5	47,382	141	5	4	5	47,382	141	5	4	5	0.90	0.86	0.83
	FT		42,053	125	4	3	5	43,380	129	4	3	5	43,380	129	4	3	5			
	MR		44,055	131	4	3	5	45,445	135	4	3	5	45,445	135	4	3	5			
	NR		45,017	134	4	3	5	46,437	138	4	3	5	46,437	138	4	3	5			
	WR		44,439	132	4	3	5	45,840	136	4	3	5	45,840	136	4	3	5			
P4	AR	392	51,114	130	5	4	5	52,726	135	5	4	5	52,726	135	5	4	5	0.90	0.86	0.83
	FT		46,796	119	4	3	5	48,272	123	4	3	5	48,272	123	4	3	5			
	MR		49,024	125	4	3	5	50,570	129	4	3	5	50,570	129	4	3	5			
	NR		50,094	128	4	3	5	51,674	132	4	3	5	51,674	132	4	3	5			
	WR		49,450	126	4	3	5	51,010	130	4	3	5	51,010	130	4	3	5			
P5	AR	442	53,629	121	5	4	5	55,320	125	5	4	5	55,320	125	5	4	5	0.90	0.86	0.83
	FT		49,098	111	4	3	5	50,647	115	4	3	5	50,647	115	4	3	5			
	MR		51,436	116	4	3	5	53,058	120	4	3	5	53,058	120	4	3	5			
	NR		52,559	119	4	3	5	54,216	123	4	3	5	54,216	123	4	3	5			
	WR		51,883	117	4	3	5	53,520	121	4	3	5	53,520	121	4	3	5			
P6	AR	507	57,957	114	5	4	5	59,784	118	5	4	5	59,784	118	5	4	5	0.90	0.86	0.83
	FT		53,061	105	4	4	5	54,734	108	4	4	5	54,734	108	4	4	5			
	MR		55,587	110	4	3	5	57,340	113	4	3	5	57,340	113	4	3	5			
	NR		56,800	112	4	3	5	58,592	116	4	3	5	58,592	116	4	3	5			
	WR		56,071	111	4	3	5	57,839	114	4	3	5	57,839	114	4	3	5			
P7	AR	571	62,333	123	5	4	5	64,299	127	5	4	5	64,299	127	5	4	5	0.90	0.86	0.83
	FT		57,068	113	5	4	5	58,868	116	5	4	5	58,868	116	5	4	5			
	MR		59,785	118	4	3	5	61,670	122	4	3	5	61,670	122	4	3	5			
	NR		61,090	120	4	3	5	63,016	124	4	3	5	63,016	124	4	3	5			
	WR		60,305	119	4	3	5	62,207	123	4	3	5	62,207	123	4	3	5			

PERFORMANCE DATA WITH UPLIGHT SKIRT & HOUSE SIDE SHIELD

Performance Package	Distribution	Input Watts	30K (3000K CCT, 70 CRI)					40K (4000K CCT, 70 CRI)					50K (5000K CCT, 70 CRI)					LLD @ 25°C		
			Lumens	LPW	B	U	G	Lumens	LPW	B	U	G	Lumens	LPW	B	U	G	50k Hours	75k Hours	100k Hours
P1	AR	246	35,793	146	5	3	5	36,922	150	5	3	5	36,922	150	5	3	5	0.90	0.87	0.84
	FT		32,769	133	4	3	5	33,803	137	4	3	5	33,803	137	4	3	5			
	MR		34,400	140	3	0	4	35,484	144	3	0	4	35,484	144	3	0	4			
	NR		35,150	143	3	0	4	36,259	147	3	0	4	36,259	147	3	0	4			
	WR		34,663	141	3	0	5	35,756	145	3	0	5	35,756	145	3	0	5			
P2	AR	295	41,306	140	5	3	5	42,609	144	5	3	5	42,609	144	5	3	5	0.90	0.86	0.83
	FT		37,817	128	4	3	5	39,010	132	4	3	5	39,010	132	4	3	5			
	MR		39,698	135	3	0	5	40,951	139	3	0	5	40,951	139	3	0	5			
	NR		40,565	138	3	0	4	41,844	142	3	0	4	41,844	142	3	0	4			
	WR		40,002	136	4	0	5	41,264	140	4	0	5	41,264	140	4	0	5			
P3	AR	337	45,980	136	5	3	5	47,431	141	5	3	5	47,431	141	5	3	5	0.90	0.86	0.83
	FT		42,096	125	4	3	5	43,424	129	4	3	5	43,424	129	4	3	5			
	MR		44,190	131	4	0	5	45,584	135	4	0	5	45,584	135	4	0	5			
	NR		45,155	134	4	0	4	46,579	138	4	0	4	46,579	138	4	0	4			
	WR		44,529	132	4	0	5	45,933	136	4	0	5	45,933	136	4	0	5			
P4	AR	392	51,166	131	5	3	5	52,780	135	5	3	5	52,780	135	5	3	5	0.90	0.86	0.83
	FT		46,844	120	4	3	5	48,321	123	4	3	5	48,321	123	4	3	5			
	MR		49,174	125	4	0	5	50,725	129	4	0	5	50,725	129	4	0	5			
	NR		50,247	128	4	0	5	51,832	132	4	0	5	51,832	132	4	0	5			
	WR		49,551	126	4	0	5	51,114	130	4	0	5	51,114	130	4	0	5			
P5	AR	442	53,684	121	5	3	5	55,377	125	5	3	5	55,377	125	5	3	5	0.90	0.86	0.83
	FT		49,149	111	4	3	5	50,699	115	4	3	5	50,699	115	4	3	5			
	MR		51,594	117	4	0	5	53,221	120	4	0	5	53,221	120	4	0	5			
	NR		52,719	119	4	0	5	54,382	123	4	0	5	54,382	123	4	0	5			
	WR		51,989	118	4	0	5	53,629	121	4	0	5	53,629	121	4	0	5			
P6	AR	507	58,016	114	5	3	5	59,846	118	5	3	5	59,846	118	5	3	5	0.90	0.86	0.83
	FT		53,115	105	4	3	5	54,790	108	5	3	5	54,790	108	5	3	5			
	MR		55,758	110	4	0	5	57,516	113	4	0	5	57,516	113	4	0	5			
	NR		56,974	112	4	0	5	58,771	116	4	0	5	58,771	116	4	0	5			
	WR		56,184	111	4	0	5	57,957	114	4	0	5	57,957	114	4	0	5			
P7	AR	571	62,397	123	5	3	5	64,365	127	5	3	5	64,365	127	5	3	5	0.90	0.86	0.83
	FT		57,126	113	5	3	5	58,928	116	5	3	5	58,928	116	5	3	5			
	MR		59,968	118	4	0	5	61,860	122	4	0	5	61,860	122	4	0	5			
	NR		61,277	121	4	0	5	63,209	125	4	0	5	63,209	125	4	0	5			
	WR		60,428	119	4	0	5	62,333	123	4	0	5	62,333	123	4	0	5			