

OVERVIEW

The nPODMA Series WallPods are single gang nLight-enabled decorator wall switches that enable toggle/lower nLight devices, via CAT-5e cable, through RJ-45 connectors and can be daisy-chained to work with nLight power packs and/or nLight-enabled fixtures to provide switch control operations.

The scene control option presents a convenient method of selecting a custom lighting control scene for spaces in which installed, or requesting a global profile scene be run across several remote zones. By default, scene control wall switches are configured as on/off toggle switches and are to be customized programmatically through the SensorView software.

*In order to utilize a blink warning, system gateway and additional programming is required.

FEATURES

- Communicates with nLight network
- Remotely configurable/upgradeable
- Soft-click push-button control
- Sets lights to one of two or four preset levels with single button push (nPODMA xL versions only)
- Scene controllers run locally stored scenes or global scenes (stored on gateway)
 - Capable of Programming 4 Different Scene Types
 - Local "Profile" Scene – Modifies the operational configuration of up to 80 devices in the local zone. Stopping scene will revert devices to default settings.
 - Local "Preset" Scene – Modifies on/off/dim levels for up to 16 local switch groups. Exit scene through additional "preset" scene or WallPod control.
 - Global "Profile" Scene – Modifies the operational configuration of any devices on the system. Stopping scene will revert devices to default settings. Scene is stored on the system Gateway.
 - Global "Preset" Scene – Modifies on/off/dim levels for up to 128 global switch groups. Exit scene through additional "preset" scene or WallPod control.
- Easy-to-install screwless wall plate design offers a clean, uninterrupted aesthetic for a more refined look in the space.
- A full range of color options provides a variety of choices for your building designs with the assurance that the housing and the wall plate match.
- 1, 2, or 4 channel on/off
- 1, 2, or 4 channel raise/lower
- "Dynamic" options for custom button names when pairing with Acuity Brands nTUNE fixtures

CUSTOM BUTTON ENGRAVING

- Standard Button labeling is shown on back
- Custom lettering for units can be specified and ordered at: [nGrave Form](#)
- To ensure color uniformity, ordering templates facilitate specifying all buttons on a unit as custom lettered. Replacing single buttons not recommended
- Buttons may ship separately and require field installations

Warranty

Five-year limited warranty. Complete warranty terms located at:

www.acuitybrands.com/support/customer-support/terms-and-conditions

Note: Actual performance may differ as a result of end-user environment and application. Specifications subject to change without notice.



nPODMA

Wallpod: On/Off & On/
Off+Raise/Lower



This item is an A+ capable component, which has been designed and tested to provide out-of-the-box luminaire compatibility with simple commissioning, when included as part of an A+ Certified™ Solution.

To learn more about A+, visit www.acuitybrands.com/aplus.



ORDERING INFORMATION

nPODMA						Example: nPODMA DX WH
Series	Poles & Scenes	Dimming Control	Dynamic	Color	Temp/Humidity	
nPODMA	[blank] None 2P Two channels 4P Four channels 2L ¹ Two levels 2L AB ¹ High/low step control 4L ² Four levels with raise/lower 1SB ¹ 1 Scene control (2 buttons) 2S 2 Scene control (2 buttons) 2SB ¹ 2 Scene control (4 buttons) 4S 4 Scene control (4 buttons) 4SB ¹ 4 Scene control (8 buttons)	[blank] Standard DX On/off + raise/lower control	[blank] Standard CCT ³ Correlated color temperature GRSC ⁵ Grayscale COLOR ⁵ Color control EDUTW ⁴ Tuneable White	WH White IV Ivory GY Gray AL Lt Almond BK Black RD Red	[blank] Normal LT Low temp	

ACCESSORIES					
Series	# of Gangs	Mounting	Color	Packaging	
WS xPODA	1 GNG Single Gang	[blank] Standard	WH White IV Ivory GY Gray AL Lt Almond BK Black RD Red VP Variety Pack	M5 5 Pack M6 ⁶ 6 Pack	

Notes

1. Not available with DX option.
2. Only available with DX option.
3. Only available with 2P DX version.
4. Only available with 4S and 4S DX versions.
5. Only available with 2P DX and 4S DX versions.
6. Only available for Variety Packs.

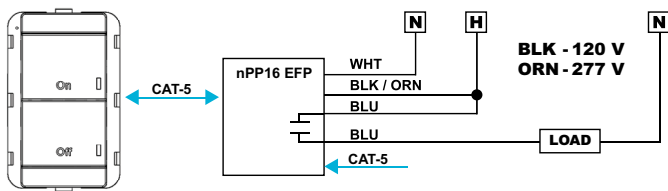
All nPODMA switches are shipped with wall plates, however, the following order information is available to acquire replacement wall plates.

WIRING

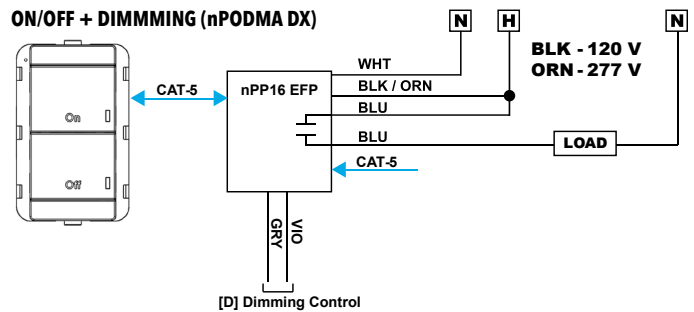
TYPICAL WIRING

Power to WallPod device is provided via the CAT-5e connection to an nLight enabled fixture, nLight power pack (e.g. **nPP16**), power supply (**nPS80**), or Bridge (**nBRG 8**).

ON/OFF

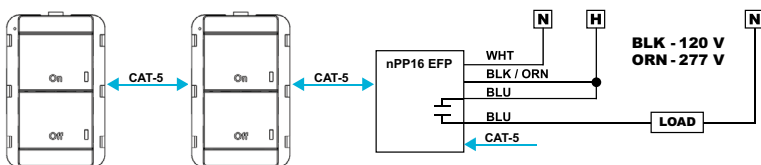


ON/OFF + DIMMING (nPODMA DX)

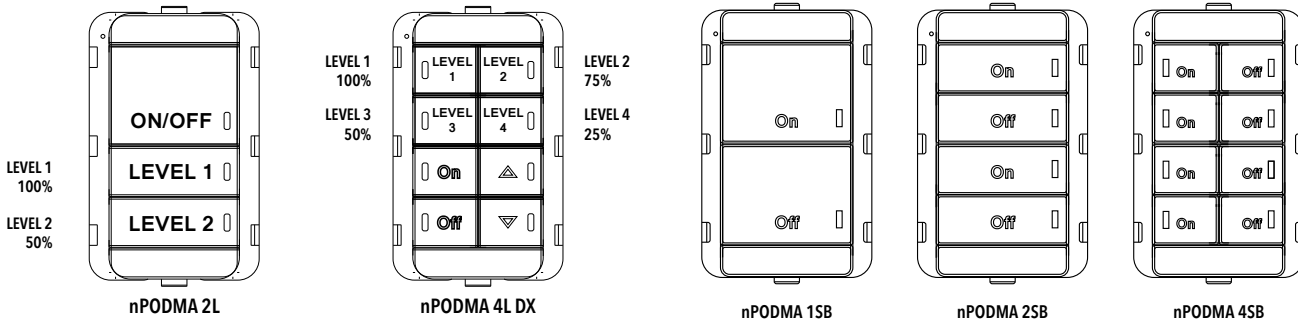
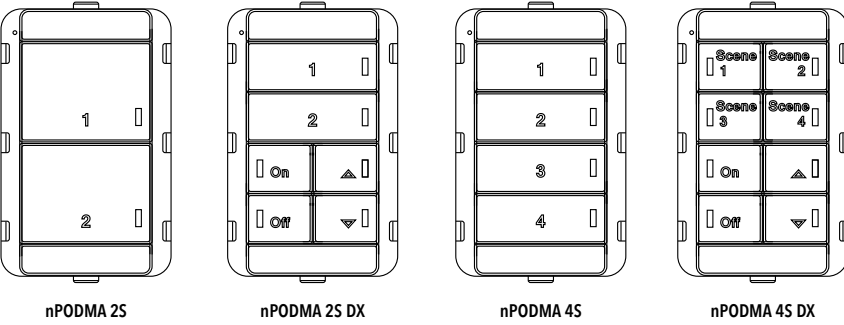
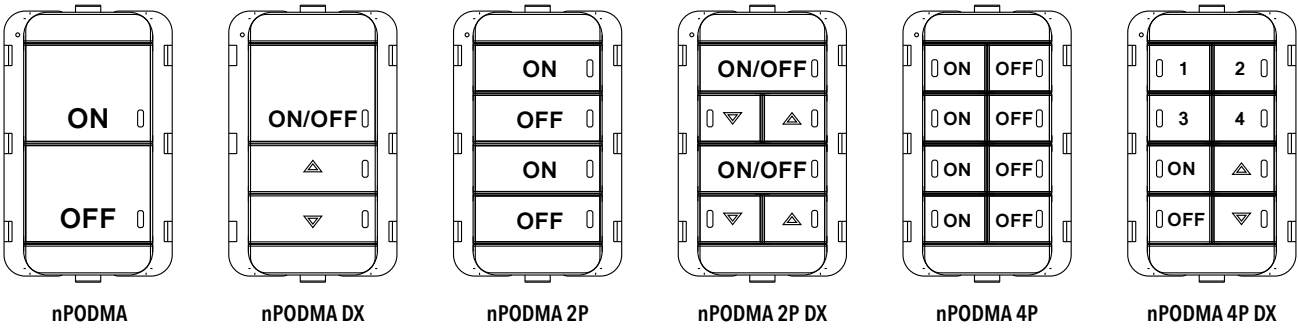


3-WAY CONFIGURATION WIRING

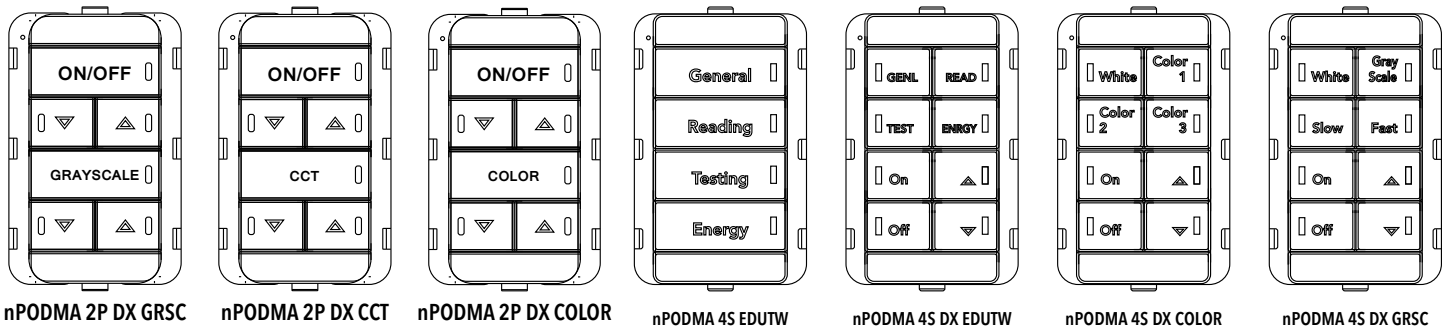
WallPods and/or nLight wall switch sensors can be configured together to create zones with multiple switching locations.



DEFAULT LABELING

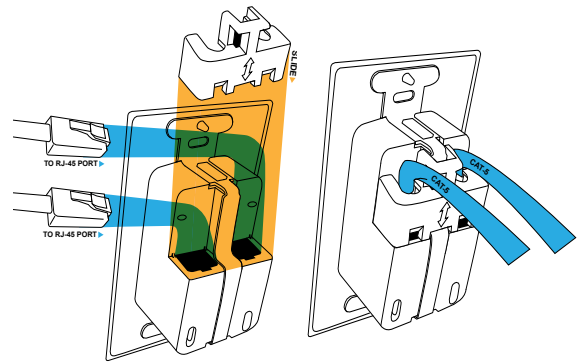


Dynamic wallpods below are paired with Acuity Brands nTUNE fixtures for out-of-box operation. Reference fixture cut sheets for additional details.



INSTALLATION

- Ensure CAT-5e cable(s) are effectively fed through the gang box
 - Push the CAT-5e cables through the back of the gang box
- Remove the wall plate from the device by pulling the sides out to expand the wall plate and release it from the mounting flanges.
- Access RJ-45 port(s) on the WallPod by sliding the plastic guard up
- Insert the CAT-5e cable(s) to the RJ-45 port(s)
- Slide the guard back onto metal strap
- Connect the unit to the gang box
 - The unit will connect to the gang box by screws, one at the top and one at the bottom
 - To ensure correct wall plate installation, drive the screws until the mounting flanges contact the wall surface. If the screws are overdriven, the mounting flanges will disengage, preventing wall plate installation. If this happens, reattach the mounting flange(s) and install to correct position. (The flanges may be reattached by inserting the two tabs in the side of the unit and pushing the part inward to engage the three snaps.)
- Reattach the wall plate
 - Expand the wall plate horizontally
 - Place the wall plate onto the unit
 - Contract the horizontally expanded wall plate onto the unit such that the side flange features seat inside the wall plate



Attention! Only use non-booted CAT5e cables.

PROGRAMMING

Refer to instruction card IN-11.3 for directions on programming the sensor via the upper-most left push-button. All buttons are factory set to the matching switch channel (button 1 - channel 1, button 2 - channel 2, etc). For nPODMA 4P DX, channels to be controlled are selected first, then the control button (on/off or raise/lower).

SPECIFICATIONS

Electrical	Input Ratings	15-24VDC, 5mA, Class 2 (nLight network power)
	Standards/Ratings	Energy Management Equipment, UL916 (E167435)
Mechanical	Dimensions	2.74" H x 1.68" W x 1.63" D (70mm x 43mm x 41mm) - does not include ground strap
	Mounting	Single-Gang Box or Low Voltage Ring
	Connection Type	RJ-45 nLight Network Ports (2)
Environmental	Warrantied Operating Temperature	32°F to 140°F (0°C to 60°C)
	Relative Humidity	Up to 90%, Non-Condensing
	Standards/ Ratings	RoHS
	Security	Complies with California Civil Code Title 1.81.26, Security of Connected Devices, approved under Senate Bill No. 327 (2018)