

Lensed Wall Wash Surface Ceiling Cylinder 4"



OVERVIEW

Feature Set

- Superior optical control maintains a smooth, uniform distribution from ceiling to floor
- Bounding Ray™ optical design
- 45° cutoff to source and source image
- Fully serviceable lensed LED light engine
- 70% lumen maintenance at 60,000 hours
- 2.5 SDCM; 85 CRI typical, 90+ CRI optional
- Fixtures are damp location standard; wet location optional (WL) - covered ceiling required
- 20 standard colors in textured and gloss finish; custom or RAL colors also available
- Multiple recessed or surface j-box mounting configurations available
- Field configurable surface junction box conduit covers available
- Completely integral emergency battery option available
- UGR of zero for fixtures aimed at nadir with a cut-off equal to or less than 60deg per CIE 117-1995 Discomfort Glare in Interior Lighting. [UGR FAQ](#)

Distribution



Superior Performance

Nominal Lumens	500	750	1000	1500	2000	2500	3000	3500	4000	4500
Delivered	417	587	725	1097	1436	1876	2261	2626	2960	3293
Wattage	6.9	7.5	8.4	14.0	18.8	23.5	28.1	32.2	33.7	38.2
Efficacy	60.7	78.1	86.5	78.4	76.5	79.7	80.5	81.6	87.8	86.2

COMPLEMENTARY PRODUCTS

Coordinated Apertures | Multiple Layers of Light



General Illumination Layer | EVO



High Center Beam Layer | Incito



EVO + Incito — Multiple Layers of Light

<b>Core</b>	Downlight	Adjustable	Open Wallwash	Lensed Wallwash	Cylinder	Pinhole	Bevel	Hyperbolic
<b>Healthcare</b>	MRI	Surgical Suite	Patient Room					
<b>Special Applications</b>	Dynamic	Food Service	Vandal/Tamper	Clean Room	Shower	Steam Room		

Luminaire Type:

Catalog Number:

EXAMPLE: IC04SCLW 35/15 AR LSS MVOLT EZ1 JBXCC DWHG

Series	Color Temperature	Lumens	Reflector Color	Reflector Finish	Voltage
IC04SCLW Incito 4in Surface Ceiling Round Cylinder Lensed Wall Wash	27/ 2700 K	05 500 lumens	AR Clear	LSS Semi-specular	MVOLT 120V - 277V
	30/ 3000 K	07 750 lumens	PR Pewter	LD Matte diffuse	120 120V
	35/ 3500 K	10 1000 lumens	WTR Wheat	LS Specular	277 277V
	40/ 4000 K	15 1500 lumens	GR Gold		347 <sup>3</sup> 347V
	50/ 5000 K	20 2000 lumens	WR <sup>1</sup> White painted		
		25 2500 lumens	BR <sup>1</sup> Black		
		30 3000 lumens	BZR <sup>1</sup> Dark Bronze painted		
		35 3500 lumens	WRAMF <sup>1</sup> White anti-microbial		
		40 4000 lumens	TRALTB <sup>1,2</sup> Trim RAL # TBD (TBD for pricing only)		
		45 4500 lumens	TCPC <sup>1,2</sup> Trim Custom Paint Color TBD (TBD for pricing only)		

Driver <sup>4</sup>	Mounting	Emergency Option
GZ10 0-10V driver dims to 10%	JBX Integral driver, Recessed or Surface J-Box	(blank) No emergency options
GZ1 0-10V driver dims to 1%		E6W <sup>12,13</sup> 6W integral emergency battery, CA Title 20 compliant emergency battery pack with integral test switch. Only available with GZ10, GZ1 and ELV Drivers. Only for use with 500-3000 lumen options. Not available with 1500 & 2000 lumen options.
EZ10 eldoLED 0-10V ECOdrive. Linear dimming to 10% min.	JBXCC Integral driver, Surface J-Box with Conduit Covers	E7WCP <sup>13</sup> IOTA <sup>®</sup> 7W Constant Power emergency battery. Only for use with 750-5000 lumen options (sidecar)
EZ1 eldoLED 0-10V ECOdrive. Linear dimming to 1% min.		E10WCP IOTA <sup>®</sup> 10W Constant Power, CA Title 20 compliant emergency battery pack with integral test switch. Only for use with 1000-5000 lumen options. (sidecar or RGH)
EZB eldoLED 0-10V SOLOdrive. Logarithmic dimming to <1%.	RGH <sup>7</sup> Recessed Gear Housing	E10WCPR IOTA <sup>®</sup> 10W Constant Power, CA Title 20 compliant emergency battery pack with remote test switch. (requires RGH)
EDAB <sup>5</sup> eldoLED SOLOdrive DALI. Logarithmic dimming to <1%.		E15WCP <sup>13</sup> IOTA <sup>®</sup> 15W Constant Power, CA Title 20 compliant emergency battery. Only for use with 1500-5000 lumen options. (sidecar)
EDXB <sup>5,6</sup> eldoLED POWERdrive DMX with RDM (remote device management). Square Law dimming to <1%. Min: 1000LM; Max: 4000LM.		GTD IOTA <sup>®</sup> Generator Transfer Device. Specify 120V or 277V (requires RGH)
ELV <sup>5</sup> Electronic line voltage / Forward phase / Triac dimming, 120V Only		
ECOD <sup>5</sup> Lutron <sup>®</sup> EcoSystem <sup>®</sup> digital Hi-Lume 1% soft-on, fade to black. Max: 4000LM.		

Control Interface <sup>8</sup>	Options	Architectural Colors - Powder Paint <sup>2</sup>
(blank) No controls	90CRI High CRI (90+)	DWHAMF Gloss White with Anti-microbial finish
NLT nLight <sup>®</sup> dimming pack.	CP <sup>10</sup> Chicago Plenum. Specify 120V or 277V (requires RGH)	DBB Gloss Dark Bronze
NLTER <sup>9</sup> nLight <sup>®</sup> dimming pack for fixtures on emergency circuit	HAO <sup>11</sup> HAO High Ambient Option (40°C)	DBL Matte Black
NLTAIR2 nLight <sup>®</sup> AIR dimming pack.	IP66 <sup>12</sup> Lensed, IP66 rated	DWH Gloss White
NLTAIRER2 <sup>9</sup> nLight <sup>®</sup> AIR dimming pack for fixtures on emergency circuit	N80 <sup>13</sup> nLight Lumen Compensation	DMB Matte Medium Bronze
	SF Single fuse. Specify 120V or 277V.	DNA Gloss Natural Aluminum
	WL <sup>12</sup> Wet Location	DSS Gloss Sandstone
		DGC Gloss Charcoal Grey
		DTG Gloss Tennis Green
		DBR Gloss Bright Red
		DSB Gloss Steel Blue
		DBBT Textured Dark Bronze
		DBLB Textured Black
		DWHG Textured White
		DBNH Textured Bronze
		DNAT Textured Natural Aluminum
		DSST Textured Sandstone
		DSPD Textured Dark Grey
		DSPE Textured Green
		DSPH Textured Light Red
		RALTB <sup>1</sup> Cylinder RAL # TBD (TBD for pricing only)
		CPC Cylinder Custom Paint Color TBD (TBD for pricing only)

ACCESSORIES — order as separate catalog numbers (shipped separately)

G COLORS KIT	Architectural colors chip kit, consisting of powder-coat and plated finishes
OPTC4 XXD	Additional optics for field installation. Replace "XX" with beam angle.
CYLJBOXADPT 4SQ2OCT	4in Square J-box to 4in Octagonal J-box adaptor. Replace ___ with Architectural Color or PRM for primed ready for field painting

**ORDERING NOTES**

1. Not available with Finishes.
2. Replace with applicable RAL number and finish when ready to order. See [RAL BROCHURE](#) for available color options. For details on all Acuity Architectural paint colors, RAL and Custom colors, please see [Architectural Colors](#).
3. Integral 347V drivers available with GZ10 and GZ1 driver options only. All other drivers will come with a step-down transformer - factory installed with RGH mounting, and field installed with JBX and JBXCC mounting (remote mount location required).
4. Refer to [Tech 240](#) for compatible dimmers.
5. Not available with Control Interfaces.
6. Includes terminator resistor. Only available with 1000-4000 lumen packages.
7. Not available with E7W or E15WCP Emergency Options.
8. Factory installed with RGH mounting, otherwise field installed (remote mount location required).
9. ER for use as UL924 Emergency Operation via power sense lead. Will require an emergency hot feed and normal hot feed. EM for use as UL924 Emergency Operation via power interrupt detection.
10. CP not available with NLTAIR2, NLTAIRER2 or Emergency Options.
11. Not available with WL or sidecar Emergency Options. Max: 2500 lumens.
12. Not available with JBXCC or sidecar Emergency Options.
13. Fixture begins at 80% light level. Must be specified with NLT or NLTER. Only available with EZ10 and EZ1 drivers.

**Optical Assembly**

Fully serviceable and upgradeable lensed LED light engine suitable for field maintenance or service from below the ceiling. Utilized optics shall have mechanical attachment of the light engine to the lower reflector for complete optical alignment. Wallwash enables uniformity from floor to ceiling. Smooth, balanced illumination optimized for ceilings of 8' to 12' with recommended spacing of 3' from wall and 3' centers.

**Electrical**

The luminaire shall operate from a 50 or 60 Hz ±3 Hz AC line over a voltage ranging from 120 VAC to 277 VAC. Integral 347V drivers available with GZ10/GZ1 driver options; 347V with all other drivers available via integral step-down transformer with RGH mounting, and remote mount step-down transformer with JBX/JBXCC mounting. The fluctuations of line voltage shall have no visible effect on the luminous output. The luminaire shall have a power factor of 90% or greater at all standard operating voltages and full luminaire output. Sound Rated A+. Driver shall be >80% efficient at full load across all input voltages. Input wires shall be 18AWG, 300V minimum solid copper. All drivers are ROHS compliant.

**Controls**

Luminaire shall be equipped with interface for nLight wired or nLight AIR networks with integral power supply as per specification.

**Emergency**

Luminaires supplied with an emergency battery pack comply with NFPA 101 (Life Safety Code) to provide egress lighting. Emergency batteries provide up to 15W to a luminaire for 90 minutes in emergency operation when there is normal AC power loss. Integral emergency battery with a test switch discreetly integrated into the cylinder is available up to 6W (E6W). Provides a consistent look within the cylinder family – maintaining the same dimensions as the cylinders without emergency options. IOTA® emergency batteries are available in 7W (E7WCP), 10W (E10WCP), and 15W (E15WCP). Emergency batteries are offered in a side car housing that mounts right next to the cylinder with the test switch integrated into the side car housing. Side car housing will come finished in the same color as the cylinder for a unified look. IOTA® 10W emergency batteries with RGH mounting allow for the emergency batteries to be hidden away within the plenum space. Available with either a test switch integrated into the cylinder (E10WCP), or a remote test switch (E10WCPR). Luminaires equipped with an IOTA® generator transfer device (GTD) work in conjunction with an auxiliary generator or a central inverter system to power luminaires for egress lighting.

**Dimming**

The luminaire shall be capable of continuous dimming without perceivable stroboscopic flicker as measured by flicker index (ANSI/IES RP-16-10) over a range of 100 – 10%, 100 – 1.0% or 100 – 0.1% of rated lumen output with a smooth shut off function to step to 0%. eldoLED LED drivers shall conform to IEEE P1789 standards. Alternatively, manufacturers must demonstrate conformance with product literature and testing which demonstrates this performance. Systems that do not meet IEEE P1789 will not be considered. Driver is inaudible in 24dB environment, and stable when input voltage conditions fluctuate over what is typically experienced in a commercial environment.

**Construction**

Heavy-gauge aluminum construction. Extruded body with flangeless reflector allows flow-through passive thermal management. Surface ceiling mount for direct installation to 4" recessed or surface octagonal or square junction box. Optional field configurable conduit covers available. Conduit covers match cylinder in finish and diameter. Recessed housing available for above ceiling drivers, nLight, CP, GTD, and emergency battery options.

**Listings**

Fixtures are CSA Certified to meet US and Canadian Standards: All fixtures manufactured in strict accordance with the appropriate and current requirements of the "Standards for Safety" to UL, damp location standard; wet location covered ceiling optional (WL).

**Photometrics**

LEDs tested to LM-80 standards. Measured by IESNA Standard LM-79-08 in an accredited lab. Lumen output shall not decrease by more than 30% over the minimum operational life of 60,000 hours. Color appearance from luminaire to luminaire of the same type and in all configurations, shall be consistent both initially and at 6,000 hours and operate with in a tolerance of <2.5 MacAdam ellipse as defined by the center of the quadrangles defined in ANSI C78.377-2015.

**Government Procurement**

BAA - Buy America(n) Act: Product qualifies as a domestic end product under the Buy American Act as implemented in the FAR and DFARS. Product also qualifies as manufactured in the United States under DOT Buy America regulations  
BABA - Build America Buy America: Product qualifies as produced in the United States under the definitions of the Build America, Buy America Act  
Please refer to [www.acuitybrands.com/buy-american](http://www.acuitybrands.com/buy-american) for additional information.

**Warranty**

5-year limited warranty. This is the only warranty provided and no other statements in this specification sheet create any warranty of any kind. All other express and implied warranties are disclaimed. Complete warranty terms located at: [www.acuitybrands.com/support/warranty/terms-and-conditions](http://www.acuitybrands.com/support/warranty/terms-and-conditions)

**Note:**

Actual performance may differ as a result of end user environment and application. All values are design or typical values, measured under laboratory conditions at 25 °C.

**A+ Capable Luminaire**

This item is an A+ capable luminaire, which has been designed and tested to provided consistent color appearance and out-of-the-box control capability with simple commissioning when used with Acuity Brands controls products.

All configurations of this luminaire are calibrated and tested meet the Acuity Brands' specification for chromatic consistency - including color rendering, color fidelity and color temperature tolerance around standard CIE chromaticity coordinates.

To learn more about A+, visit [www.acuitybrands.com/aplus](http://www.acuitybrands.com/aplus).

ICO - eldoLED Driver Default Dimming Curve			
Nomenclature	Min Dimming	Driver Dim Curve	Control Dim Curve
EZ10	10%	Linear	Linear/Logarithmic
EZ1	1%	Linear	Linear/Logarithmic
EZB	<1%	Logarithmic	Linear
EDAB	<1%	Logarithmic*	Linear
EDXB	<1%	Square	Linear

\*Changeable through DALI controller

Lumen Output Multiplier		
CRI	CCT	Multiplier
80	2700K	0.916
	3000K	0.948
	3500K	1
	4000K	1.032
	5000K	1.1
90	2700K	0.748
	3000K	0.8
	3500K	0.838
	4000K	0.845
	5000K	0.945

Reflector Finish Multiplier	
Reflector Finish	Multiplier
LS - Specular	1
LSS - Semi Specular	0.956
WR - White	0.87
LD - Matte Diffuse	0.85
BR - Black	0.73
BZR Bronze	0.73

Driver		Control Provided (note: 347V/UVOLT versions provided with 347 option selected)			
Nomenclature	Description	NLT	NLTER	NLTAIR2	NLTAIRER2
GZ10	0-10V driver dims to 10%	nPP16 D EFP	nPP16 D ER EFP	RPP20 D 24V G2	RPP20 D 24V ER G2
GZ1	0-10V driver dims to 1%	nPP16 D EFP	nPP16 D ER EFP	RPP20 D 24V G2	RPP20 D 24V ER G2
EZ10	eldoLED 0-10V ECOdrive	nPS 80 EZ	nPS 80 EZ ER	RPP20 D 24V G2	RPP20 D 24V ER G2
EZ1	eldoLED 0-10V ECOdrive	nPS 80 EZ	nPS 80 EZ ER	RPP20 D 24V G2	RPP20 D 24V ER G2
EZB	eldoLED 0-10V SOLOdrive	nPS 80 EZ	nPS 80 EZ ER	RPP20 D 24V G2	RPP20 D 24V ER G2

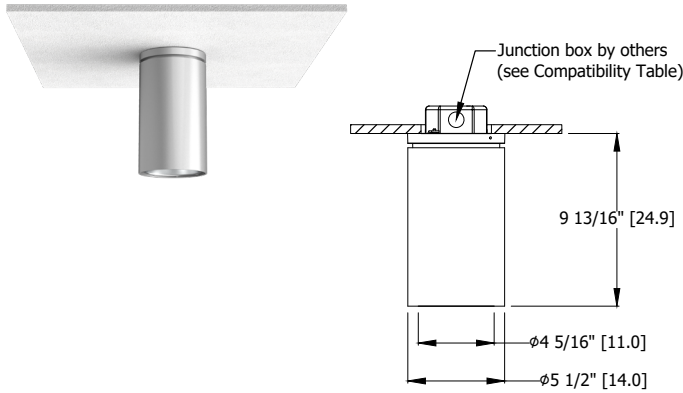
J-box Compatibility Matrix		Cylinder Configurations		
		JBX	JBX w/EDXB Driver	JBXCC
Recommended J-box (by others)	4" Octagonal 4x4x1.5 deep*	✓	✗	✓
	4" Octagonal 4x4x2.125 deep	✓	✓	✗
	4" Square 4x4x1.5 deep	✓	*with adaptor plate accessory	✗

Standard Architectural Color Options for Cylinder Bodies

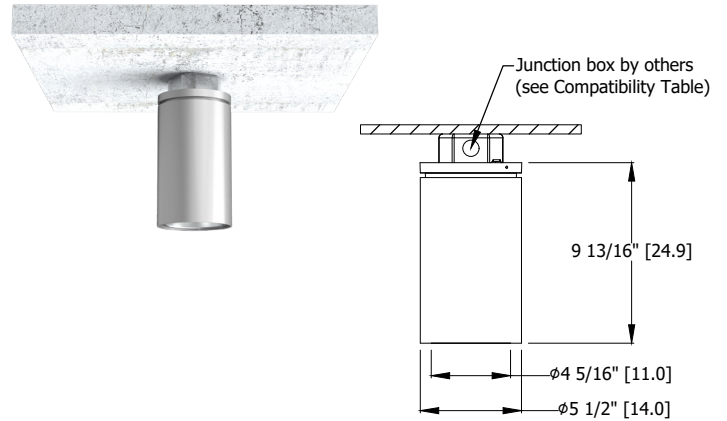


NOTE: These colors were carefully reproduced to give as true a depiction as possible of finished product color. Some colors, however, may vary slightly from actual appearance due to display/printing variations and limitations. Please order the GCOLORS KIT listed in the 'Accessories' section of the spec sheet for an accurate paint chip sample.

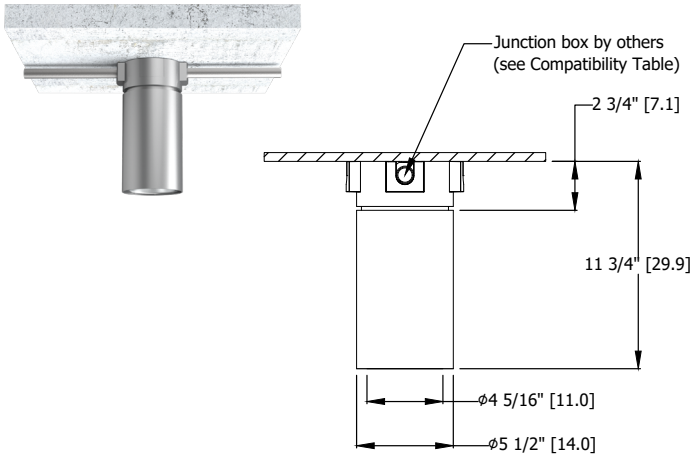
**JBX Recessed J-Box**



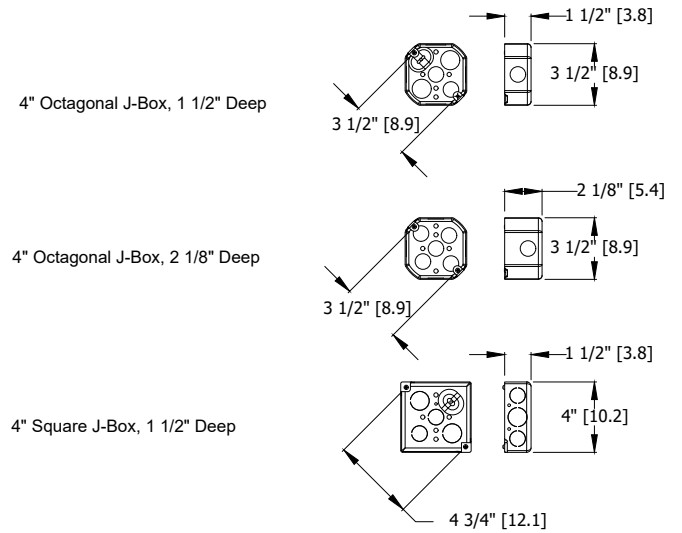
**JBX Surface J-Box**



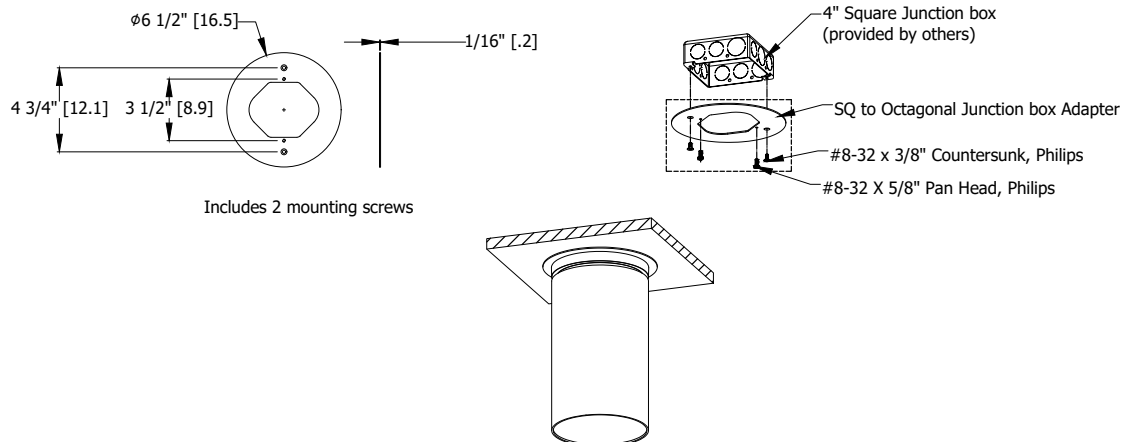
**JBXCC Surface J-Box with Conduit Covers**



**Junction Box Dimensions (by others)**



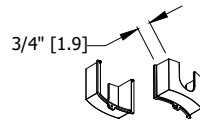
**Cylinder Adapter Plate**



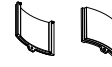
\*Dimensions in inches [centimeters]

DIMENSIONAL DATA

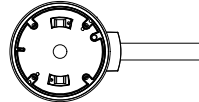
**Conduit Feed Examples and Keys**



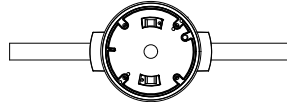
Conduit Key  
(4) provided with each,  
for use with 1/2" or 3/4" conduit



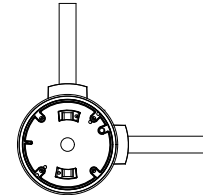
Blank Key  
(4) provided with each



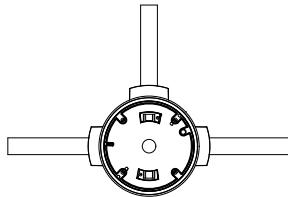
Single Conduit Feed



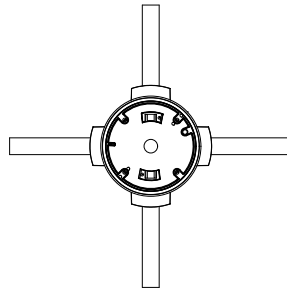
Double 180° conduit



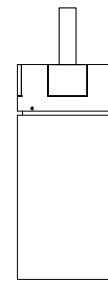
Double 90° conduit



Triple 0°, 90° & 180° conduit

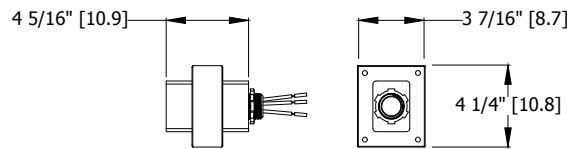
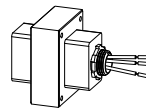


Quad 0°, 90°, 180°, & 270° conduit



Top conduit feed

**347V Stepdown Transformer**

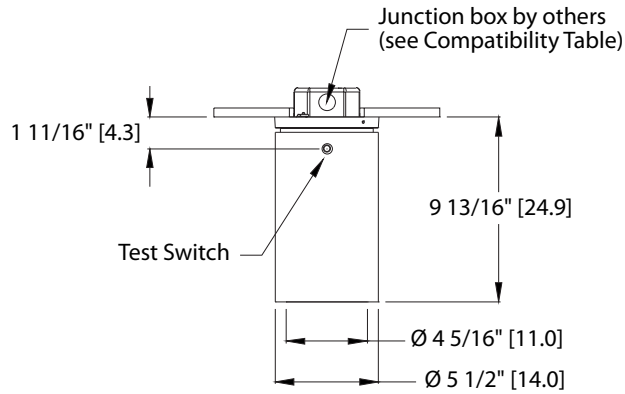


347 Transformer:  
Install to accessible  
junction box by others

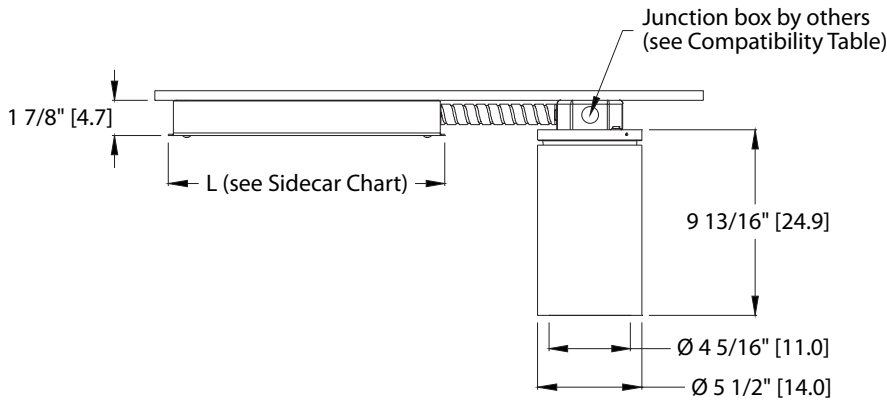
\*Dimensions in inches [centimeters]

DIMENSIONAL DATA

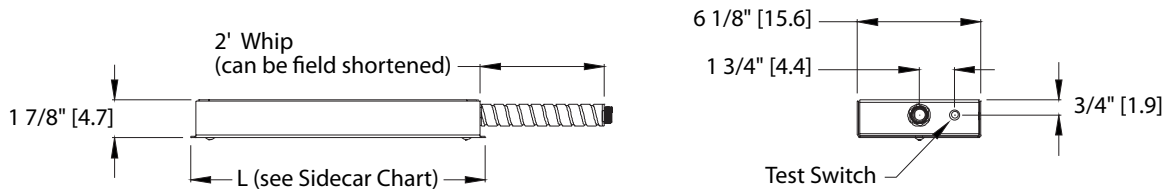
**6W Integral Emergency Battery**



**7W/10W/15W Sidecar Emergency Battery**



**Emergency Battery Sidecar Dimensions**



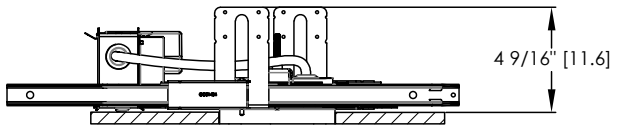
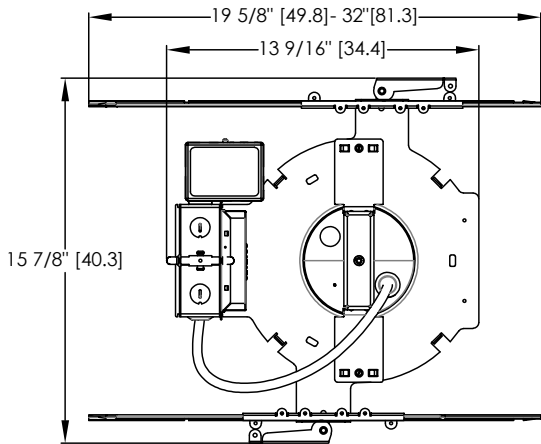
SIDECAR BATTERY OPTION	LUMEN PACKAGES AVAILABLE	L (SIDECAR LENGTH)
E7WCP	750LM AND GREATER EXCEPT AS NOTED BELOW	14"
	6000-8000LM 5000-8000LM WITH ECOD DRIVER	16"
E10WCP	1000LM AND GREATER EXCEPT AS NOTED BELOW	14"
	6000-8000LM 5000-8000LM WITH ECOD DRIVER	16"
E15WCP	1500LM AND GREATER	16"

\*Dimensions in inches [centimeters]



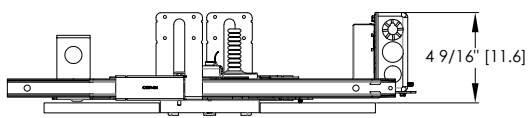
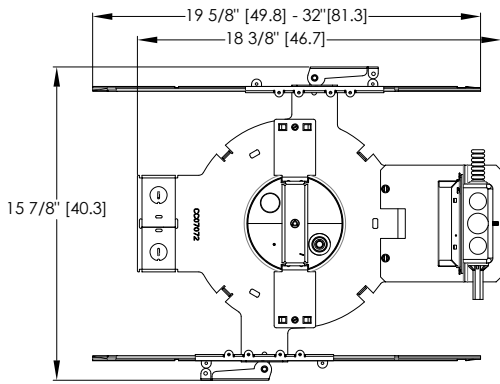
DIMENSIONAL DATA

**RGH Standard**



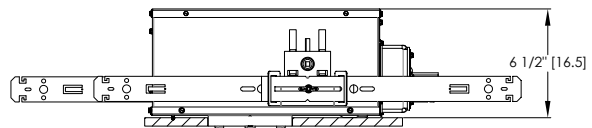
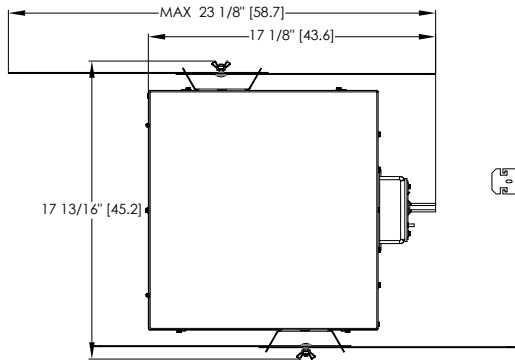
Ceiling thickness range: 1/2"[1.3] to 3"[7.6]  
Ceiling cutout: 5 1/16"[12.9]

**RGH CP Standard**



Ceiling thickness range: 1/2"[1.3] to 3"[7.6]  
Ceiling cutout: 5 1/16"[12.9]

**RGH with Chicago Plenum (CP) for use with nLight Enclosed**

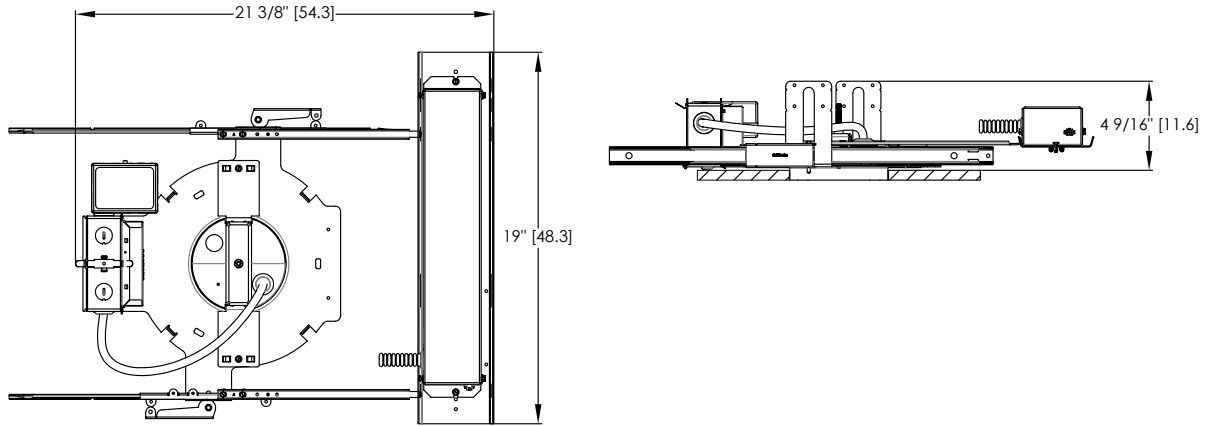


Ceiling thickness range: 1/2"[1.3] to 3"[7.6]  
Ceiling cutout: 5 1/16"[12.9]

\*Dimensions in inches [centimeters]

DIMENSIONAL DATA

**RGH with Battery Backup (E10WCPR/E10WCP) Standard**



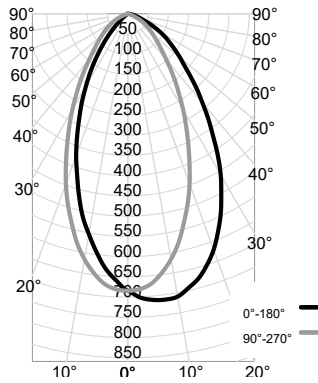
With Emergency Battery or GTD option

Minimum plenum height for emergency batteries in non-accessible ceilings: 12 1/2"[31.8]  
 Ceiling thickness range: 1/2"[1.3] to 3"[7.6]  
 Ceiling cutout: 5 1/16"[12.9]

\*Dimensions in inches [centimeters]

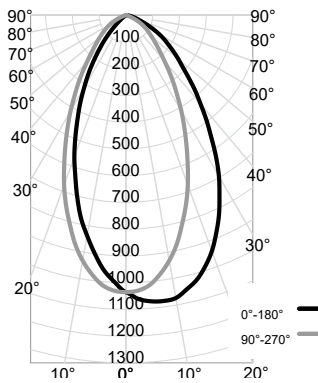
Photometry

**ICO4SCLW 35/10 AR LSS** Input Watts: 8.4, Delivered Lumens: 725, LPW: 86.3, S/MH: 1.05, Test No: ISF 201863P49



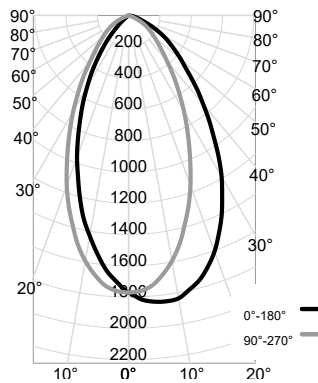
CP Summary		Zonal Lumen Summary			Luminance (cd/sq.m)	
	0°	90°	Zone	Lumens	% Fixture	Average Luminance
0°	684	684	0° - 30°	392	54%	0° 86,143
5°	710	669	0° - 40°	536	74%	45° 39,040
15°	677	535	0° - 60°	689	95%	55° 28,268
25°	544	353	0° - 90°	725	100%	65° 18,298
35°	367	205	90° - 180°	0	0%	75° 9,638
45°	219	110	0° - 180°	725	100%	85° 954
55°	129	63				
65°	61	25				
75°	20	1				
85°	1	0				
90°	0	0				

**ICO4SCLW 35/15 AR LSS** Input Watts: 14.0, Delivered Lumens: 1098, LPW: 78.4, S/MH: 1.05, Test No: ISF 201863P51



CP Summary		Zonal Lumen Summary			Luminance (cd/sq.m)	
	0°	90°	Zone	Lumens	% Fixture	Average Luminance
0°	1,036	1,036	0° - 30°	594	54%	0° 130,380
5°	1,074	1,013	0° - 40°	811	74%	45° 59,089
15°	1,024	810	0° - 60°	1,043	95%	55° 42,785
25°	823	535	0° - 90°	1,098	100%	65° 27,694
35°	555	310	90° - 180°	0	0%	75° 14,587
45°	332	166	0° - 180°	1,098	100%	85° 1,444
55°	195	96				
65°	93	38				
75°	30	2				
85°	1	0				
90°	0	0				

**ICO4SCLW 35/25 AR LSS** Input Watts: 23.5, Delivered Lumens: 1877, LPW: 79.9, S/MH: 1.05, Test No: ISF 201863P55



CP Summary		Zonal Lumen Summary			Luminance (cd/sq.m)	
	0°	90°	Zone	Lumens	% Fixture	Average Luminance
0°	1,771	1,771	0° - 30°	1,015	54%	0° 222,917
5°	1,836	1,732	0° - 40°	1,386	74%	45° 101,027
15°	1,751	1,385	0° - 60°	1,783	95%	55° 73,152
25°	1,407	915	0° - 90°	1,877	100%	65° 47,350
35°	949	530	90° - 180°	0	0%	75° 24,941
45°	568	284	0° - 180°	1,877	100%	85° 2,469
55°	333	164				
65°	159	65				
75°	51	3				
85°	2	0				
90°	0	0				

**nLight® AIR** is the ideal solution for retrofit or new construction spaces where adding communication wiring is cost prohibitive. The integrated nLight AIR rPP20 Power Pack is part of each EVO Luminaire ordered with the NLTAIR option. These individually addressable controls offer the ultimate in flexibility during initial setup and for space repurposing.

**nLight® AIR Control Accessories**  
Order as separate catalog number. Visit [nLight AIR](#).

Wall Switches	Model Number
On/Off single pole	rPODB (color) G2
On/Off two pole	rPODB 2P (color) G2
On/Off & raise/lower single pole	rPODB DX (color) G2
On/Off & raise/lower two pole	rPODB 2P DX (color) G2

**nLight® AIR Control Accessories (cont.)**

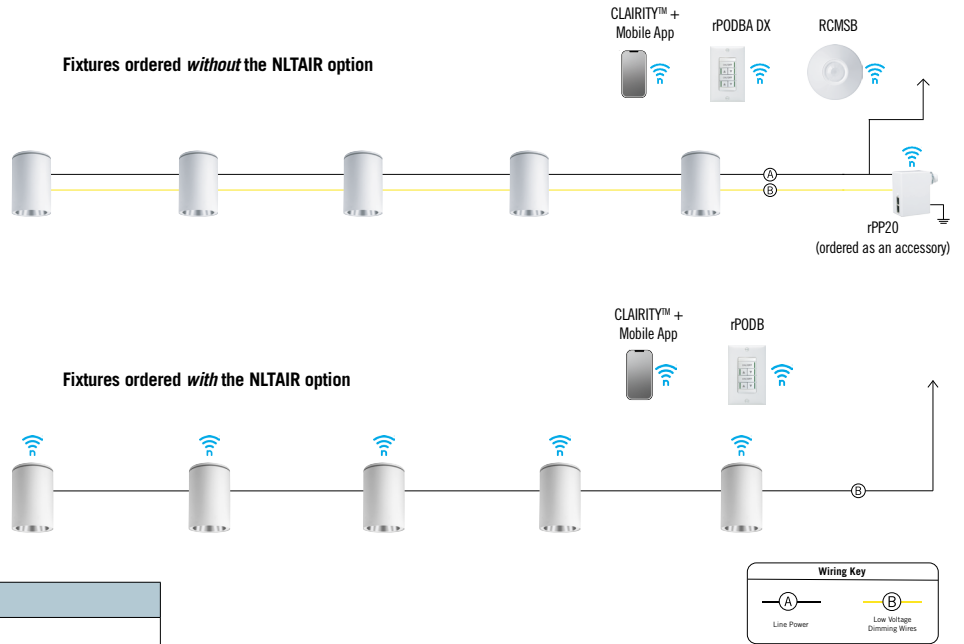
Occupancy Sensors (PIR/dual tech)	Model Number
Small motion 360°, ceiling	rCMS 9 / rCMS PDT 9
Large motion 360°, ceiling	rCMS 10 / rCMS PDT 10

**UL924 Sequence of Operation**

The below information applies to all nLight AIR devices with an EM option.

- EM devices will remain at their high-end trim and ignore wireless lighting control commands, unless a normal-power-sensed (NPS) broadcast is received at least every 8 seconds.
- Using the CLAIRITY+ mobile app, EM devices must be associated with a group that includes a normal power sensing device to receive NPS broadcasts.
- Only non-emergency rPP20, rLSXR, rSBOR, rSDGR, and nLight AIR luminaires with version 3.4 or later firmware can provide normal power sensing for EM devices. See specification sheets for control devices and luminaires for more information on options that support normal power sensing.

**Possibilities for nLight® AIR**



**nLight® Wired** The nLight® solution is a digital networked lighting control system that provides both energy savings and increased user configurability by cost effectively integrating time-based, daylight-based, sensor-based and manual lighting control schemes.

**nLight® Wired Control Accessories**  
Order as separate catalog number. Visit [nLight](#).

Wall Switches	Model Number
On/Off single pole	nPODM (color)
On/Off two pole	nPODM 2P (color)
On/Off & raise/lower single pole	nPOD DX (color)
On/Off & raise/lower two pole	nPODM 2P DX (color)
Graphic touchscreen	nPOD GFX (color)

Photocell Controls	Model Number
Dimming	nCM ADCX

**nLight® Wired Control Accessories (cont.)**

Occupancy Sensors (PIR/dual tech)	Model Number
Small motion 360°, ceiling	nCM 9 / nCM PDT 9
Large motion 360°, ceiling	nCM 10 / nCM PDT 10
Wide View	nWV 16 / nWV PDT 16
Wall switch with raise/lower	nWSX LV DX / nWSX PDT LV DX

Cat-5 Cables (plenum rated)	Model Number
10', CAT5	CAT5 10FT J1
15', CAT5	CAT5 15FT J1

**Possibilities for nLight® wired**

