

OVERVIEW

Lensed Wall Wash Pendant Stem Cylinder

4"

Feature Set

- Superior optical control maintains a smooth, uniform distribution
- Bounding Ray™ optical design
- 45° cutoff to source and source image
- Fully serviceable lensed LED light engine
- 70% lumen maintenance at 60,000 hours
- 2.5 SDCM; 85 CRI typical, 90+ CRI optional
- Fixtures are damp location standard; Wet location (WL) optional, requires covered ceiling
- 20 standard colors in textured and gloss finish; custom or RAL colors also available
- Multiple recessed or surface j-box mounting configurations available
- Field cuttable 1/2" stems with concealed couplers
- ENERGY STAR® Certified product
- UGR of zero for fixtures aimed at nadir with a cut-off equal to or less than 60deg per CIE 117-1995 Discomfort Glare in Interior Lighting. [UGR FAQ](#)

Distribution



Superior Performance

Nominal Lumens	500	750	1000	1500	2000	2500	3000	3500	4000	4500
Delivered	417	587	725	1097	1436	1876	2261	2626	2960	3293
Wattage	6.9	7.5	8.4	14.0	18.8	23.5	28.1	32.2	33.7	38.2
Efficacy	60.7	78.1	86.5	78.4	76.5	79.7	80.5	81.6	87.8	86.2

Coordinated Apertures | Multiple Layers of Light



General Illumination Layer | EVO



High Center Beam Layer | Incito



EVO + Incito — Multiple Layers of Light

Core



Healthcare



Special Applications



COMPLEMENTARY PRODUCTS

ORDERING INFORMATION

Luminaire Type:
 Catalog Number:

EXAMPLE: IC04PCLW 35/15 AR LSS MVOLT EZ1 JBXCC PCAN S8 DWHG

Series	Color Temperature	Lumens	Reflector Color	Reflector Finish	Voltage
IC04PCLW Incito 4in Pendent Stem Round Cylinder Lensed Wall Wash	27/ 2700 K	05 500 lumens	AR Clear	LSS Semi-specular	MVOLT 120V - 277V
	30/ 3000 K	07 750 lumens	PR Pewter	LD Matte diffuse	120 120V
	35/ 3500 K	10 1000 lumens	WTR Wheat	LS Specular	277 277V
	40/ 4000 K	15 1500 lumens	GR Gold		347 ³ 347V
	50/ 5000 K	20 2000 lumens	WR ¹ White painted		
		25 2500 lumens	BR ¹ Black		
		30 3000 lumens	WRAMF ¹ White Anti-microbial		
		35 3500 lumens	BZR ¹ Dark Bronze painted		
		40 4000 lumens	TRALTBD ^{1,2} Trim RAL # TBD (TBD for pricing only)		
		45 4500 lumens	TCPC ^{1,2} Trim Custom Paint Color TBD (TBD for pricing only)		

Driver ⁴	Mounting	Canopy Type	Stem Length ¹¹
GZ10 0-10V driver dims to 10%	JBX Integral driver, Recessed or Surface J-box	PCAN 5° stem canopy with "hang straight" swivel	S2 2 foot 1/2" stem
GZ1 0-10V driver dims to 1%			S4 4 foot 1/2" stem
EZ10 eldoLED 0-10V ECOdrive. Linear dimming to 10% min.	JBXCC Integral driver, Surface J-box with Conduit Covers	PCAN45 ¹⁰ 45° stem canopy with "hang straight" swivel	S6 6 foot 1/2" stem
EZ1 eldoLED 0-10V ECOdrive. Linear dimming to 1% min.			S8 8 foot 1/2" stem
EZB eldoLED 0-10V SOLOdrive. Logarithmic dimming to <1%.	SGB ⁸ Surface Gear Box (for driver at ceiling), Recessed or Surface J-Box (not wall or surface ceiling)		S10 10 foot 1/2" stem
EDAB ⁵ eldoLED SOLOdrive DALI. Logarithmic dimming to <1%. Min: 1000LM; Max: 4000LM.			S12 12 foot 1/2" stem
EDXB ^{5,6,7} eldoLED POWERdrive DMX with RDM (remote device management). Square Law dimming to <1%.	SGBCC ⁸ Surface Gear Box (for driver at ceiling), Surface J-Box with Conduit Covers (not wall or surface ceiling)		S16 16 foot 1/2" stem
ECOD ⁵ Lutron® EcoSystem® digital Hi-Lume 1% soft-on, fade to black. Max: 4000LM			S20 20 foot 1/2" stem
ELV ⁵ Electronic line voltage / Forward phase / Triac dimming, 120V Only.	RGH ⁹ Recessed Gear Housing		

Emergency Option	Control Interface ¹²	Options	Architectural Colors - Powder Paint ²
(blank) No emergency options	(blank) No controls	90CRI High CRI (90+)	DDB Gloss Dark Bronze
E6W 6W integral emergency battery, CA Title 20 compliant emergency battery pack with integral test switch. Only available with GZ10, GZ1 and ELV Drivers. Only for use with 500-3000 lumen options. Not available with 1500 & 2000 lumen options.	NLT nLight® dimming pack. Specify 120V or 277V	CP ¹⁴ Chicago Plenum. Specify 120V or 277V (requires RGH)	DBL Matte Black
E7WCP IOTA® 7W Constant Power emergency battery (sidecar). Only for use with 750-5000 lumen options. Not available with 1500 & 2000 lumen options.	NLTER ¹³ nLight® dimming pack for fixtures on emergency circuit. Specify 120V or 277V	HAO ¹⁵ HAO High Ambient Option (40°C)	DWH Gloss White
E10WCP IOTA® 10W Constant Power, CA Title 20 compliant emergency battery pack with integral test switch. Only for use with 1000-5000 lumen options. (sidecar or RGH)	NLTAIR2 nLight® AIR dimming pack. Specify 120V or 277V	N80 ¹⁶ nLight Lumen Compensation	DMB Matte Medium Bronze
E10WCPR IOTA® 10W Constant Power, CA Title 20 compliant emergency battery pack with remote test switch. Only for use with 1000-4500 lumen options. (requires RGH)	NLTAIRER2 ¹³ nLight® AIR dimming pack for fixtures on emergency circuit. Specify 120V or 277V	SF Single fuse. Specify 120V or 277V.	DNA Gloss Natural Aluminum
E15WCP IOTA® 15W Constant Power, CA Title 20 compliant emergency battery. Only for use with 1500-5000 lumen options. (sidecar)		WL ¹⁷ Wet Location	DSS Gloss Sandstone
GTD IOTA® Generator Transfer Device. Specify 120V or 277V (requires RGH)			DGC Gloss Charcoal Grey
			DTG Gloss Tennis Green
			DBR Gloss Bright Red
			DSB Gloss Steel Blue
			DSST Textured Sandstone
			DBLT Textured Black
			DBLH Textured White
			DBNH Textured Bronze
			DNAT Textured Natural Aluminum
			DSPD Textured Dark Grey
			DSPE Textured Green
			DSPH Textured Light Red
			DWHAMF Gloss White with Anti-microbial finish
			RALTBD Cylinder RAL # TBD (TBD for pricing only)
			CPC Cylinder Custom Paint Color TBD (TBD for pricing only)

ACCESSORIES — order as separate catalog numbers (shipped separately)

GCOLORS KIT	Architectural colors chip kit, consisting of powder-coat and plated finishes
OPTC4 XXD	Additional optics for field installation. Replace "XX" with beam angle.
CYLJBOXADPT 4SQ2OCT ___	4in Square J-box to 4in Octagonal J-box adaptor. Replace ___ with Architectural Color or PRM for primed ready for field painting
CYLSTBL KIT	Stabilization Kit for securing pendant stem fixtures

ORDERING NOTES

- | | |
|---|--|
| 1. Not Available with Finishes. | 11. Stem section adjacent to cylinder can be cut in field to achieve non-uniform lengths (i.e. for a field cut 3' length, order 4' stem). |
| 2. Replace with applicable RAL number and finish when ready to order. See RAL BROCHURE for available color options. For details on all Acuity Architectural paint colors, RAL and Custom colors, please see Architectural Colors . Not available with emergency battery pack options. | 12. Factory installed with RGH option otherwise field installed. Access required to location of remote mounted device. |
| 3. Factory supplied step down transformer must be remote mounted. Access required to location of remote mounted device. | 13. ER for use as UL924 Emergency Operation via power sense lead. Will require an emergency hot feed and normal hot feed. EM for use as UL924 Emergency Operation via power interrupt detection. |
| 4. Refer to Tech 240 for compatible dimmers. | 14. CP not available with NLTAIR2, NLTAIRER2 or E10WCPR options. |
| 5. Not Available with Control Interfaces. | 15. Only available up to 2500 lumens; up to 2000 lumens wet location. |
| 6. Requires SGB, or SGBCC mounting option. | 16. Fixture begins at 80% light level. Must be specified with NLT or NLTER. Only available with EZ10 and EZ1 drivers. |
| 7. Includes terminator resistor. Only available with 1000-4000 lumen packages. | 17. Not available with JBXCC, SGB, or SGBCC. |
| 8. Only available with DMX driver (EDXB). | |
| 9. Not available with E6W, E7W or E15WCP Emergency Options. | |
| 10. Not available with SGB or SGBCC: those mountings require a flat ceiling. | |

Optical Assembly

Fully serviceable and upgradeable lensed LED light engine suitable for field maintenance or service from below the ceiling. Unitized optics shall have mechanical attachment of the light engine to the lower reflector for complete optical alignment. Wallwash enables uniformity from floor to ceiling. Smooth, balanced illumination optimized for ceilings of 8' to 12' with recommended spacing of 3' from wall and 3' centers.

Electrical

The luminaire shall operate from a 50 or 60 Hz \pm 3 Hz AC line over a voltage ranging from 120 VAC to 277 VAC. Support 347V via remote-mounted stepdown transformer. The fluctuations of line voltage shall have no visible effect on the luminous output. The luminaire shall have a power factor of 90% or greater at all standard operating voltages and full luminaire output. Sound Rated A+. Driver shall be >80% efficient at full load across all input voltages. Input wires shall be 18AWG, 300V minimum solid copper. All drivers are ROHS compliant.

Controls

Luminaire shall be equipped with interface for nLight wired or nLight AIR networks with integral power supply as per specification.

Emergency

Luminaires supplied with a battery pack comply with NFPA 101 (Life Safety code) and deliver constant light output throughout the 90 minutes of code required emergency operation period when there is a normal AC power loss. Luminaires equipped with a generator transfer device work in conjunction with an auxiliary generator or a central inverter system to power fixtures for safe egress lighting.

Dimming

The luminaire shall be capable of continuous dimming without perceivable stroboscopic flicker as measured by flicker index (ANSI/IES RP-16-10) over a range of 100 – 10%, 100 – 1.0% or 100 – 0.1% of rated lumen output with a smooth shut off function to step to 0%. eldoLED LED drivers shall conform to IEEE P1789 standards. Alternatively, manufacturers must demonstrate conformance with product literature and testing which demonstrates this performance. Systems that do not meet IEEE P1789 will not be considered. Driver is inaudible in 24dB environment, and stable when input voltage conditions fluctuate over what is typically experienced in a commercial environment.

Construction

Heaving-gauge aluminum construction. Extruded cylinder body with flangeless reflector allows flow-through passive thermal management. Canopy matches cylinder in finish and diameter. Pendant stem mount for installation to 4" recessed or surface octagonal junction box with integral driver. Recessed gear box available for driver above ceiling, nLight, battery pack, CP, and GTD options. Surface gear box available for driver at ceiling installation. Optional field configurable conduit covers available. Conduit covers match cylinder in finish and diameter.

WARNING: All pendant fixtures exposed to wind require tethering – see page 6.

Listings

Fixtures are CSA Certified to meet US and Canadian Standards: All fixtures manufactured in strict accordance with the appropriate and current requirements of the "Standards for Safety" to UL, damp location standard; wet location (WL) optional, requires covered ceiling. Luminaire configurations are Energy Star certified through testing in EPA-recognized laboratories, with the results reviewed by an independent, accredited certification organization. Visit www.energystar.gov for specific configurations listed.

Photometrics

LEDs tested to LM-80 standards. Measured by IESNA Standard LM-79-08 in an accredited lab. Lumen output shall not decrease by more than 30% over the minimum operational life of 60,000 hours. Color appearance from luminaire to luminaire of the same type and in all configurations, shall be consistent both initially and at 6,000 hours and operate with a tolerance of <2.5 MacAdam ellipse as defined by the center of the quadrangles defined in ANSI C78.377-2015.

BUY AMERICAN ACT

This product is assembled in the USA and meets the Buy America(n) government procurement requirements under FAR, DFARS and DOT regulations. Please refer to www.acuitybrands.com/buy-american for additional information.

Warranty

5-year limited warranty. This is the only warranty provided and no other statements in this specification sheet create any warranty of any kind. All other express and implied warranties are disclaimed. Complete warranty terms located at: www.acuitybrands.com/support/warranty/terms-and-conditions

Note:

Actual performance may differ as a result of end user environment and application. All values are design or typical values, measured under laboratory conditions at 25 °C.

A+ Capable Luminaire

This item is an A+ capable luminaire, which has been designed and tested to provided consistent color appearance and out-of-the-box control capability with simple commissioning when used with Acuity Brands controls products.

All configurations of this luminaire are calibrated and tested meet the Acuity Brands' specification for chromatic consistency - including color rendering, color fidelity and color temperature tolerance around standard CIE chromaticity coordinates.

To learn more about A+, visit www.acuitybrands.com/aplus.

Tables of Use

ICO - eldoLED Driver Default Dimming Curve			
Nomenclature	Min Dimming	Driver Dim Curve	Control Dim Curve
EZ10	10%	Linear	Linear/Logarithmic
EZ1	1%	Linear	Linear/Logarithmic
EZB	<1%	Logarithmic	Linear
EDAB	<1%	Logarithmic*	Linear
EDXB	<1%	Square	Linear

*Changeable through DALI controller

Lumen Output Multiplier		
CRI	CCT	Multiplier
80	2700K	0.916
	3000K	0.948
	3500K	1
	4000K	1.032
	5000K	1.1
90	2700K	0.748
	3000K	0.8
	3500K	0.838
	4000K	0.845
	5000K	0.945

Reflector Finish Multiplier	
Reflector Finish	Multiplier
LS - Specular	1
LSS - Semi Specular	0.956
WR - White	0.87
LD - Matte Diffuse	0.85
BR - Black	0.73
BZR - Bronze	0.73

Driver						Control Provided (note: 347V/UVOLT versions provided with 347 option selected)	
Nomenclature	Description	NLT	NLTER	NLTAIR2	NLTAIRER2		
GZ10	0-10V driver dims to 10%	nPP16 D EFP	nPP16 D ER EFP	RPP20 D 24V G2	RPP20 D 24V ER G2		
GZ1	0-10V driver dims to 1%	nPP16 D EFP	nPP16 D ER EFP	RPP20 D 24V G2	RPP20 D 24V ER G2		
EZ10	eldoLED 0-10V ECOdrive	nPS 80 EZ	nPS 80 EZ ER	RPP20 D 24V G2	RPP20 D 24V ER G2		
EZ1	eldoLED 0-10V ECOdrive	nPS 80 EZ	nPS 80 EZ ER	RPP20 D 24V G2	RPP20 D 24V ER G2		
EZB	eldoLED 0-10V SOLOdrive	nPS 80 EZ	nPS 80 EZ ER	RPP20 D 24V G2	RPP20 D 24V ER G2		

J-box Compatibility Matrix		Cylinder Configurations					
		JBX	SGB	SGBCC	SGB w/EDXB Driver	SGBCC w/EDXB Driver	JBXCC
Recommended J-box (by others)	4" Octagonal 4x4x1.5 deep"	✓	✓	✓	✓	✓	✓
	4" Octagonal 4x4x2.125 deep	✓	✓	✗	✓	✗	✗
	4" Square 4x4x1.5 deep	*with adaptor plate accessory	*with adaptor plate accessory	✗	*with adaptor plate accessory	✗	✗

Standard Architectural Color Options for Cylinder Bodies



NOTE: These colors were carefully reproduced to give as true a depiction as possible of finished product color. Some colors, however, may vary slightly from actual appearance due to display/printing variations and limitations. Please order the GCOLORS KIT listed in the 'Accessories' section of the spec sheet for an accurate paint chip sample.

Stabilization Kit (CYLSTBL KIT) Accessory

The Stabilization Kit offers additional support for applications where wind may be a factor and the pendant stem cylinder needs to be secured.

Cables

Three (3) 20 ft. 304 grade stainless steel aircraft cables with outer diameters of 1/16" are attached to anchoring mechanisms in the mounting surface at one end and the provided stem collar around the pendant stem at the other end.

Cables should be anchored 120° +/- 10° from each other radially and positioned at 45° or greater from the stem for optimal support of the fixture.

Clamps and Stem Collars

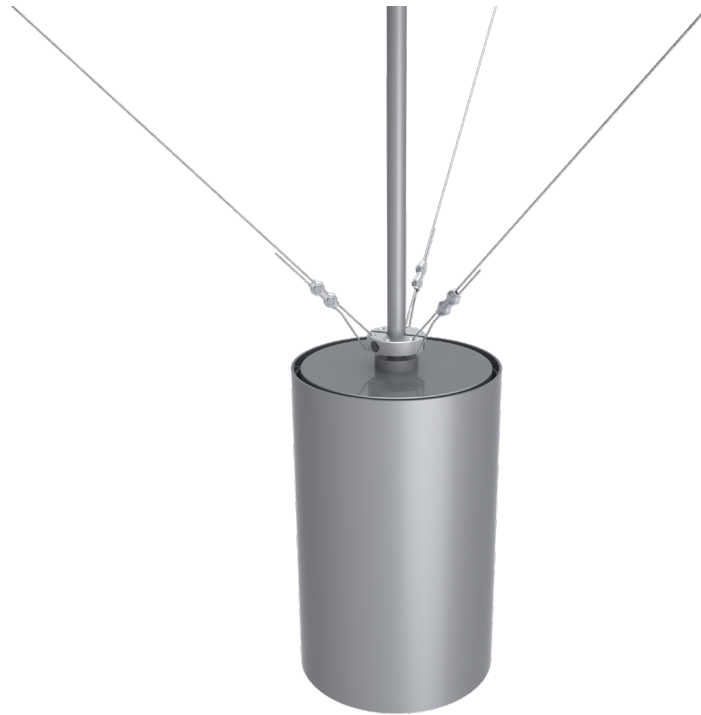
The stem collar consists of two (2) half stem collars made of 304 stainless steel. Both stem collar halves are attached around the pendant stem with 304 stainless steel socket head cap screws.

Six (6) cable clamps made of 304 stainless steel are used in the stabilization kit with two (2) clamps per cable attached to each anchoring point and the stem collar.

The cable tension can be adjusted from either end.

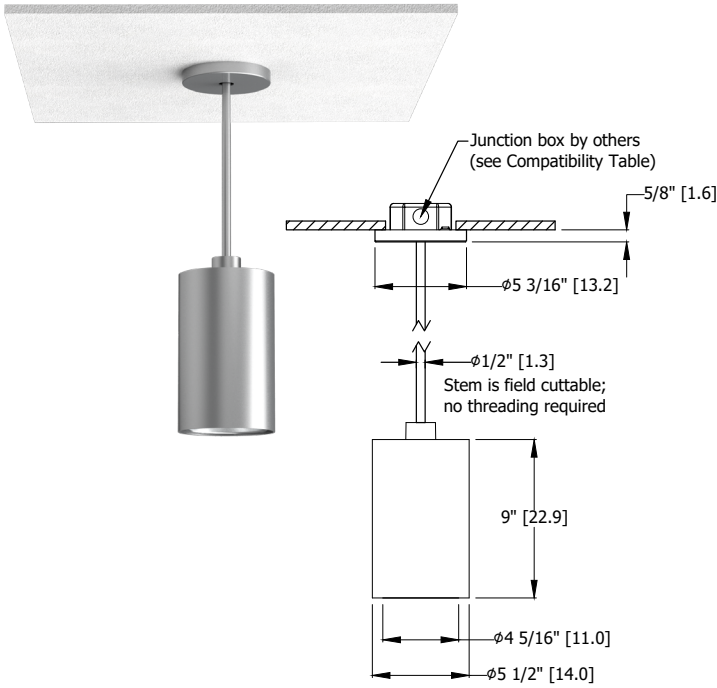
Wind Load

The Stabilization Kit is designed to withstand 90mph winds for 3 seconds comparable to ASCE 7-10, MRI 50-year (fixture EPA is 0.2 sq ft)

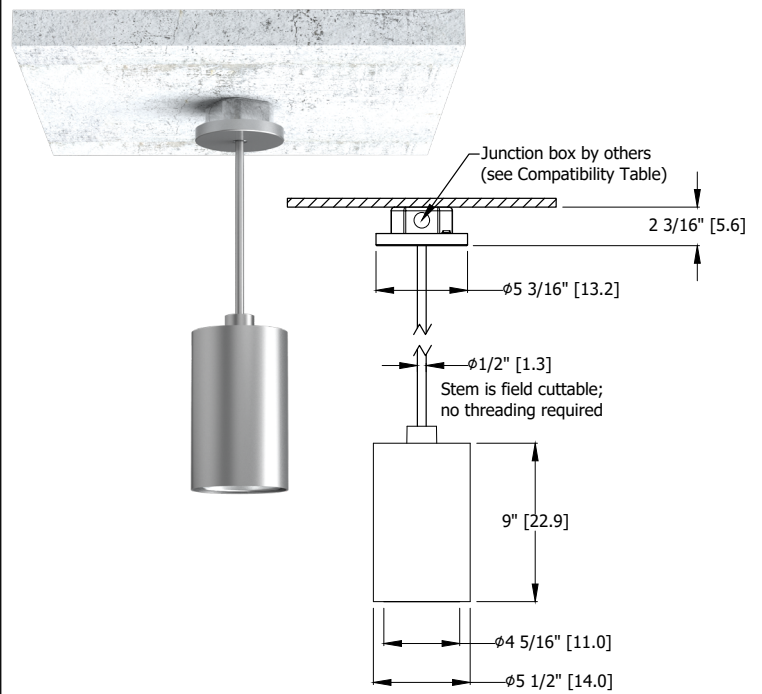


DIMENSIONAL DATA

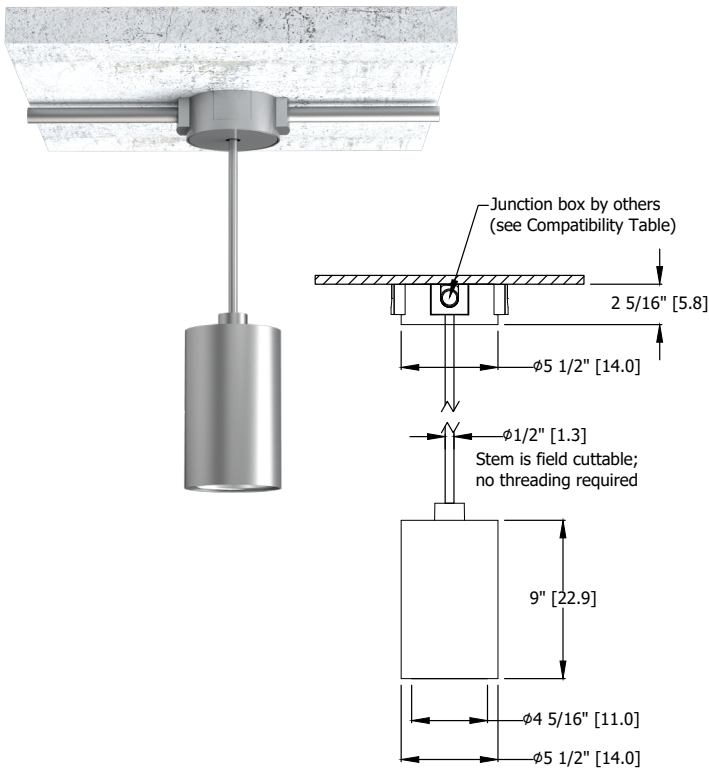
JBX Recessed J-Box



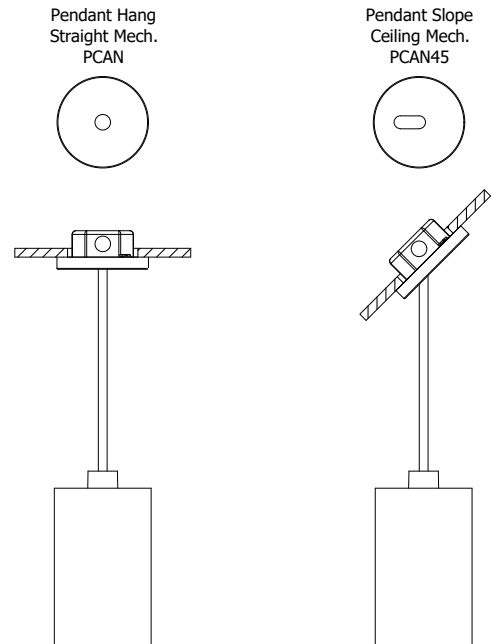
JBX Surface J-Box



JBXCC Surface J-Box with Conduit Covers



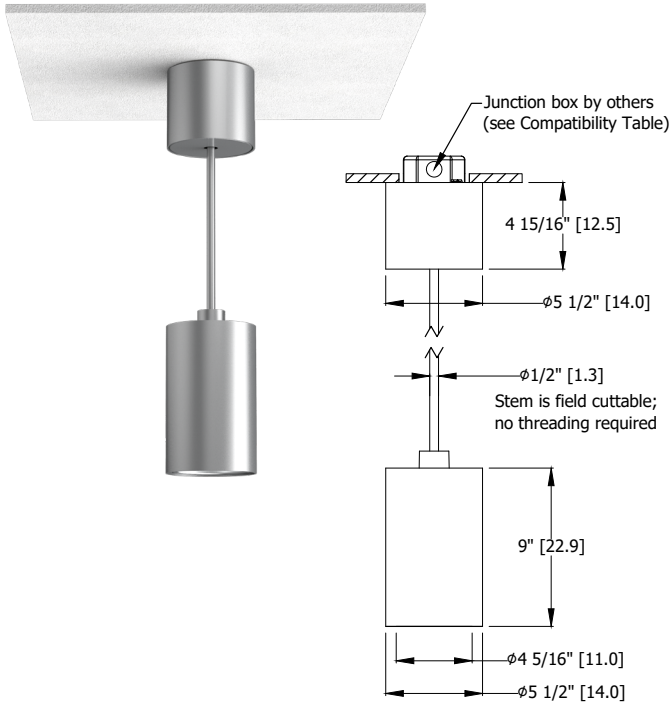
Canopy Covers for Flat or Sloped Ceilings



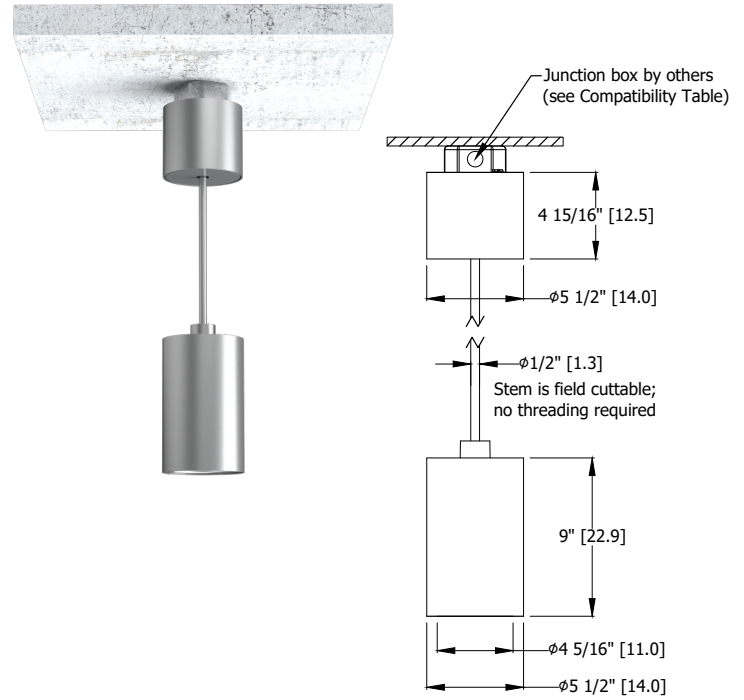
*Dimensions in inches [centimeters]

DIMENSIONAL DATA

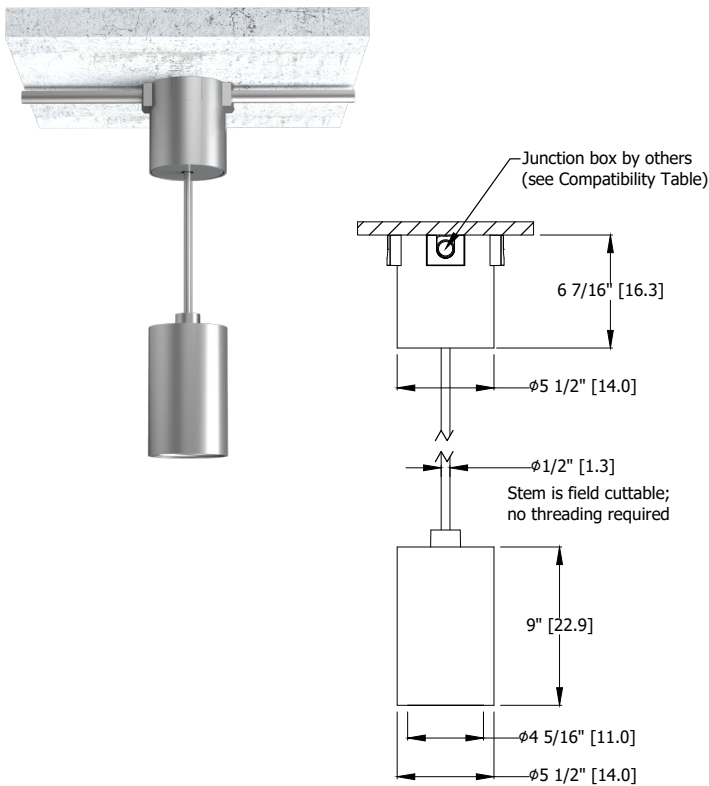
SGB Surface Gear Box for EDXB Recessed J-Box



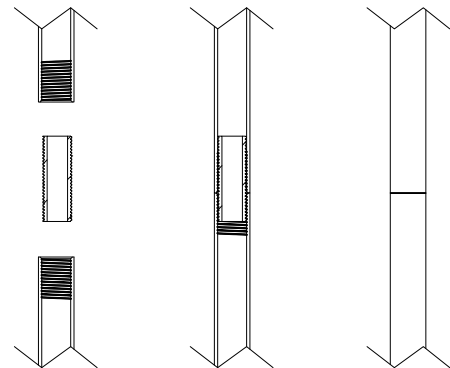
SGB Surface Gear Box for EDXB Surface J-Box



SGBCC Surface Gear Box for EDXB with Conduit Covers



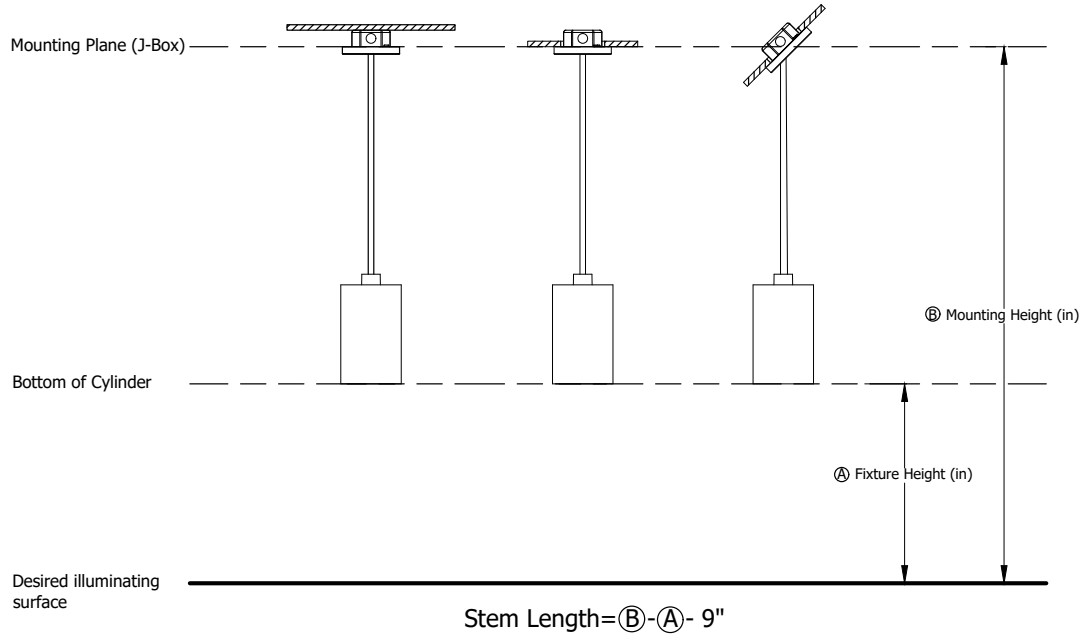
Stem Connection Method



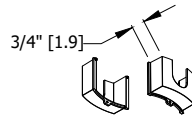
*Dimensions in inches [centimeters]

DIMENSIONAL DATA

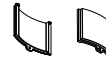
Stem Cutting Formulas for JBX / JBXCC



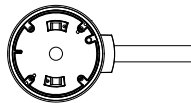
Conduit Feed Examples and Keys



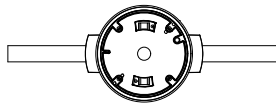
Conduit Key
(4) provided with each,
for use with 1/2" or 3/4" conduit



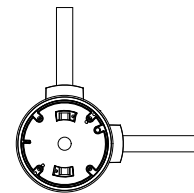
Blank Key
(4) provided with each



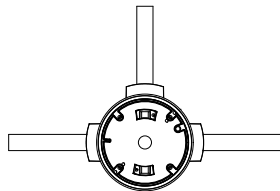
Single Conduit Feed



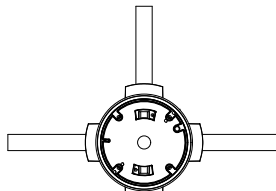
Double 180° conduit



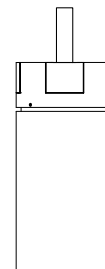
Double 90° conduit



Triple 0°, 90° & 180° conduit



Quad 0°, 90°, 180°, & 270° conduit

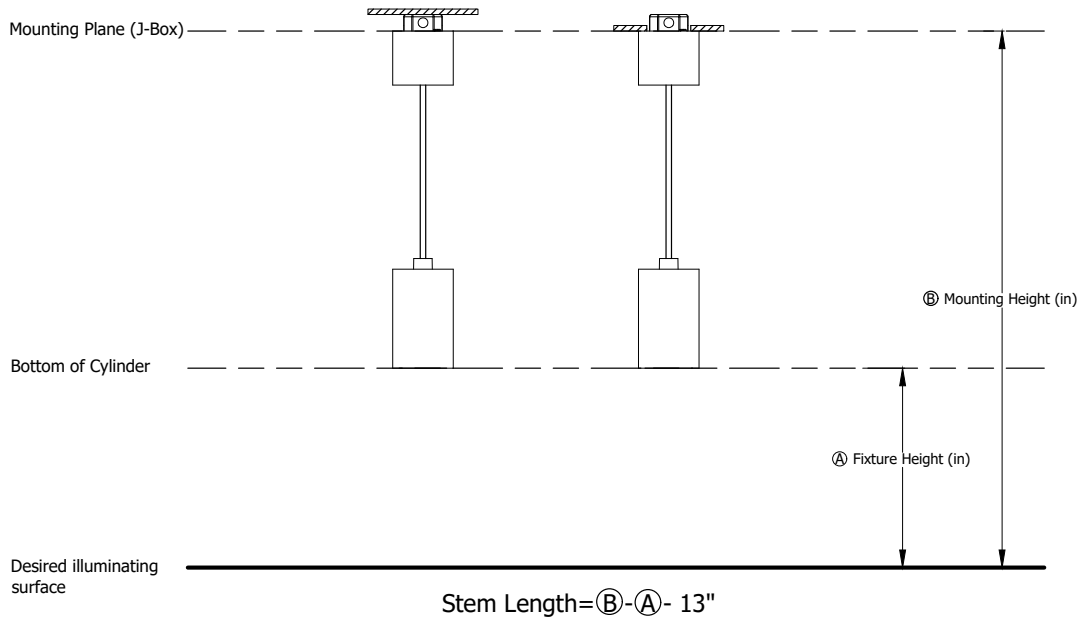


Top conduit feed

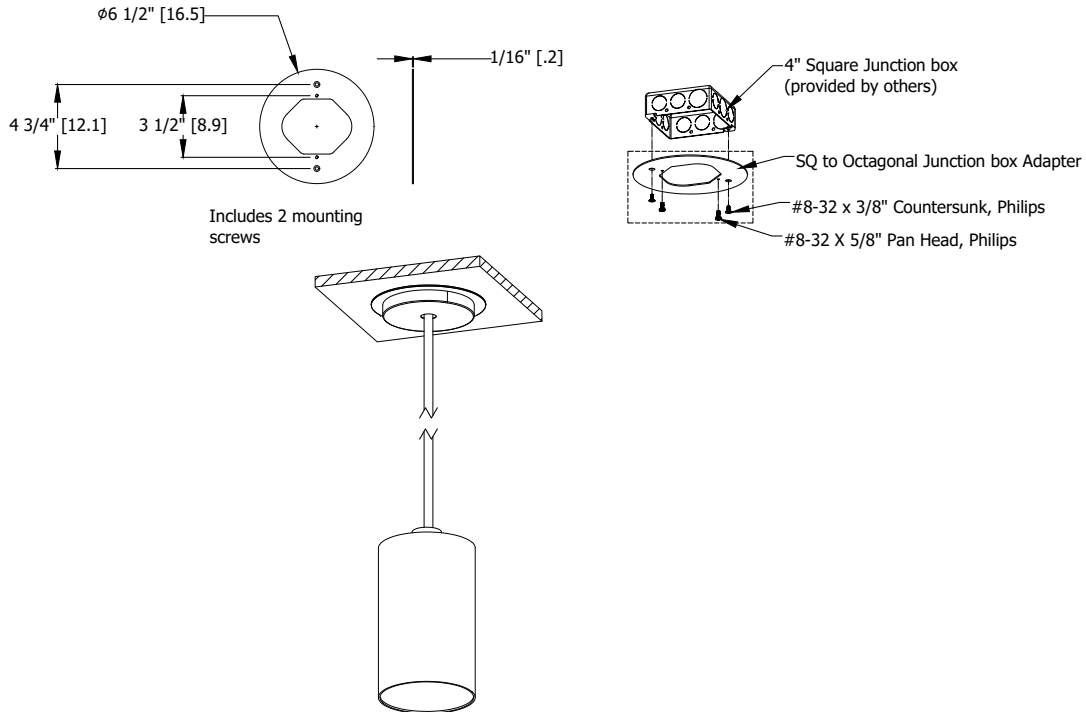
*Dimensions in inches [centimeters]

DIMENSIONAL DATA

Stem Cutting Formulas for SGB



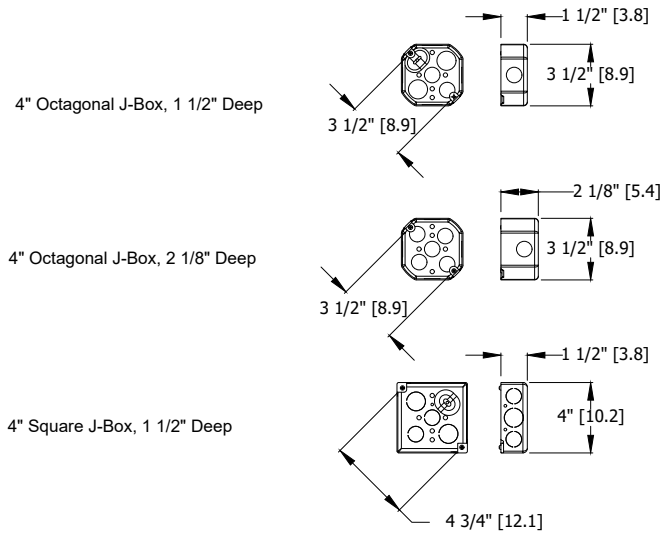
Cylinder Adaptor Plate



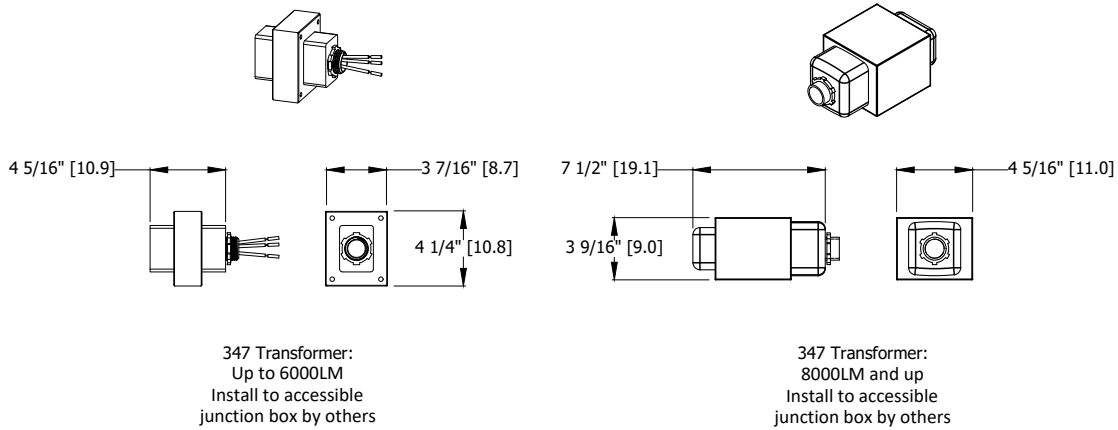
*Dimensions in inches [centimeters]

DIMENSIONAL DATA

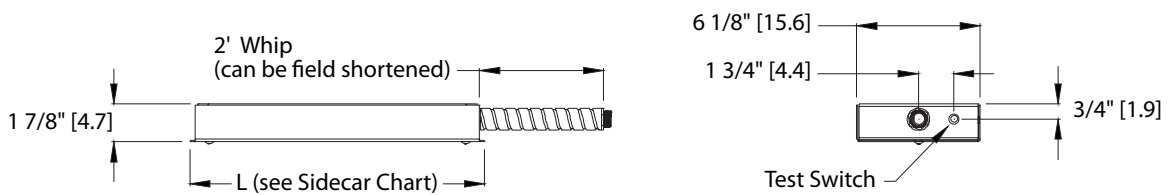
Junction Box Dimensions (by others)



347V Stepdown Transformer



Emergency Battery Sidecar Dimensions

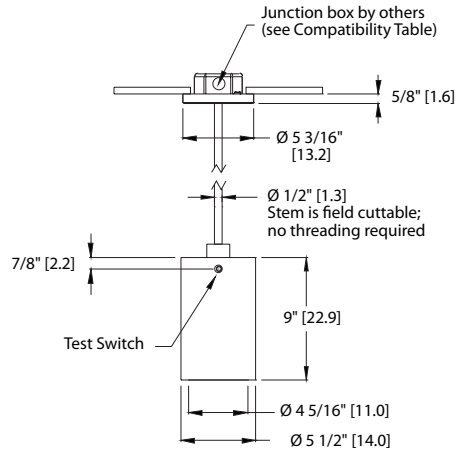


SIDECAR BATTERY OPTION	LUMEN PACKAGES AVAILABLE	L (SIDECAR LENGTH)
E7WCP	750LM AND GREATER EXCEPT AS NOTED BELOW	14"
	6000-8000LM 5000-8000LM WITH ECOD DRIVER	16"
E10WCP	1000LM AND GREATER EXCEPT AS NOTED BELOW	14"
	6000-8000LM 5000-8000LM WITH ECOD DRIVER	16"
E15WCP	1500LM AND GREATER	16"

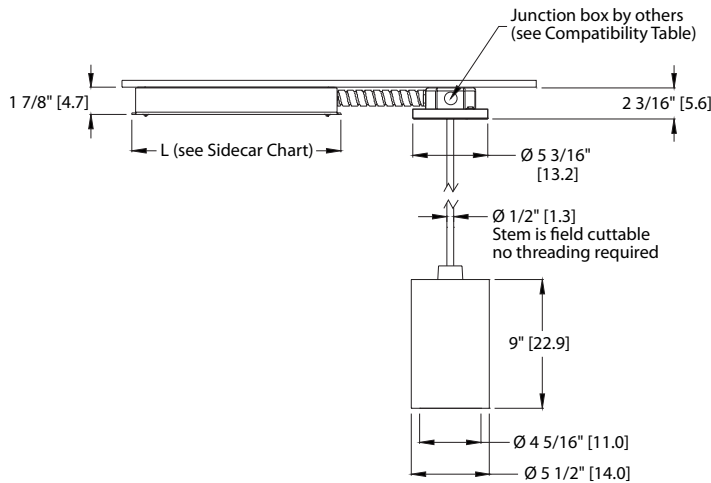
*Dimensions in inches [centimeters]

DIMENSIONAL DATA

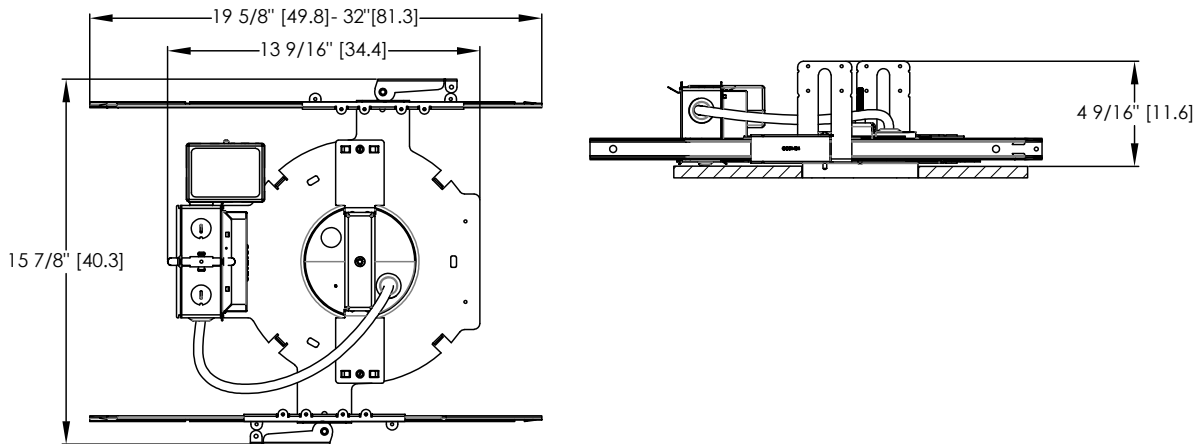
6W Integral Emergency Battery



7W/10W/15W Sidecar Emergency Battery



RGH Standard

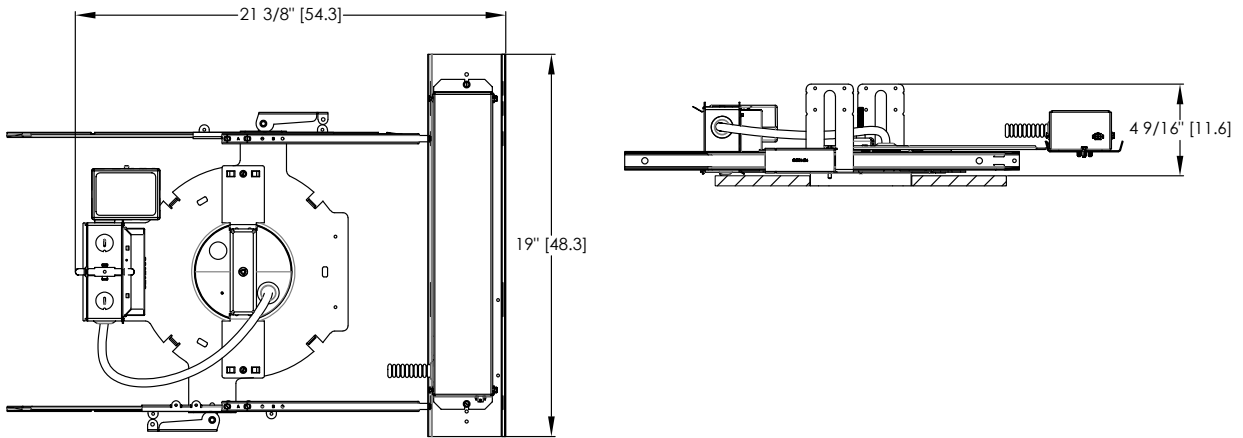


Ceiling thickness range: 1/2" [1.3] to 3" [7.6]
 Ceiling cutout: 5 1/16" [12.9]

*Dimensions in inches [centimeters]

DIMENSIONAL DATA

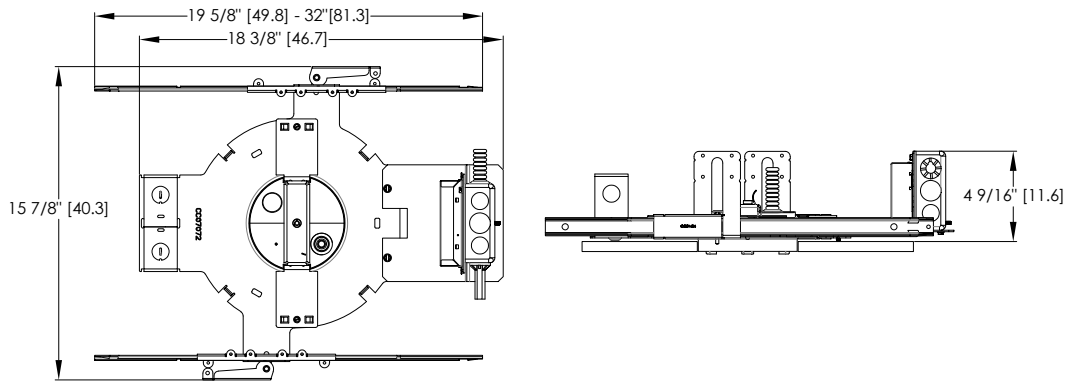
RGH with Battery Backup (E10WCPR/E10WCP) Standard



With Emergency Battery or GTD option

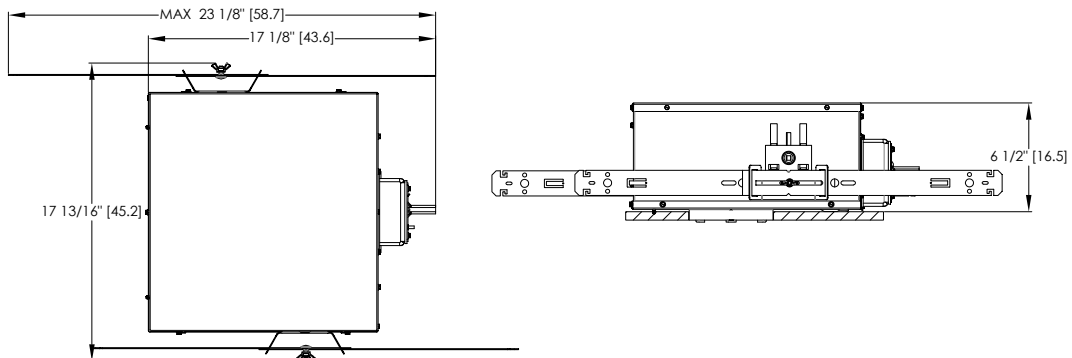
Minimum plenum height for emergency batteries in non-accessible ceilings: 12 1/2" [31.8]
 Ceiling thickness range: 1/2" [1.3] to 3" [7.6]
 Ceiling cutout: 5 1/16" [12.9]

RGH CP Standard



Ceiling thickness range: 1/2" [1.3] to 3" [7.6]
 Ceiling cutout: 5 1/16" [12.9]

RGH with Chicago Plenum (CP) for use with nLight Enclosed

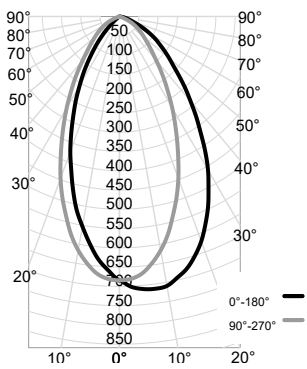


Ceiling thickness range: 1/2" [1.3] to 3" [7.6]
 Ceiling cutout: 5 1/16" [12.9]

*Dimensions in inches [centimeters]

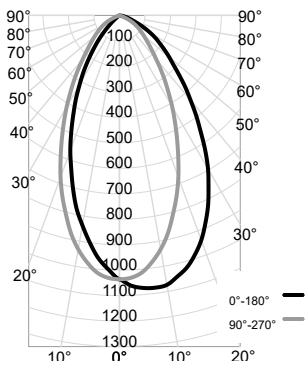
Photometry

ICO4PCLW 35/10 AR LSS Input Watts: 8.4, Delivered Lumens: 725, LPW: 86.3, S/MH: 1.05, Test No: ISF 201863P159



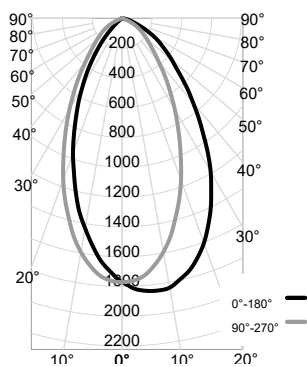
CP Summary		Zonal Lumen Summary			Luminance (cd/sq.m)	
	0°	90°	Zone	Lumens	% Fixture	Average Luminance
0°	684	684	0° - 30°	392	54%	0° 86,143
5°	710	669	0° - 40°	536	74%	45° 39,040
15°	677	535	0° - 60°	689	95%	55° 28,268
25°	544	353	0° - 90°	725	100%	65° 18,298
35°	367	205	90° - 180°	0	0%	75° 9,638
45°	219	110	0° - 180°	725	100%	85° 954
55°	129	63				
65°	61	25				
75°	20	1				
85°	1	0				
90°	0	0				

ICO4PCLW 35/15 AR LSS Input Watts: 14.0, Delivered Lumens: 1098, LPW: 78.4, S/MH: 1.05, Test No: ISF 201863P161



CP Summary		Zonal Lumen Summary			Luminance (cd/sq.m)	
	0°	90°	Zone	Lumens	% Fixture	Average Luminance
0°	1,036	1,036	0° - 30°	594	54%	0° 130,380
5°	1,074	1,013	0° - 40°	811	74%	45° 59,089
15°	1,024	810	0° - 60°	1,043	95%	55° 42,785
25°	823	535	0° - 90°	1,098	100%	65° 27,694
35°	555	310	90° - 180°	0	0%	75° 14,587
45°	332	166	0° - 180°	1,098	100%	85° 1,444
55°	195	96				
65°	93	38				
75°	30	2				
85°	1	0				
90°	0	0				

ICO4PCLW 35/25 AR LSS Input Watts: 23.5, Delivered Lumens: 1877, LPW: 79.9, S/MH: 1.05, Test No: ISF 201863P165



CP Summary		Zonal Lumen Summary			Luminance (cd/sq.m)	
	0°	90°	Zone	Lumens	% Fixture	Average Luminance
0°	1,771	1,771	0° - 30°	1,015	54%	0° 222,917
5°	1,836	1,732	0° - 40°	1,386	74%	45° 101,027
15°	1,751	1,385	0° - 60°	1,783	95%	55° 73,152
25°	1,407	915	0° - 90°	1,877	100%	65° 47,350
35°	949	530	90° - 180°	0	0%	75° 24,941
45°	568	284	0° - 180°	1,877	100%	85° 2,469
55°	333	164				
65°	159	65				
75°	51	3				
85°	2	0				
90°	0	0				

nLight® AIR is the ideal solution for retrofit or new construction spaces where adding communication wiring is cost prohibitive. The integrated nLight AIR rPP20 Power Pack is part of each EVO Luminaire ordered with the NLTAIR option. These individually addressable controls offer the ultimate in flexibility during initial setup and for space repurposing.

nLight® AIR Control Accessories
Order as separate catalog number. Visit [nLight AIR](#).

Wall Switches	Model Number
On/Off single pole	rPODB (color) G2
On/Off two pole	rPODB 2P (color) G2
On/Off & raise/lower single pole	rPODB DX (color) G2
On/Off & raise/lower two pole	rPODB 2P DX (color) G2

nLight® AIR Control Accessories (cont.)

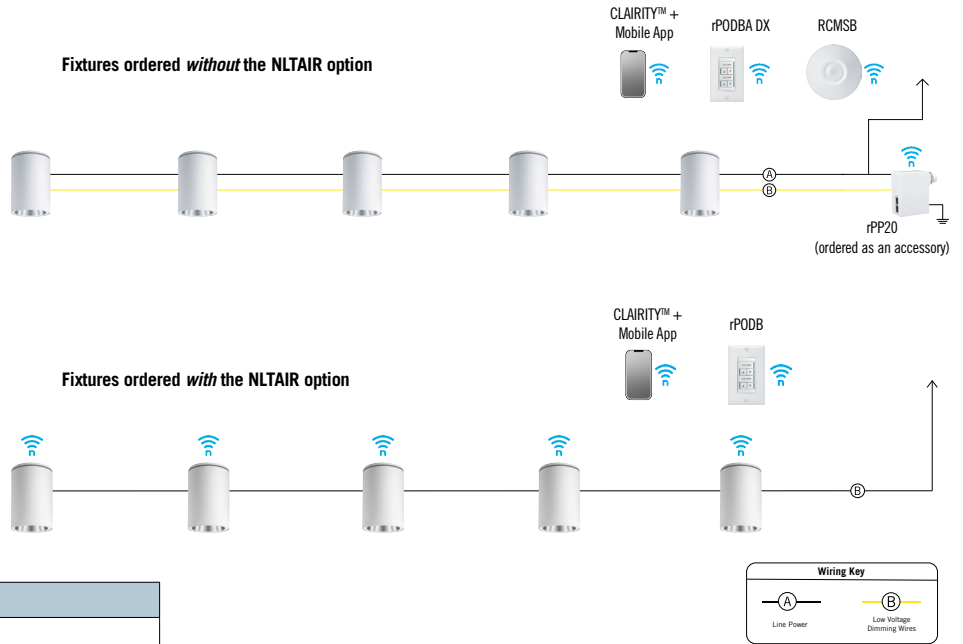
Occupancy Sensors (PIR/dual tech)	Model Number
Small motion 360°, ceiling	rCMS 9 / rCMS PDT 9
Large motion 360°, ceiling	rCMS 10 / rCMS PDT 10

UL924 Sequence of Operation

The below information applies to all nLight AIR devices with an EM option.

- EM devices will remain at their high-end trim and ignore wireless lighting control commands, unless a normal-power-sensed (NPS) broadcast is received at least every 8 seconds.
- Using the CLAIRITY+ mobile app, EM devices must be associated with a group that includes a normal power sensing device to receive NPS broadcasts.
- Only non-emergency rPP20, rLSXR, rSBOR, rSDGR, and nLight AIR luminaires with version 3.4 or later firmware can provide normal power sensing for EM devices. See specification sheets for control devices and luminaires for more information on options that support normal power sensing.

Possibilities for nLight® AIR



nLight® Wired The nLight® solution is a digital networked lighting control system that provides both energy savings and increased user configurability by cost effectively integrating time-based, daylight-based, sensor-based and manual lighting control schemes.

nLight® Wired Control Accessories
Order as separate catalog number. Visit [nLight](#).

Wall Switches	Model Number
On/Off single pole	nPODM (color)
On/Off two pole	nPODM 2P (color)
On/Off & raise/lower single pole	nPOD DX (color)
On/Off & raise/lower two pole	nPODM 2P DX (color)
Graphic touchscreen	nPOD GFX (color)

Photocell Controls	Model Number
Dimming	nCM ADCX

nLight® Wired Control Accessories (cont.)

Occupancy Sensors (PIR/dual tech)	Model Number
Small motion 360°, ceiling	nCM 9 / nCM PDT 9
Large motion 360°, ceiling	nCM 10 / nCM PDT 10
Wide View	nWV 16 / nWV PDT 16
Wall switch with raise/lower	nWSX LV DX / nWSX PDT LV DX

Cat-5 Cables (plenum rated)	Model Number
10', CAT5	CAT5 10FT J1
15', CAT5	CAT5 15FT J1

Possibilities for nLight® wired

