

OVERVIEW

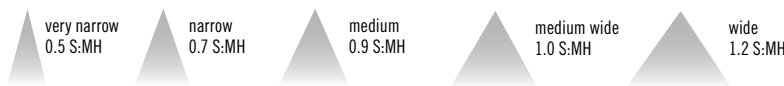
General Illumination Pendant Stem Cylinder with nTune

6"

Feature Set

- Tunable White solutions (2700K-6500K, 3000K-5000K) reproduce natural light patterns and colors, complement materials, and support productivity.
- WARMDIM® Range (3000K-1800K) for relaxing; warm and comfortable when dimmed
- Batwing distribution with feathered edges provides even illumination on horizontal and vertical surfaces
- 45° cutoff to source and source image
- Fixtures are damp location standard; wet location option (WL)
- 70% lumen maintenance at 60,000 hours
- 2.5 SDCM; 85 CRI typical, 90+ CRI optional
- Field cuttable 1/2" stems with concealed couplers.
- 20 standard colors in textured and gloss finish; custom or RAL colors also available

Distribution



Superior Performance

Nominal	750	1000	1500	2000	2500	3000	3500	4000	4500	5000
Delivered	850	1028	1401	1915	2469	2940	3527	4044	4722	4994
Wattage	9	10	14	19	24	28	34	40	48	50
Lumens per Watt	93	99	100	103	102	105	103	102	99	100

*80 CRI, 3500K



COMPLEMENTARY PRODUCTS

Coordinated Apertures | Multiple Layers of Light



General Illumination Layer | EVO




High Center Beam Layer | Incito



EVO + Incito — Multiple Layers of Light

Core	Downlight	Adjustable	Open Wallwash	Lensed Wallwash	Cylinder	Pinhole	Bevel	Hyperbolic
Healthcare	MRI	Surgical Suite	Patient Room					
Special Applications	Dynamic	Food Service	Vandal/Tamper	Clean Room	Shower	Steam Room		

ORDERING INFORMATION

 A+ Capable options indicated by this color background.

Luminaire Type:

Catalog Number:

EXAMPLE: EVO6PC TUWH RHYR/30 AR MWD LSS MVOLT JBX PCAN S12 ZT DWHG

Series	Dynamic Feature	Dynamic Range ¹	Lumens ²	Reflector Color	Distribution		
EVO6PC EVO 6in Pendant Stem Round Cylinder Open Downlight	TUWH Tunable White	PROR/ Productivity Range (3000K-5000K)	02 250 lumens	AR Clear	VND Very narrow (0.5 s/mh)		
			05 500 lumens				
	WDIM Warm Dimming	RHYR/ Rhythm Range (2700K-6500K)	07 750 lumens	PR Pewter	ND Narrow (0.7 s/mh)		
			10 1000 lumens				
	HALR/ Halogen Range (3000K-1800K)		15 1500 lumens	WTR Wheat	MD Medium (0.9 s/mh)		
			20 2000 lumens				
			25 2500 lumens			GR Gold	MWD Medium wide (1.0 s/mh)
			30 3000 lumens				
			35 3500 lumens			WR ³ White painted	WD Wide (1.2 s/mh)
			40 4000 lumens				
			45 4500 lumens			BR ³ Black	
			50 5000 lumens				
			WRAMF ³ White Anti-microbial				
			BZR ³ Dark Bronze painted				
			TRALTB ³ Trim RAL # TBD (TBD for pricing only)				
			TCPC ³ Trim Custom Paint Color TBD (TBD for pricing only)				

Reflector Finish	Voltage	Mounting	Canopy Type	Stem Length ⁸
LSS Semi-specular	MVOLT 120V - 277V	JBX ⁵ Integral driver, Recessed or Surface J-box	PCAN 5° Stem canopy with "hang straight" swivel	S2 2 foot 5/8" stem
LD Matte diffuse	120 120V	JBXCC ⁵ Integral driver, Surface J-box with Conduit Covers	PCAN45 45° Stem canopy with "hang straight" swivel	S4 4 foot 5/8" stem
LS Specular	277 277V	RGH ⁶ Recessed gear housing		S6 6 foot 5/8" stem
	347 ⁴ 347V	SGB ⁷ Surface gear box. Recessed or surface J-box		S8 8 foot 5/8" stem
		SGBCC ⁷ Surface gear box (for driver at ceiling), surface J-box with Conduit Covers.		S10 10 foot 5/8" stem
				S12 12 foot 5/8" stem

Control Interface	Options	Architectural Colors - Powder Paint ¹¹
NLT ⁹ nLight nTune interface	SF Single fuse. Specify 120V or 277V.	DDB Gloss Dark Bronze
NLTER ⁹ nLight nTune interface with emergency circuit	90CRI High CRI (90+)	DBL Matte Black
ZT 0-10V dimming	WL ¹⁰ Wet Location	DWH Gloss White
DALI DALI logarithmic dimming to <1%.		DMB Matte Medium Bronze
		DNA Gloss Natural Aluminum
		DSS Gloss Sandstone
		DGC Gloss Charcoal Grey
		DTG Gloss Tennis Green
		DBR Gloss Bright Red
		DSB Gloss Steel Blue
		DDBT Textured Dark Bronze
		DBLB Textured Black
		DWHG Textured White
		DBNH Textured Bronze
		DNAT Textured Natural Aluminum
		DSST Textured Sandstone
		DSPD Textured Dark Grey
		DSPE Textured Green
		DSPH Textured Light Red
		DWHAMF Gloss White with Anti-microbial finish
		RALTB Cylinder RAL # TBD (TBD for pricing only)
		CPCTBD Cylinder Custom Paint Color TBD (TBD for pricing only)

ACCESSORIES — order as separate catalog numbers (shipped separately)

CYLJBXADPT 4SQ2OCT ___ 4in Square J-box to 4in Octagonal J-box adaptor. Replace ___ with Architectural Color or PRM for primed ready for field painting

ORDERING NOTES

- PROR and RHYR available only with TUWH. HALR available only with WDIM.
- Nominal lumen values when tested at 3500K.
- Not available with Reflector Finishes.
- Factory supplied step down transformer must be remote mounted. Access required to location of remote mounted device.
- For use only with DALI driver option.
- For use with DALI, NLT, NLTER or ZT Control Interface options.
- For use with DALI and ZT Control Interface options.
- Stem section adjacent to cylinder can be cut in field to achieve non-uniform lengths (i.e. for a field cut 3' length, order 4' stem).
- TUWH + NLT/NLTER requires RGH mounting and power from nLight network bridge or nPS 80. WDIM + NLT/NLTER available factory installed with RGH; nLight field installed with other mounting types. Access required to location of remote mounted.
- Not available with JBXCC or SGBCC.
- For details on RAL and Custom colors please see Architectural colors.

Optical Assembly

Fully serviceable and upgradeable lensed LED light engine suitable for field maintenance or service from below the ceiling. Optical design is a Bounding Ray™ design with 45° cutoff to source and source image. Top down flash characteristic for superior glare control.

Electrical

The luminaire shall operate from a 50 or 60 Hz ±3 Hz AC line over a voltage ranging from 120 VAC to 277 VAC. The fluctuations of line voltage shall have no visible effect on the luminous output.

The luminaire shall have a power factor of 90% or greater at all standard operating voltages and full luminaire output.

Sound Rated A+. Driver shall be >80% efficient at full load across all input voltages.

Input wires shall be 18AWG, 300V minimum solid copper.

Controls

Tunable white nTune™ is an all-digital light color temperature control within an nLight enabled luminaire.

nTune™ allows color temperature settings through the Productivity Range of 3000K to 5000K or Rhythm Range of 2700K to 6500K. Refer to nLight Programming User's Guide for instructions on customizing your application with SensorView™.

Dimming

The luminaire shall be capable of continuous dimming without perceivable stroboscopic flicker as measured by flicker index (ANSI/IES RP-16-10) over a range of 100 – 0.1% of rated lumen output with a smooth shut off function to step to 0%.

Construction

Heaving-gauge aluminum construction. Extruded cylinder body with flangeless reflector allows flow-through passive thermal management. Canopy matches cylinder in finish and diameter.

Pendant stem mount for installation to 4" recessed or surface octagonal junction box with integral driver.

Recessed gear box available for driver above ceiling, nLight, or battery pack options.

Surface gear box available for driver at ceiling installation.

Optional field configurable conduit covers available. Conduit covers match cylinder in finish and diameter.

WARNING: All pendant fixtures exposed to wind require tethering – contact factory.

Listings

Fixtures are CSA Certified to meet US and Canadian Standards: All fixtures manufactured in strict accordance with the appropriate and current requirements of the "Standards for Safety" to UL, damp location standard; wet location covered ceiling optional (WL).

Photometrics

LEDs tested to LM-80 standards. Measured by IESNA Standard LM-79-08 in an accredited lab. Lumen output shall not decrease by more than 30% over the minimum operational life of 60,000 hours.

Color appearance from luminaire to luminaire of the same type and in all configurations, shall be consistent both initially and at 60,000 hours and operate within a tolerance of <2.5 MacAdam ellipse as defined by the center of the quadrangles defined in ANSI C78.377-2015.

Buy American Act

This product is assembled in the USA and meets the Buy America(n) government procurement requirements under FAR, DFARS and DOT regulations. Please refer to www.acuitybrands.com/buy-american for additional information.

Warranty

5-year limited warranty. This is the only warranty provided and no other statements in this specification sheet create any warranty of any kind. All other express and implied warranties are disclaimed. Complete warranty terms located at: www.acuitybrands.com/support/warranty/terms-and-conditions

Note:

Actual performance may differ as a result of end user environment and application. All values are design or typical values, measured under laboratory conditions at 25 °C.

A+ Capable Luminaire

This item is an A+ capable luminaire, which has been designed and tested to provide consistent color appearance and out-of-the-box control compatibility with simple commissioning.

- All configurations of this luminaire meet the Acuity Brands' specification for chromatic consistency
- This luminaire is part of an A+ Certified solution for nLight® control networks when ordered with drivers marked by a shaded background*
- This luminaire is part of an A+ Certified solution for nLight® control networks, providing advanced control functionality at the luminaire level, when selection includes driver and control options marked by a shaded background*

To learn more about A+, visit www.acuitybrands.com/aplus.

*See ordering tree for details

Tables of Use

Driver Default Dimming Curve			
Nomenclature	Min Dimming	Driver Dim Curve	Control Dim Curve
ZT	0.1%	Linear	Linear/Logarithmic
DALI	0.1%	Linear	Linear/Logarithmic

Distributions		
Nomenclature	Beam Angle	Field Angle
VND	30	64
ND	44	69
MD	54	82
MWD	67	89
WD	71	92

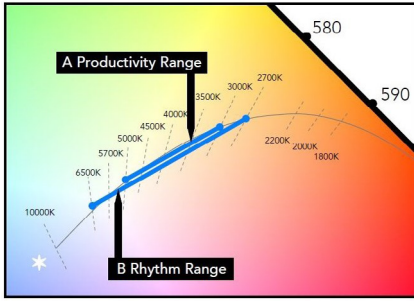
J-box Compatibility Matrix		Cylinder Configurations					
		JBX	SGB	SGBCC	SGB w/EDXB Driver	SGBCC w/EDXB Driver	JBXCC
Recommended J-box (by others)	4" Octagonal 4x4x1.5 deep"	✓	✓	✓	✓	✓	✓
	4" Octagonal 4x4x2.125 deep	✓	✓	✗	✓	✗	✗
	4" Square 4x4x1.5 deep	*with adaptor plate accessory	*with adaptor plate accessory	✗	*with adaptor plate accessory	✗	✗

Standard Architectural Color Options for Cylinder Bodies

 DSS LITHONIA P12 Sandstone	 DSST TEXTURED P90 Sandstone	 DBR LITHONIA P34 Bright Red	 DSPH TEXTURED P80 Light Red	 DMB LITHONIA P11 Medium Bronze	 DBNH TEXTURED P74 Bronze	 DTG LITHONIA P33 Tennis Green	 DSPE TEXTURED P78 Green
 DSB LITHONIA P49 Steel Blue	 DNA LITHONIA P07 Natural Aluminum	 DNAT TEXTURED P89 Natural Aluminum	 DGC LITHONIA P32 Charcoal Gray	 DSPD TEXTURED P77 Dark Grey	 DDB LITHONIA P50 Dark Bronze	 DDBT TEXTURED P88 Dark Bronze	 DBL LITHONIA P13 Black
 DBLB TEXTURED P75 Black	 DWH LITHONIA P21 White	 DWHG TEXTURED P86 White					

NOTE: These colors were carefully reproduced to give as true a depiction as possible of finished product color. Some colors, however, may vary slightly from actual appearance due to display/printing variations and limitations. Please order the GCOLORS KIT listed in the 'Accessories' section of the spec sheet for an accurate paint chip sample.

MAINSTREAM DYNAMIC TUNABLE WHITE WITH NTUNE TECHNOLOGY



Tunable white nTune™ is an all digital light color temperature control within an nLight enabled luminaire. This brings tunable white lighting control into the mainstream with repeatable, consistent results in an economical luminaire form and system already familiar to schools. Designers and facility operators are granted the freedom to tie scenes to specific activities or to complement colors or materials within a visual environment. nTune™ allows color temperature settings through the Productivity Range of 3000K to 5000K or Rhythm Range of 2700K to 6500K. Refer to nLight Programming User's Guide for instructions on customizing to your application with SensorView™.

TUNABLE WHITE GPHD

Gamut: One dimensional warm-Cool

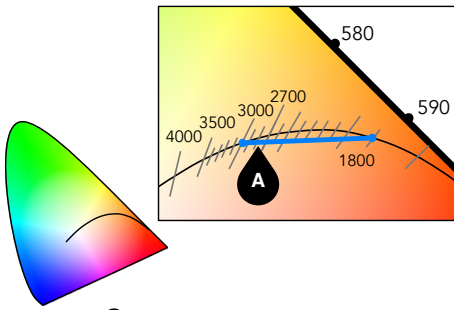
Path: Direct 3000K to 5000K (Productivity Range) or 2700K to 6500K (Rhythm Range)

Handle: Two Natural Language Handles: Intensity and CCT

Data: nLight with nTune technology for both handles of control

A Productivity Range 3000K to 5000K

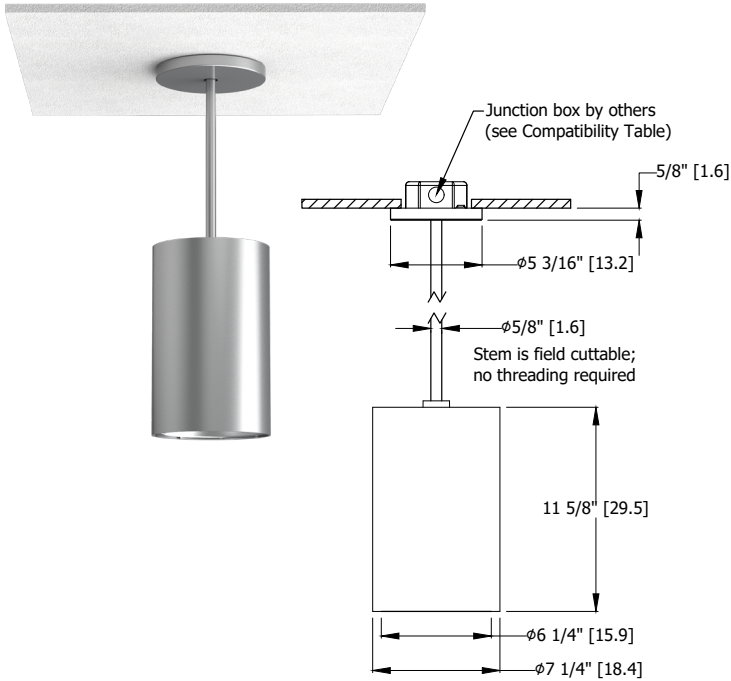
B Rhythm Range 2700K to 6500K



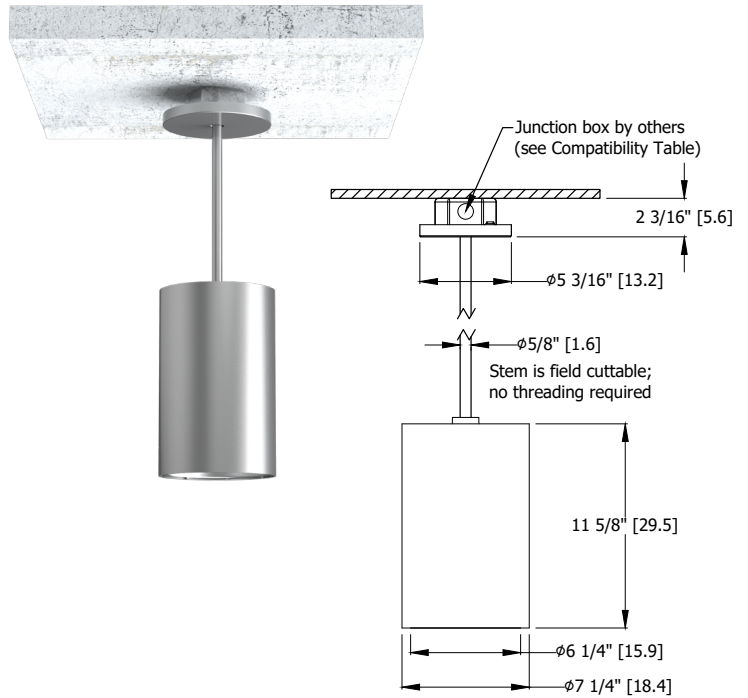
A Halogen Range 3000K to 1800K

DIMENSIONAL DATA

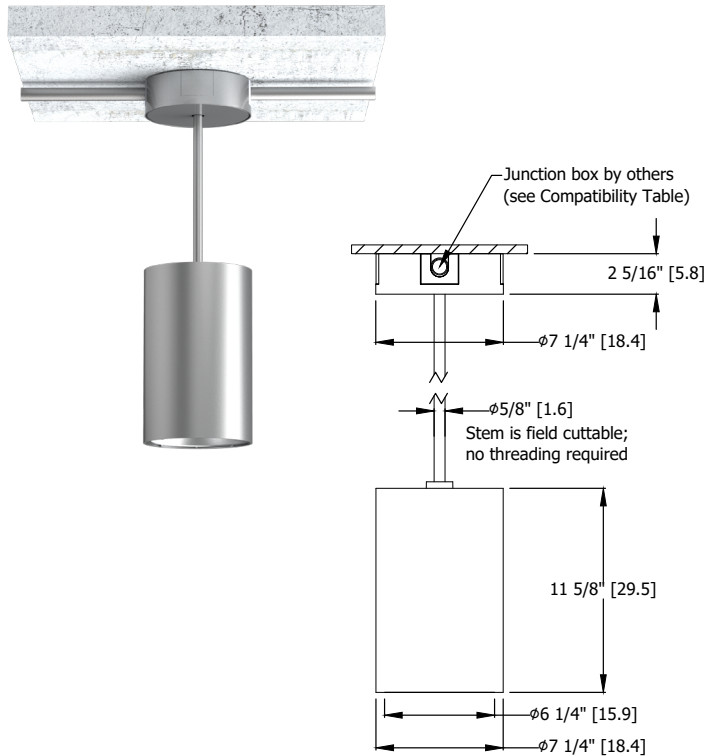
JBX Recessed J-Box



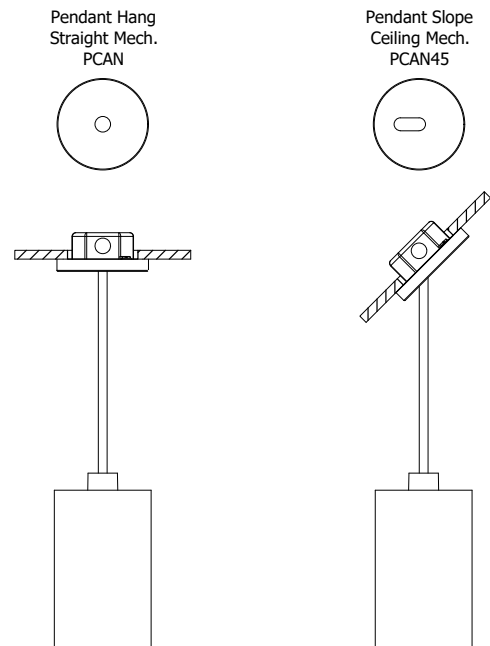
JBX Surface J-Box



JBXCC Surface J-Box with Conduit Covers



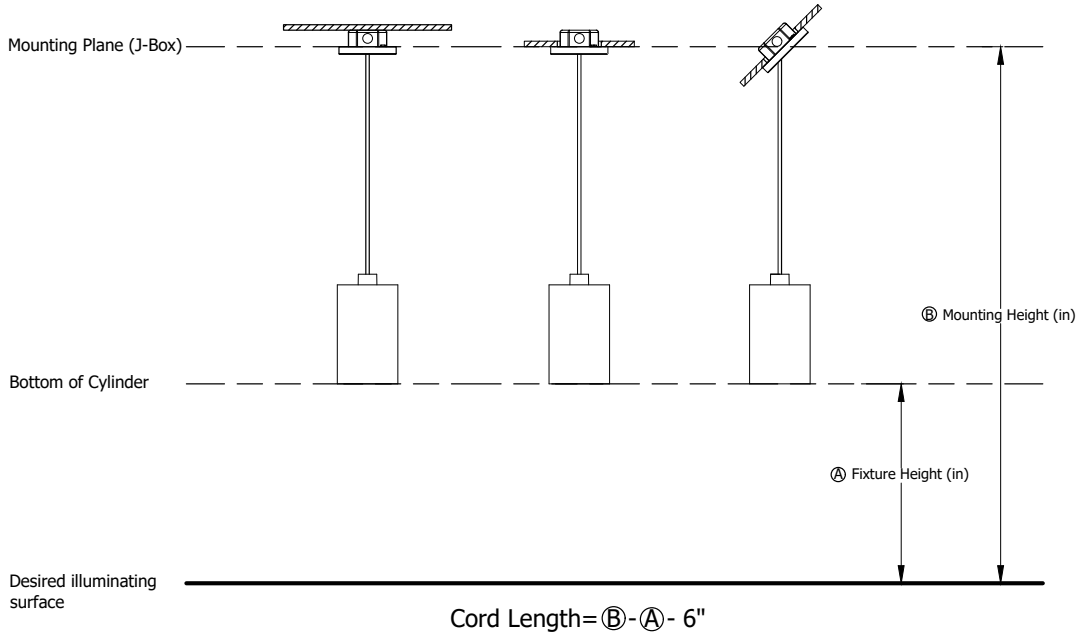
Stem_PCAN vs PCAN45



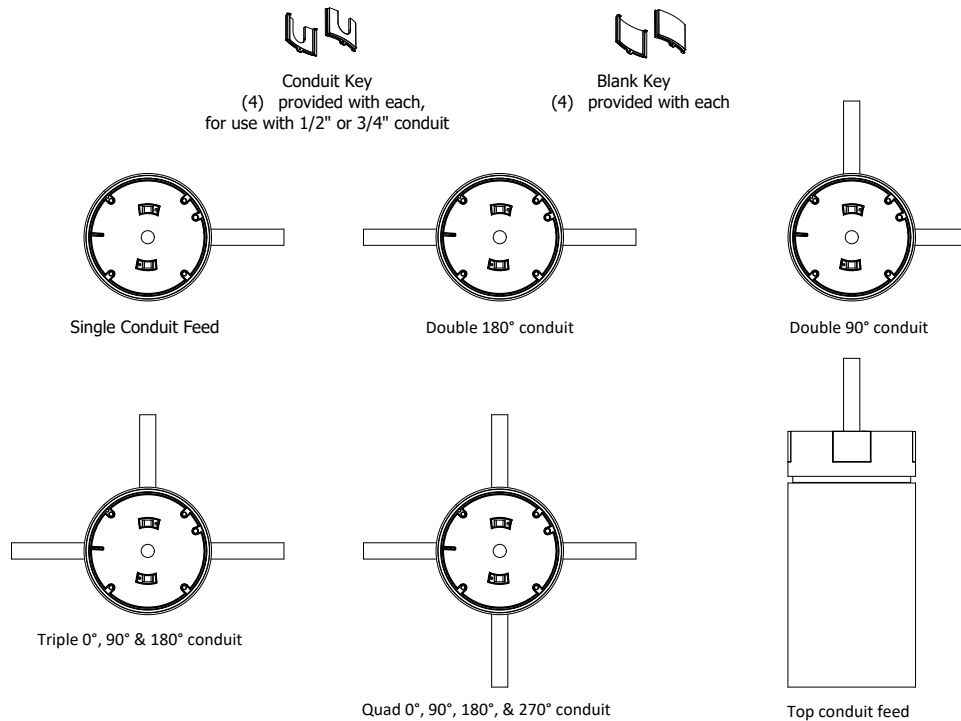
*Dimensions in inches [centimeters]

DIMENSIONAL DATA

Stem Cutting Formulas for JBX



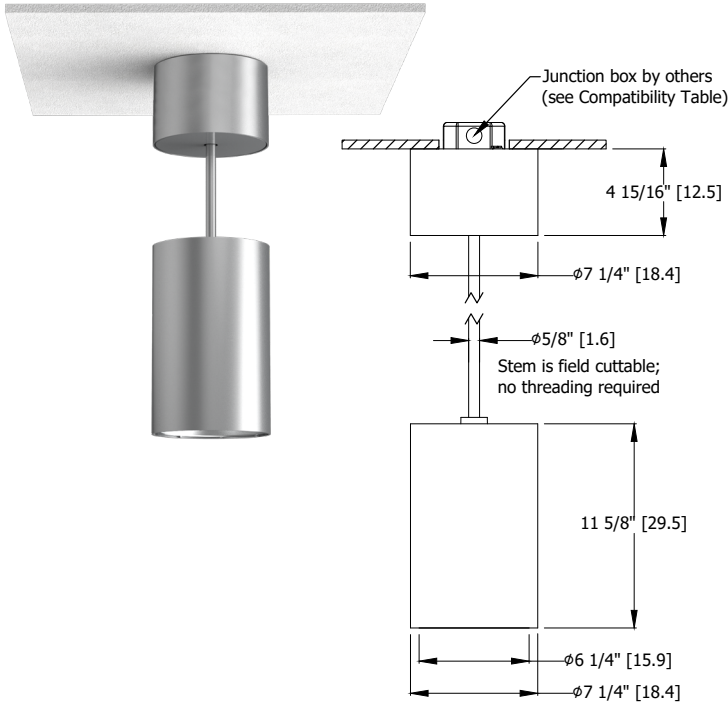
Conduit Feed Examples and Keys



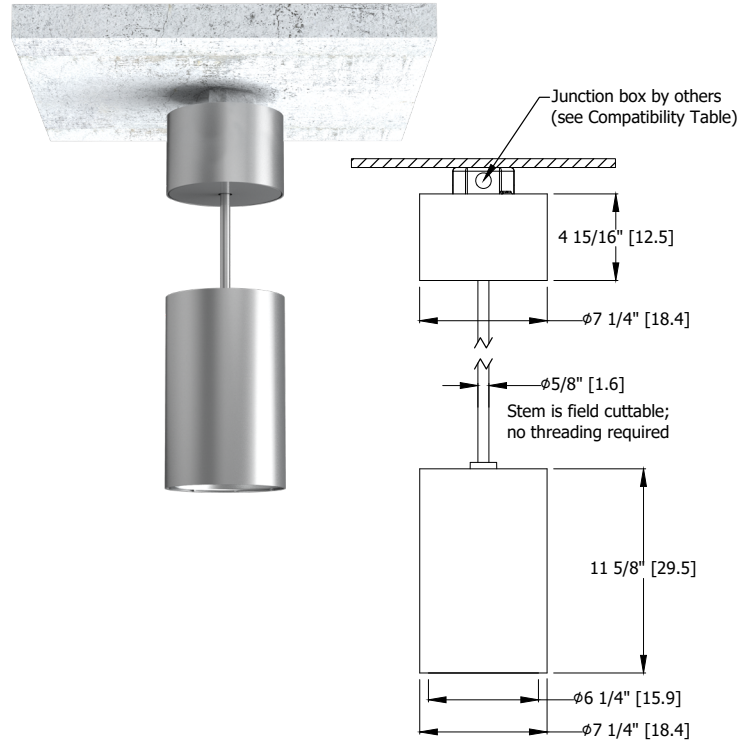
*Dimensions in inches [centimeters]

DIMENSIONAL DATA

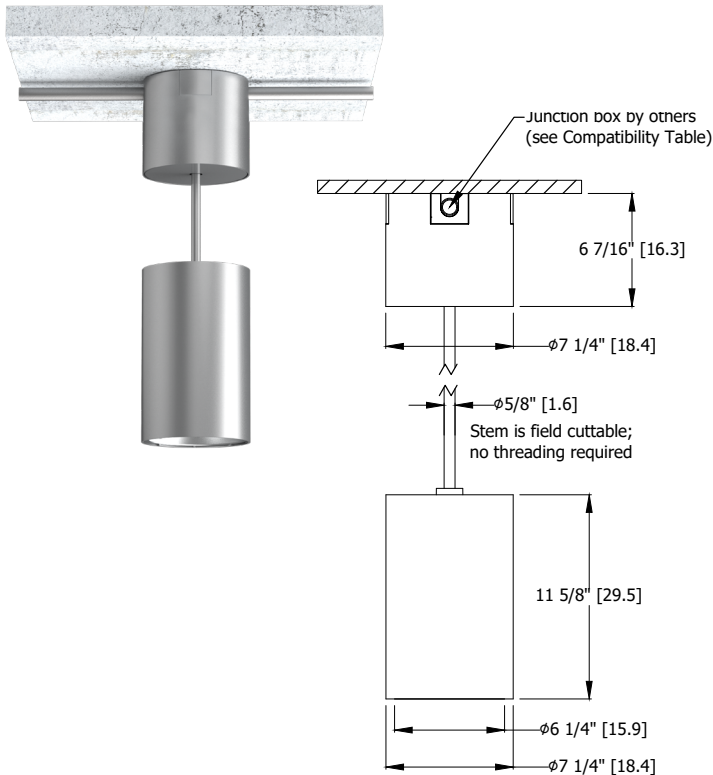
SGB Surface Gear Box for DMX recessed J-box



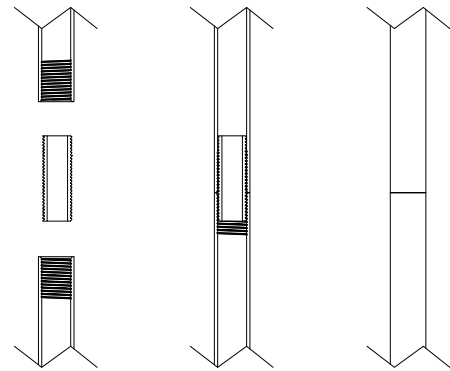
SGB Surface Gear Box for DMX surface J-box



SGBCC Surface Gear Box for DMX with Conduit Covers



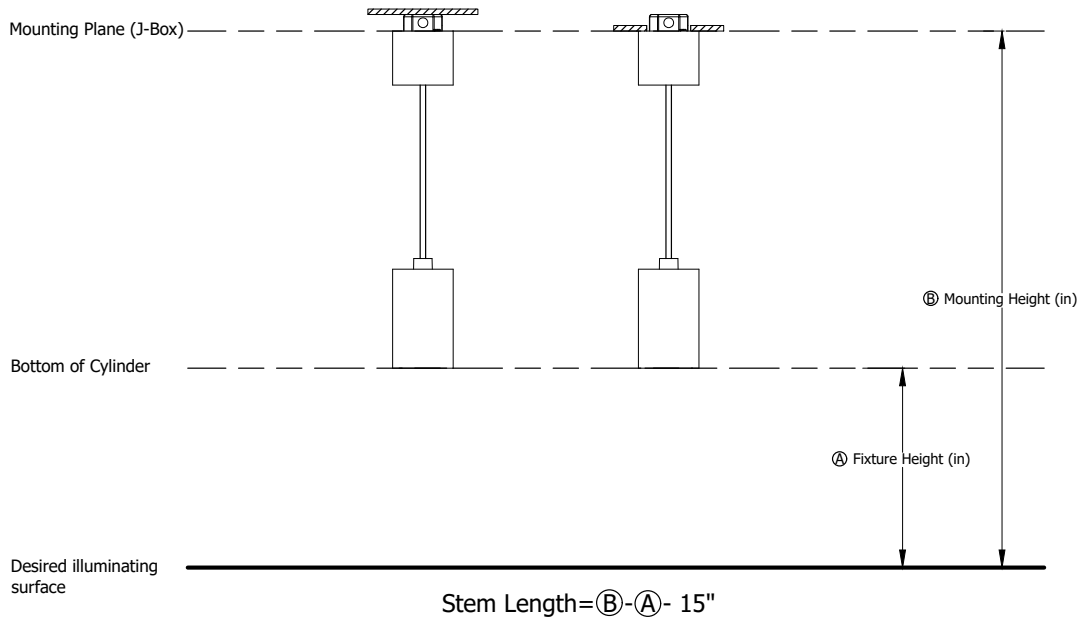
Stem Connection Method



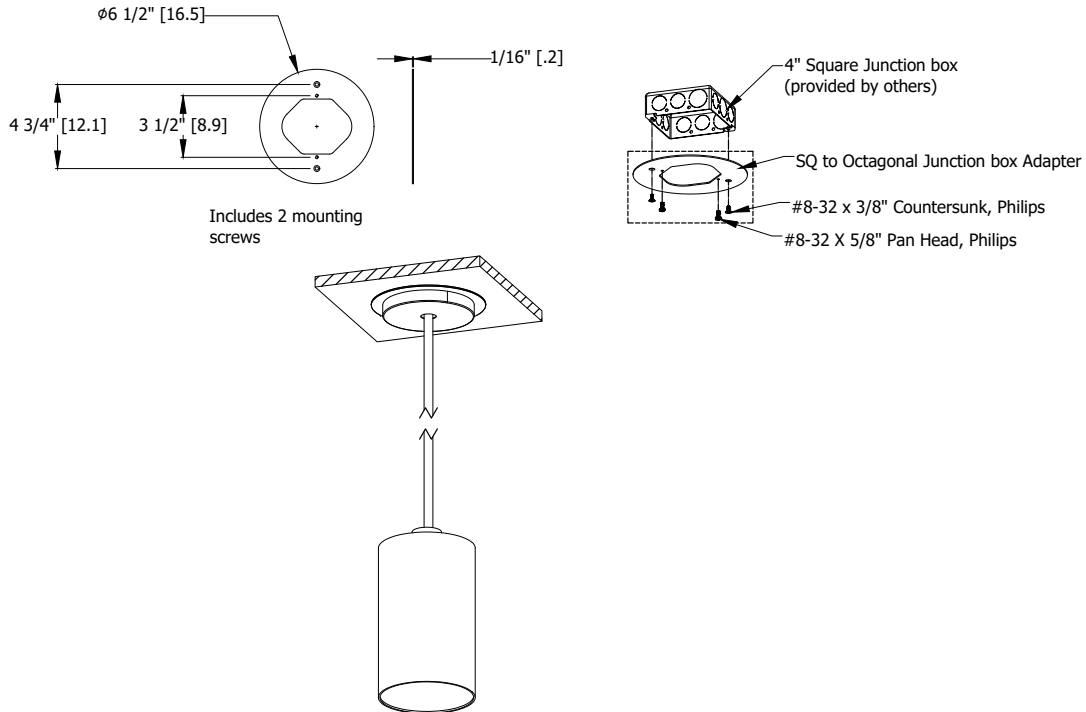
*Dimensions in inches [centimeters]

DIMENSIONAL DATA

Stem Cutting Formulas for SGB

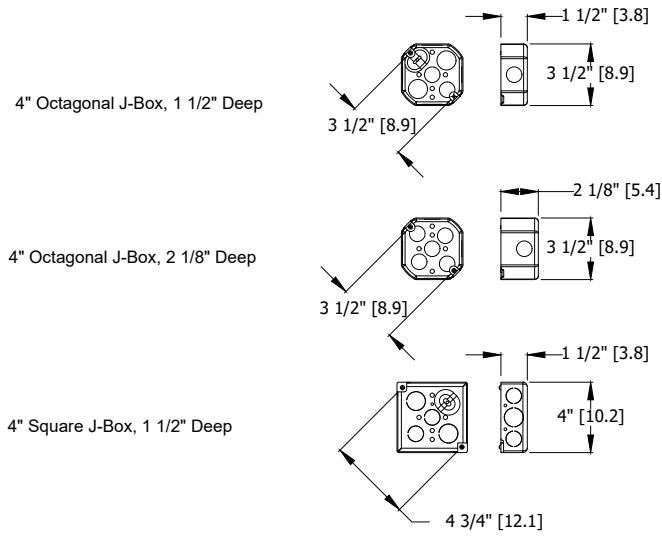


Cylinder Adaptor Plate

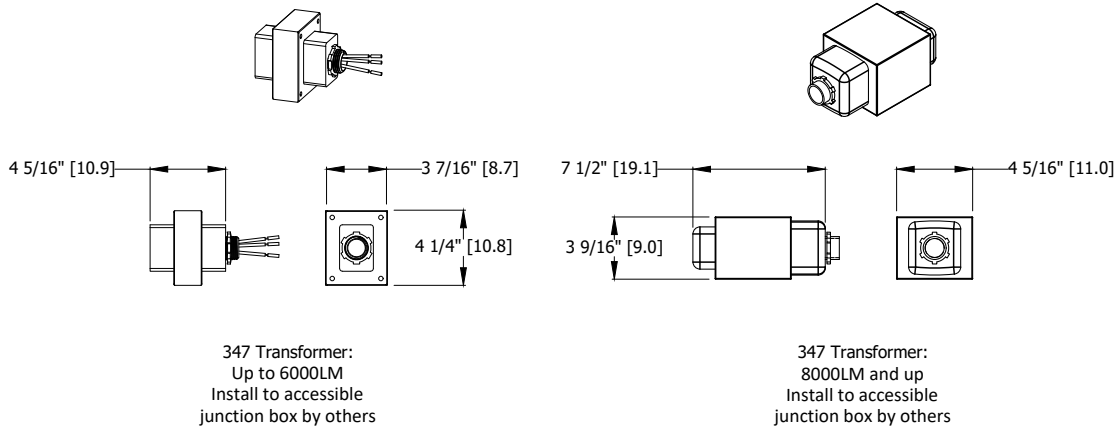


*Dimensions in inches [centimeters]

Junction Box Dimensions (by others)



347V Stepdown Transformer

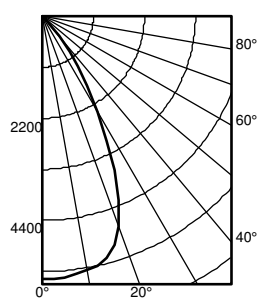


*Dimensions in inches [centimeters]

Photometry

EV06 TUWH RHYR /45 6AR LS CRI80 2700K

INPUT WATTS: 47.5, DELIVERED LUMENS: 4700, LM/W=98.9, 0.84 S/MH, TEST NO. 19-031-03P97

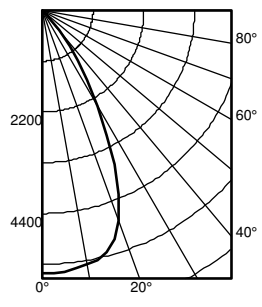


Ave Lumens	Zone Lumens % Lamp	pf pc pw	80%			70%			50%					
			50%	30%	10%	50%	30%	10%	50%	30%	10%			
0	5659	0° - 30°	3682.5	78.3	0	119	119	119	116	116	116	111	111	111
5	5666	0° - 40°	4529.3	96.4	1	111	109	107	109	107	105	105	103	102
15	5397	0° - 60°	4696.0	99.9	2	104	100	97	102	99	96	99	96	94
25	3664	0° - 90°	4700.5	100.0	3	97	93	89	96	92	88	93	90	87
35	1330	90° - 180°	0.0	0.0	4	91	86	82	90	86	82	88	84	81
45	158	0° - 180°	4700.5	*100.0	5	86	81	77	85	80	76	83	79	76
55	8				6	81	76	71	80	75	71	79	74	71
65	3				7	77	71	67	76	71	67	75	70	66
75	1				8	72	67	63	72	67	63	71	66	63
85	0				9	69	63	59	68	63	59	67	62	59
90	0				10	65	60	56	65	59	56	64	59	56

Mounting Height	Center Beam	Initial FC		Diameter	FC
		Diameter	FC		
8.0	187.1	5.0	93.5	8.2	18.7
10.0	100.6	6.9	50.3	11.1	10.1
12.0	62.7	8.7	31.3	14.1	6.3
14.0	42.8	10.5	21.4	17.1	4.3
16.0	31.1	12.4	15.5	20.0	3.1

EV06 TUWH RHYR /45 6AR LS CRI80 3500K

INPUT WATTS: 47.5, DELIVERED LUMENS: 4726, LM/W=99.5, 0.84 S/MH, TEST NO. 19-031-03P99

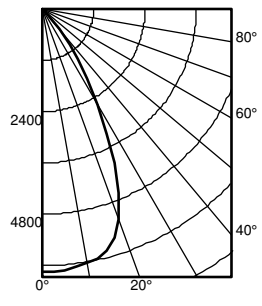


Ave Lumens	Zone Lumens % Lamp	pf pc pw	80%			70%			50%					
			50%	30%	10%	50%	30%	10%	50%	30%	10%			
0	5691	0° - 30°	3703.1	78.3	0	119	119	119	116	116	116	111	111	111
5	5698	0° - 40°	4554.5	96.4	1	111	109	107	109	107	105	105	103	102
15	5428	0° - 60°	4722.2	99.9	2	104	100	97	102	99	96	99	96	94
25	3684	0° - 90°	4726.8	100.0	3	97	93	89	96	92	88	93	90	87
35	1337	90° - 180°	0.0	0.0	4	91	86	82	90	86	82	88	84	81
45	159	0° - 180°	4726.8	*100.0	5	86	81	77	85	80	76	83	79	76
55	8				6	81	76	71	80	75	71	79	74	71
65	3				7	77	71	67	76	71	67	75	70	66
75	1				8	72	67	63	72	67	63	71	66	63
85	0				9	69	63	59	68	63	59	67	62	59
90	0				10	65	60	56	65	59	56	64	59	56

Mounting Height	Center Beam	Initial FC		Diameter	FC
		Diameter	FC		
8.0	188.1	5.0	94.0	8.2	18.8
10.0	101.2	6.9	50.6	11.1	10.1
12.0	63.1	8.7	31.5	14.1	6.3
14.0	43.0	10.5	21.5	17.1	4.3
16.0	31.2	12.4	15.6	20.0	3.1

EV06 TUWH RHYR /45 6AR LS CRI80 6500K

INPUT WATTS: 47.5, DELIVERED LUMENS: 5100, LM/W=107.4, 0.84 S/MH, TEST NO. 19-031-03P102



Ave Lumens	Zone Lumens % Lamp	pf pc pw	80%			70%			50%					
			50%	30%	10%	50%	30%	10%	50%	30%	10%			
0	6141	0° - 30°	3996.2	78.3	0	119	119	119	116	116	116	111	111	111
5	6149	0° - 40°	4915.0	96.4	1	111	109	107	109	107	105	105	103	102
15	5857	0° - 60°	5096.0	99.9	2	104	100	97	102	99	96	99	96	94
25	3976	0° - 90°	5100.9	100.0	3	97	93	89	96	92	88	93	90	87
35	1443	90° - 180°	0.0	0.0	4	91	86	82	90	86	82	88	84	81
45	172	0° - 180°	5100.9	*100.0	5	86	81	77	85	80	76	83	79	76
55	8				6	81	76	71	80	75	71	79	74	71
65	3				7	77	71	67	76	71	67	75	70	66
75	1				8	72	67	63	72	67	63	71	66	63
85	0				9	69	63	59	68	63	59	67	62	59
90	0				10	65	60	56	65	59	56	64	59	56

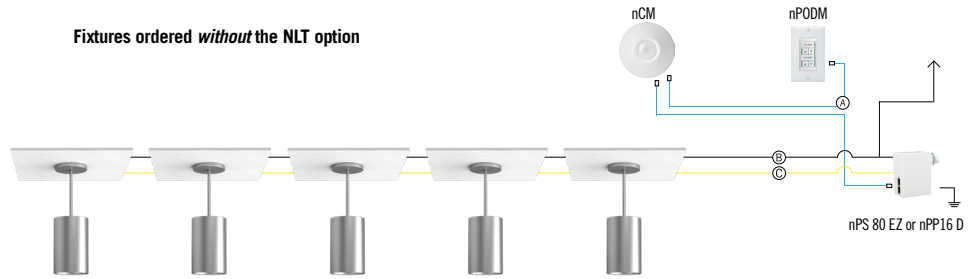
Mounting Height	Center Beam	Initial FC		Diameter	FC
		Diameter	FC		
8.0	203.0	5.0	101.5	8.2	20.3
10.0	109.2	6.9	54.6	11.1	10.9
12.0	68.0	8.7	34.0	14.1	6.8
14.0	46.4	10.5	23.2	17.1	4.6
16.0	33.7	12.4	16.8	20.0	3.4

Reflector Finish Multiplier	
Reflector Finish	Multiplier
LS - Specular	1
LSS - Semi Specular	0.956
WR - White	0.87
LD - Matte Diffuse	0.85
BR - Black	0.73
BZR - Bronze	0.73

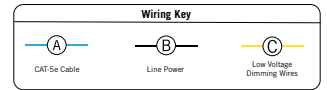
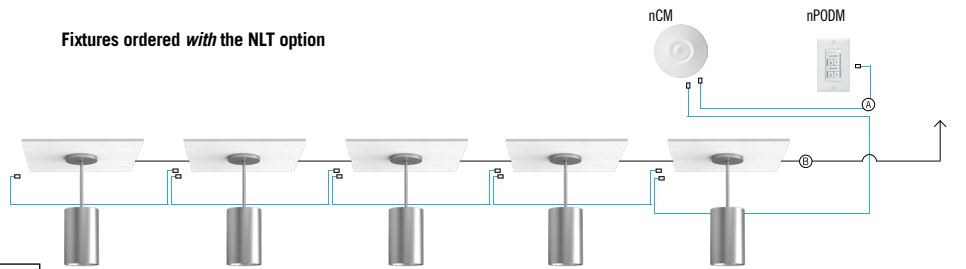
nLight® The nLight® solution is a digital networked lighting control system that provides both energy savings and increased user configurability by cost effectively integrating time-based, daylight-based, sensor-based and manual lighting control schemes.

Possibilities for nLight® wired

Fixtures ordered *without* the NLT option



Fixtures ordered *with* the NLT option



nLight® Wired Control Accessories

Order as separate catalog number. Visit [nLight](http://nLight.com).

Wall Switches	Model Number
On/Off single pole	nPODM (color)
On/Off two pole	nPODM 2P (color)
On/Off & raise/lower single pole	nPOD DX (color)
On/Off & raise/lower two pole	nPODM 2P DX (color)
Graphic touchscreen	nPOD GFX (color)
Photocell Controls	
Dimming	nCM ADCX

nLight® Wired Control Accessories (cont.)

Occupancy Sensors (PIR/dual tech)	Model Number
Small motion 360°, ceiling	nCM 9 / nCM PDT 9
Large motion 360°, ceiling	nCM 10 / nCM PDT 10
Wide View	nWV 16 / nWV PDT 16
Wall switch with raise/lower	nWSX LV DX / nWSX PDT LV DX
Cat-5 Cables (plenum rated)	
10', CAT5	CAT5 10FT J1
15', CAT5	CAT5 15FT J1