

FEATURES & SPECIFICATIONS

INTENDED USE

Combination emergency lighting unit and exit. Suitable for illuminating the path of egress and for marking the means of egress in accordance with NFPA 101 (current Life Safety Code). **Certain airborne contaminants can diminish the integrity of acrylic and/or polycarbonate.** [Click here for Acrylic-Polycarbonate Compatibility table for suitable uses.](#)

CONSTRUCTION — Engineering grade injection-molded, 5VA flame-retardant, high-impact resistant, thermoplastic housing with snap-fit design components for easy installation. Field selectable direction, comes fully packaged with right arrow, left arrow, and pictogram only face plates. Adjustable LED lamp heads allows for optimal spacing.

OPTICS — Ultra bright LEDs mounted on printed circuit boards. Low energy consumption. LED lamp operates in normal (AC input) and emergency (DC input) modes. Uniform illumination without shadows or hot spots. The typical life of the LED lamp is 10 years. Two 1W LED lamps for emergency light.

ELECTRICAL — Dual voltage input capability (120/347V), 50/60 Hz.

Battery: Sealed, maintenance-free nickel-cadmium battery delivers a minimum of 90 minutes of illumination. High output (HO) option provides up to 3W of LED remote capacity.

Self-diagnostics: Performs monthly 30 second, bi-monthly 30 minute and annual 90 minute testing with multi-status diagnostic functions.

Automatic solid-state charger initiates battery charging, maximizes battery life and automatically recharges after battery discharge.

INSTALLATION — Universal (top-, end-, or back-) mounting. Easily removed mounting knockouts. J-box pattern on back panel. Housing snaps to canopy with four positive-locking tabs. Ships standard with additional face plates.

LISTINGS — CSA certified to US and Canadian standards. CSA listed for damp location 0°C to 50°C (32°F to 122°F). Meets CSA C22.2 No. 141.15. Meets CSA C860. Meets UL 924, NFPA 101 (current Life Safety Code), NFPA 70-NEC, FCC Title 47, Part 15, Subpart B and OSHA illumination standards.

WARRANTY — 5-year limited warranty. (Battery is prorated.) Complete warranty terms located at: www.acuitybrands.com/CustomerResources/Terms_and_conditions.aspx

NOTE: Actual performance may differ as a result of end-user environment and application. All values are design or typical values, measured under laboratory conditions at 25°C. Specifications subject to change without notice.

Catalog Number
Notes
Type

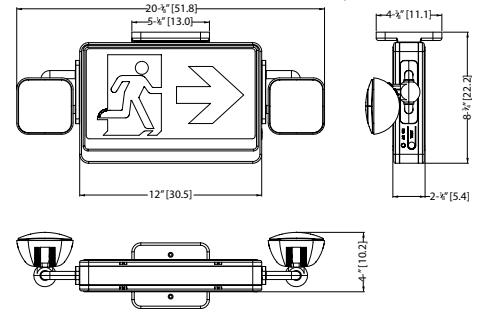
ECRM Running Man LED Combo Unit



Specifications

- Length: 20.375 (51.8)
- Depth: 2.125 (5.4)
- Height: 8.75 (22.23)
- Weight (fixture only):
 - Standard - 3.5 lbs (1.58 kgs)
 - HO - 3.75 lbs (1.70 kgs)

All dimensions are inches (centimeters) unless otherwise specified.



ORDERING INFORMATION		For shortest lead times, configure product using bolded options .		Example: ECRM W
Family	Housing color	Input voltage	Options	
ECRM	W Ivory white B Black	(blank) 120/347V dual voltage	(blank) None HO High-output NiCad battery SD Self-diagnostics	

Accessories: Order as separate catalog number.	
ELA WG3	Wireguard (back mount only) ¹
ERE W SGL SQ M12	Single, LED indoor remote head, square, ivory white, .75W, 3.6V-12V voltage sensing ²
ERE W T SQ M12	Twin, LED indoor remote head, square, ivory white, 1.5W, 3.6V-12V voltage sensing ²
ERE GY SGL WP SQ M12	Single, LED weather-proof remote head, square, gray, 1W, 3.6V-12V voltage sensing ²
ERE GY T WP SQ M12	Twin, LED weather-proof remote head, square, gray, 2W, 3.6V-12V voltage sensing ²
ERE W SGL SD SQ M12	Single, LED indoor remote head, square, ivory white, self diagnostics compatible, .75W, 3.6V-12V voltage sensing ³
ERE W T SD SQ M12	Twin, LED indoor remote head, square, ivory white, self diagnostics compatible, 1.5W, 3.6V-12V voltage sensing ³
ERE GY SGL SD WP SQ M12	Single, LED weather-proof remote head, square, gray, self diagnostics compatible, 1W, 3.6V-12V voltage sensing ³
ERE GY T SD WP SQ M12	Twin, LED weather-proof remote head, square, gray, self diagnostics compatible, 2W, 3.6V-12V voltage sensing ³

Notes

- 1 See spec sheet [ELA-WG](#).
- 2 See spec sheet [ERE](#)
- 3 Only available with SD option

ECRM Running Man Combo

SPECIFICATIONS

Electrical Primary Circuit				
	Typical LED life ¹	Supply Voltage	Max Amps	Max Watts
White LED	10 years	120	0.04	4.4
		347	0.01	4.4

BATTERY				
Nickel Cadmium				
Voltage	Typical shelf life ²	Typical life ³	Maintenance ³	Temperature range ³
9.6	3 years	7-9 years	none	32°F - 122°F (0°C - 50°C)

Notes

- Based on continuous operation. The typical life of the exit LED lamp is 10 years.
- At 77°F (25°C).
- All life safety equipment, including emergency lighting for path of egress must be maintained, serviced and tested in accordance with all National Fire Protection Association (NFPA) and local codes. Failure to perform the required maintenance, service, or testing could jeopardize the safety of occupants and will void all warranties.
- Optimum ambient temperature range where unit will provide capacity for 90 minutes. Higher and lower temperatures affect life and capacity.

Battery	Remote Capacity*	Maximum # Remote Capacity Lamp Heads*
9.6V	3W	4 - ERE W SGL SQ M12
		2 - ERE W T SQ M12
		3 - ERE GY SGL WP SQ M12
		1 - ERE GY T WP SQ M12
		4 - ERE W SGL SD SQ M12**
		2 - ERE W T SD SQ M12**
		3 - ERE GY SGL SD WP SQ M12**
1 - ERE GY T SD WP SQ M12**		

* These are in addition to the lamp heads on the product

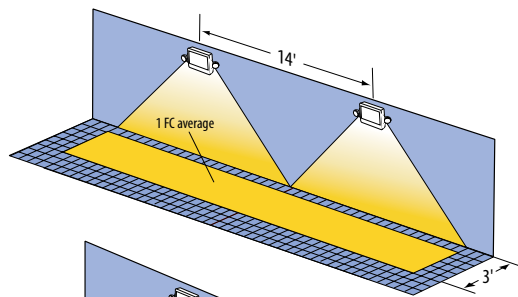
**Only available with SD option

SPACING GUIDELINES

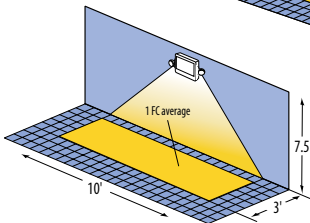
Maximum Spacing Guidelines - ECRM ¹						
Mounting Height	Illumination Level	Single Luminaire		Multiple Luminaires		Application Notes
		3' Path of Egress	6' Path of Egress	3' Path of Egress	6' Path of Egress	
7.5'	1FC Avg	10'	6'	14'	11'	"100' Corridor 8' wide, and 9' high with 80/50/20 reflectances"

Notes:

- Also meets the additional illumination requirements of NFPA 101: 1FC minimum and max/min ratio of 40:1.



Example of multiple ECRM luminaires illuminating a 3' path of egress.



Example of single ECRM illuminating a 3' path of egress.